

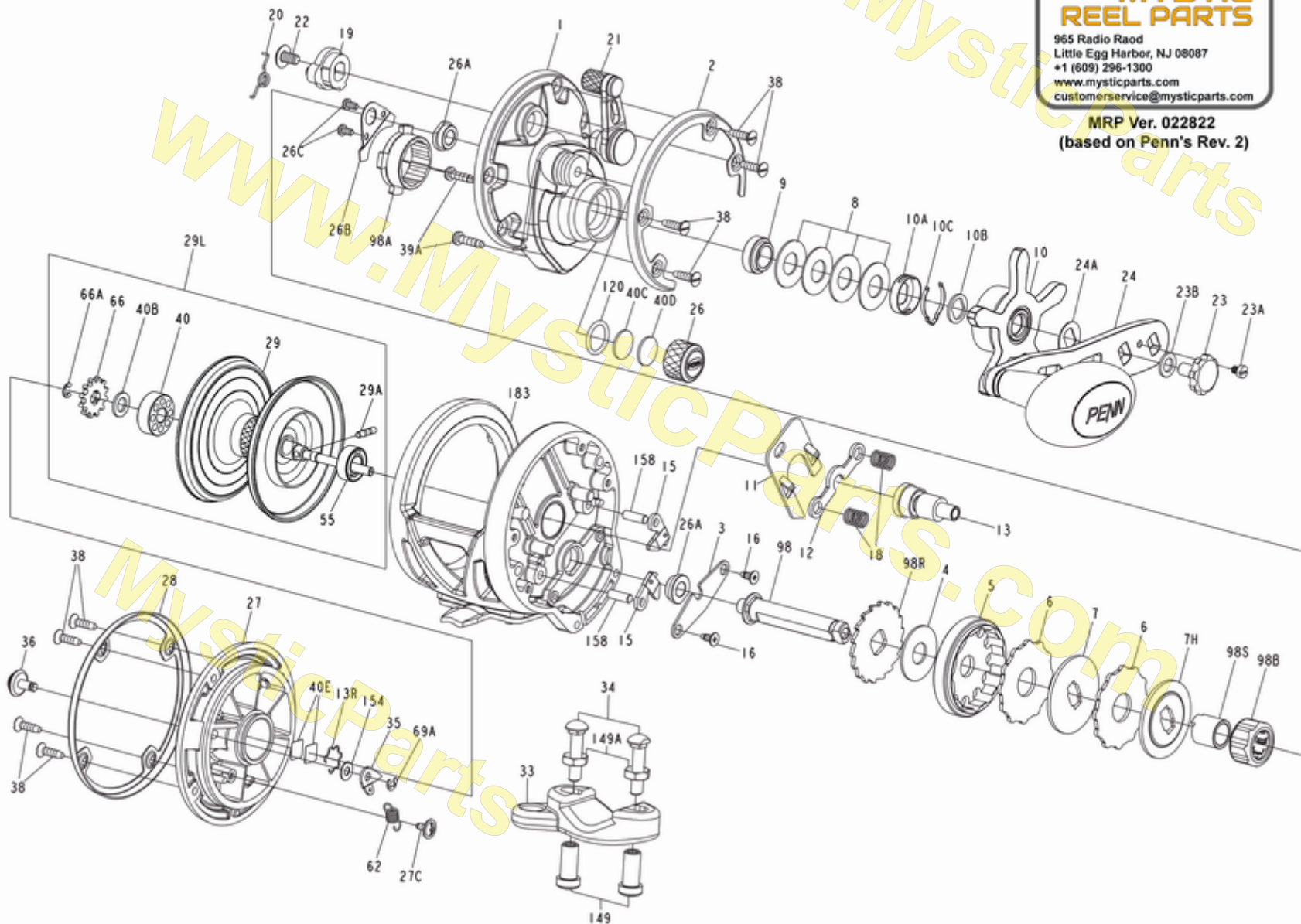


PARTS LIST FOR WAR20N

REEL ASM. Nos. 1366200(WAR20N)

mysticparts.com
MYSTIC REEL PARTS
965 Radio Raod
Little Egg Harbor, NJ 08087
+1 (609) 296-1300
www.mysticparts.com
customerservice@mysticparts.com

MRP Ver. 022822
(based on Penn's Rev. 2)



Penn Reel Parts list for Model: Warfare WAR20N STAR DRAG

KEY #	PUREFISHING #	PENN PART #	DESCRIPTION	KEY #	PUREFISHING #	PENN PART #	DESCRIPTION
1	1383108	1-WAR20N	HANDLE SIDE PLATE ASSEMBLY	24A	1383020	24A-WAR15LW	HANDLE THRUST WASHER
2	1383110	2-WAR20N	RING, HANDLE SIDE	26	1383021	26-WAR15LW	SPOOL TENSION CONTROL CAP
3	1384179	3-WAR15LW	BRIDGE	26A ** SEE NOTES PAGE 3			
4	1382976	4-WAR15LW	DRAG WASHER, HT100	26B	1383023	26B-WAR15LW	CLUTCH RETAINER
5	1382977	5-WAR15LW	MAIN GEAR	26C	1383024	26C-WAR15LW	SCREW, FOR CLUTCH RETAINER (2 REQUIRED)
6	1382978	6-WAR15LW	DRAG WASHER, HT100, EARRD (2 REQUIRED)	27	1383111	27-WAR20N	NON-HANDLE SIDE PLATE
7	1382999	7-WAR15LW	KEYED METAL DRAG WASHER	27C	1384185	27C-WAR20N	SCREW
7H	1383000	7H-WAR15LW	HEAVY METAL DRAG WASHER	28	1383114	28-WAR20N	RING, NON HANDLE SIDE
8	1383001	8-WAR15LW	SPRING WASHER (4 REQUIRED)	29	1383115	29-WAR20N	SPOOL
9	1384180	9-WAR15LW	SPACING SLEEVE	29A ** SEE NOTES PAGE 3			
10	1383002	10-WAR15LW	STAR DRAG	29L	1383117	29L-WAR20N	SPOOL ASSEMBLY
10A	1383003	10A-WAR15LW	STAR CLICK RETAINER	33	1182754	33N-113	CLAMP, GRAPHITE WITH RING
10B	1383004	10B-WAR15LW	STAR CLICK WASHER	33C	1182773	33C-113	CLAMP KIT WITH STUDS AND NUTS
10C	1383005	10C-WAR15LW	STAR CLICK SPRING	34	1182788	34-45	STUD (2 REQUIRED)
11	1383104	11-WAR30LW	ECCENTRIC JACK	34C	1182862	34C-45	STUD WITH TWO NUTS (2 REQUIRED)
12	1383007	12-WAR15LW	PINION YOKE	35	1383037	35-WAR15LW	CLICK TONGUE
13	1497832	13-WAR20N	PINION	36 ** SEE NOTES PAGE 3			
13R	1384184	13R-WAR20N	RETAINER RING	38	1383039	38-WAR15LW	SCREW (5 REQUIRED)
15	1383009	15-WAR15LW	ANTI-REVERSE DOG (2 REQUIRED)	39A	1383041	39A-WAR15LW	SCREW (2 REQUIRED)
16	1383010	16-WAR15LW	SCREW, FOR BRIDGE (2 REQUIRED)	40	1451534	40WAR30LW	BALL BEARING
18	1383011	18-WAR15LW	PINION YOKE SPRING (2 REQUIRED)	40B	1383044	40B-WAR15LW	PLASTIC WASHER*
19	1383012	19-WAR15LW	ECCENTRIC	40C	1383045	40C-WAR15LW	WASHER, ACETAL THRUST
20	1383013	20-WAR15LW	ECCENTRIC SPRING	40D	1383046	40D-WAR15LW	WASHER, RUBBER THRUST
21	1383106	21-WAR30LW	ECCENTRIC LEVER	40E	1383047	40E-WAR15LW	THRUSH WASHER
22	1383015	22-WAR15LW	ECCENTRIC SCREW	55 ** SEE NOTES PAGE 3			
23	1383016	23-WAR15LW	HANDLE ASSEMBLY SCREW	62*	1383061	62-WAR15LW	BUSHING
23A	1383017	23A-WAR15LW	HANDLE LOCK SCREW	66	1383290	66-WAR30LW	CLICK RATCHET
23B	1383018	23B-WAR15LW	HANDLE SCREW WASHER	69A	1383065	69-WAR15LW	RETAINER RING
24	1383019	24-WAR15LW	HANDLE ASSEMBLY				

KEY #	PUREFISHING #	PENN PART #	DESCRIPTION
69A	1383066	69A-WAR15LW	RETAINER RING (2 REQUIRED)
98	1383119	98-WAR20N	MAIN GEAR SHAFT
98A	1383068	98A-WAR15LW	CLUTCH HOUSING
98B	1384182	98B-WAR15LW	CLUTCH (SHARP EDGE FACES TOWARDS SPOOL)
98R	1383069	98R-WAR15LW	ANTI REVERSE RATCHET
98S	1383070	98S-WAR15LW	CLUTCH SLEEVE

KEY #	PUREFISHING #	PENN PART #	DESCRIPTION
120	1383071	120-WAR15LW	O-RING
149	1184702	149-45	ROD CLAMP NUT (2 REQUIRED)
149A	1184706	149-200	HEX NUT (2 REQUIRED)
154*	1383077	154-WAR15LW	CLICK BUTTON WASHER
158	1383078	158-WAR15LW	DOG PIN (2 REQUIRED)
183	1383120	183-WAR20N	FRAME ASSEMBLY

ERRORS/CORRECTIONS/NOTES:

* 62 - HAD TWO KINDS 7 COIL AND 5 COIL, SEEMED RANDOM

*40B rev.0 of schematic said felt, but what was in the reels were plastic

*154 This washer shows on the schematic, but was not found in the first run WAR20N or WAR30 we examined

CLICK BUTTON ISSUE ON PENN SCHEMATICS FOR WAR20N AND WAR30 REELS

36**	1488312	36-WAR20N	CLICK BUTTON	rev 1-16-2018	36-WAR20N matches what we found in the WAR20N and WAR30 reels**
36	1383038	36-WAR15LW	CLICK BUTTON (INCORRECT!!!!)	: rev 6-4-2018	The LW button is NOT correct for these two reels.

SPOOL BEARING AND PIN

55	1451533	55-WAR15LW	BEARING (ATTACHED TO SPOOL SHAFT)
NOTE	1191256	20-1000AF	BEARING (ATTACHED TO SPOOL SHAFT) * old key#20A (CAN BE USED IF THE 55 PART IS NOT AVAILABLE)
			We originally used 20-1000AF as the spool bearing, which wasn't on the Penn Rev0 schematic, but we now have the correct # 55-WAR15LW
29A	1451532	29A-WAR15LW	PIN TO HOLD IN SPOOL BEARING

HOUSING BUSHING

26A	1383022	26A-WAR15LW	HOUSING BUSHING	Penn's Rev 2 6-4-2018 IS CORRECT PART
41	1383048	41-WAR15LW	BUSHING (INCORRECT PART ON PENN'S REV 0)	

MYSTIC REEL PARTS REVISION!

NOTE:

Many of www.mysticparts.com schematics include changes that were either made by Penn, or errors found and corrected by our parts dept.

MRP Ver. 022822 (based on Penn's Rev. 2 6-4-2018)