

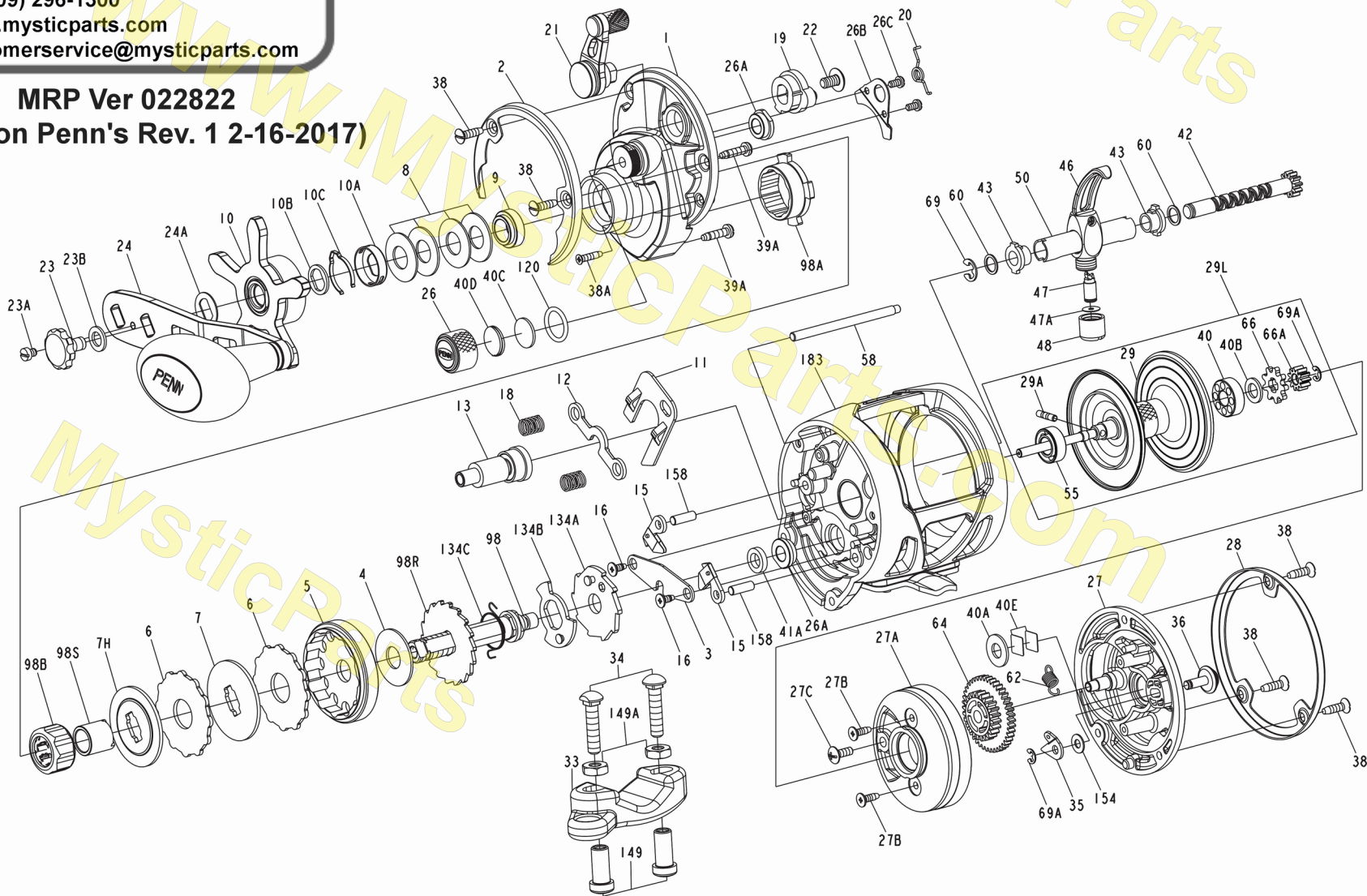


965 Radio Raod
Little Egg Harbor, NJ 08087
+1 (609) 296-1300
www.mysticparts.com
customerservice@mysticparts.com



PARTS LIST FOR WAR20LWLH REEL ASM. No. 1366192(WAR20LWLH)

MRP Ver 022822
(based on Penn's Rev. 1 2-16-2017)



Penn Reel Parts list for Model: Warfare Levelwind WAR20LWLH (LEFT HANDED)

| <u>KEY #</u> | <u>PUREFISHING #</u> | <u>PENN PART #</u> | <u>DESCRIPTION</u> | <u>KEY #</u> | <u>PUREFISHING #</u> | <u>PENN PART #</u> | <u>DESCRIPTION</u> |
|--------------|----------------------|--------------------|---|--------------|----------------------|--------------------|---|
| 1 | 1383089 | 1-WAR20LWLH | HANDLE SIDE PLATE ASSEMBLY | 29A ** | SEE NOTES PAGE 3 | | |
| 2 | 1382975 | 2-WAR15LW | RING, HANDLE SIDE | 29 | 1383032 | 29-WAR20LW | SPOOL |
| 3 | 1384179 | 3-WAR15LW | BRIDGE | 29L | 1383034 | 29L-WAR20LW | SPOOL ASSEMBLY |
| 4 | 1382976 | 4-WAR15LW | DRAG WASHER, HT100 | 33 | 1182754 | 33N-113 | CLAMP, GRAPHITE WITH RING |
| 5 | 1383090 | 5-WAR15LWLH | MAIN GEAR | 33C | 1182773 | 33C-113 | CLAMP KIT WITH STUDS AND NUTS |
| 6 | 1382978 | 6-WAR15LW | DRAG WASHER, HT100, EARED (2 REQUIRED) | 34 | 1182788 | 34-45 | STUD (2 REQUIRED) |
| 7 | 1382999 | 7-WAR15LW | KEYED METAL DRAG WASHER | 34C | 1182862 | 34C-45 | STUD WITH TWO NUTS (2 REQUIRED) |
| 7H | 1383000 | 7H-WAR15LW | HEAVY METAL DRAG WASHER | 35 | 1383037 | 35-WAR15LW | CLICK TONGUE |
| 8 | 1383001 | 8-WAR15LW | SPRING WASHER (4 REQUIRED) | 36 | 1383038 | 36-WAR15LW | CLICK BUTTON |
| 9 | 1384180 | 9-WAR15LW | SPACING SLEEVE | 38 | 1383039 | 38-WAR15LW | SCREW (5 REQUIRED) |
| 10 | 1383091 | 10-WAR15LWLH | STAR DRAG | 38A | 1383040 | 38A-WAR15LW | SCREW |
| 10A | 1383003 | 10A-WAR15LW | STAR CLICK RETAINER | 39A | 1383041 | 39A-WAR15LW | SCREW (2 REQUIRED) |
| 10B | 1383004 | 10B-WAR15LW | STAR CLICK WASHER | 40 | 1383042 | 40-WAR15LW | BALL BEARING, SPOOL, OUTER, NON HANDLE SIDE |
| 10C | 1383005 | 10C-WAR15LW | STAR CLICK SPRING | 40A | 1383043 | 40A-WAR15LW | WASHER |
| 11 | 1383092 | 11--WAR15LWLH | ECCENTRIC JACK | 40B | 1383044 | 40B-WAR15LW | PLASTIC WASHER* |
| 12 | 1383007 | 12-WAR15LW | PINION YOKE | 40C | 1383045 | 40C-WAR15LW | WASHER, ACETAL THRUST |
| 13 | 1383275 | 13-WAR15LWLH | PINION | 40D | 1383046 | 40D-WAR15LW | WASHER, RUBBER THRUST |
| 15 | 1383276 | 15-WAR15LWLH | ANTI-REVERSE DOG (2 REQUIRED) | 40E | 1383047 | 40E-WAR15LW | THRUSH WASHER (2 REQUIRED) |
| 16 | 1383010 | 16-WAR15LW | SCREW, FOR BRIDGE (2 REQUIRED) | 41A | 1384181 | 41A-WAR15LW | BUSHING |
| 18 | 1383011 | 18-WAR15LW | PINION YOKE SPRING (2 REQUIRED) | 42 | 1383050 | 42-WAR20LW | WORM SHAFT ASSEMBLY |
| 19 | 1383093 | 19-WAR15LWLH | ECCENTRIC | 43 | 1383051 | 43-WAR15LW | WORM SHAFT BUSHING (2 REQUIRED) |
| 20 | 1446771 | 20-WAR15LWLH | ECCENTRIC SPRING | 46 | 1383052 | 46-WAR15LW | LINE GUIDE ASSEMBLY |
| 21 | 1383014 | 21-WAR15LW | ECCENTRIC LEVER | 47 | 1383053 | 47-WAR15LW | LINE GUIDE PAWL |
| 22 | 1383015 | 22-WAR15LW | ECCENTRIC SCREW | 47A | 1383054 | 47A-WAR15LW | PAWL SHIM |
| 23 | 1383016 | 23-WAR15LW | HANDLE ASSEMBLY SCREW | 48 | 1383055 | 48-WAR15LW | LINE GUIDE NUT |
| 23A | 1383017 | 23A-WAR15LW | HANDLE LOCK SCREW | 50 | 1383057 | 50-WAR20LW | WORM SHIELD |
| 23B | 1383018 | 23B-WAR15LW | HANDLE SCREW WASHER | 55 ** | SEE NOTES PAGE 3 | | |
| 24 | 1383019 | 24-WAR15LW | HANDLE ASSEMBLY | 58 | 1383059 | 58-WAR20LW | LINE GUIDE POST |
| 24A | 1383020 | 24A-WAR15LW | HANDLE THRUST WASHER | 60 | 1383060 | 60-WAR15LW | WORM SHAFT WASHER (2 REQUIRED) |
| 26 | 1383021 | 26-WAR15LW | SPOOL TENSION CONTROL CAP | 62* | 1383061 | 62-WAR15LW | SPRING |
| 26A | 1383022 | 26A-WAR15LW | BUSHING (2 REQUIRED) (AKA old# 41-WAR15LW) | 64 | 1383062 | 64-WAR15LW | IDLER GEAR |
| 26B | 1383023 | 26B-WAR15LW | CLUTCH RETAINER | 66 | 1383063 | 66-WAR15LW | CLICK RATCHET |
| 26C | 1383024 | 26C-WAR15LW | SCREW, FOR CLUTCH RETAINER (2 REQUIRED) | 66A | 1383064 | 66A-WAR15LW | SPOOL GEAR |
| 27 | 1383278 | 27-WAR20LWLH | NON-HANDLE SIDE PLATE | 69 | 1383065 | 69-WAR15LW | RETAINER RING |
| 27A | 1383027 | 27A-WAR15LW | BEARING HOUSING | 69A | 1383066 | 69A-WAR15LW | RETAINER RING (2 REQUIRED) |
| 27B | 1383028 | 27B-WAR15LW | SCREW (2 REQUIRED) | 98 | 1383094 | 98-WAR15LWLH | MAIN GEAR SHAFT |
| 27C | 1383029 | 27C-WAR15LW | SCREW | 98A | 1383068 | 98A-WAR15LW | CLUTCH HOUSING |
| 28 | 1383030 | 28-WAR15LW | RING, NON HANDLE SIDE | | | | |

(cont'd)

| <u>KEY #</u> | <u>PUREFISHING #</u> | <u>PENN PART #</u> | <u>DESCRIPTION</u> | <u>KEY #</u> | <u>PUREFISHING #</u> | <u>PENN PART #</u> | <u>DESCRIPTION</u> |
|--------------|----------------------|--------------------|--|--------------|----------------------|--------------------|----------------------------|
| 98B | 1384182 | 98B-WAR15LW | CLUTCH (SHARP EDGE FACES TOWARDS HANDLE) | 134C | 1383097 | 134C-WAR15LWLH | CLUTCH RECOVER SPRING |
| 98R | 1383069 | 98R-WAR15LW | ANTI REVERSE RATCHET | 149 | 1184702 | 149-45 | ROD CLAMP NUT (2 REQUIRED) |
| 98S | 1383070 | 98S-WAR15LW | CLUTCH SLEEVE | 149A | 1184706 | 149-200 | HEX NUT (2 REQUIRED) |
| 120 | 1383071 | 120-WAR15LW | O-RING | 154 | 1383077 | 154-WAR15LW | CLICK BUTTON WASHER |
| 134A | 1383095 | 134A-WAR15LWLH | CLUTCH RECOVER PLATE | 158 | 1383078 | 158-WAR15LW | DOG PIN (2 REQUIRED) |
| | | | | 183 | 1383280 | 183-WAR20LWLH | FRAME ASSEMBLY |

134B ** SEE NOTES PAGE 3

ERRORS/CORRECTIONS/NOTES:

* 62 - HAD TWO KINDS 7 COIL AND 5 COIL, SEEMED RANDOM

*40B rev.0 of schematic said felt, but what was in the reels were plastic

SPOOL BEARING AND PIN

| | | | |
|--|---------|-------------|---|
| 55 | 1451533 | 55-WAR15LW | BEARING (ATTACHED TO SPOOL SHAFT) |
| NOTE | 1191256 | 20-1000AF | BEARING (ATTACHED TO SPOOL SHAFT) * old key#20A (CAN BE USED IF THE 55 PART IS NOT AVAILABLE) |
| <i>which wasn't on the Penn Rev0 schematic, but we now have the correct # 55-WAR15LW</i> | | | |
| 29A | 1451532 | 29A-WAR15LW | PIN TO HOLD IN SPOOL BEARING |

SAME AS

| | | | | |
|------|---------|----------------|------------------------------|---|
| 134B | 1383096 | 134B-WAR15LWLH | CLUTCH RECOVER SUPPORT PLATE | Originally noted as an (LEFT HANDED) part |
| * | 1383073 | 134B-WAR15LW | CLUTCH RECOVER SUPPORT PLATE | but it is the SAME AS the standard part |

MYSTIC REEL PARTS REVISION!

NOTE:

Many of www.mysticparts.com schematics include changes that were either made by Penn, or errors found and corrected by our parts dept.

MRP Ver 022822 (based on Penn's Rev. 1 2-16-2017)