



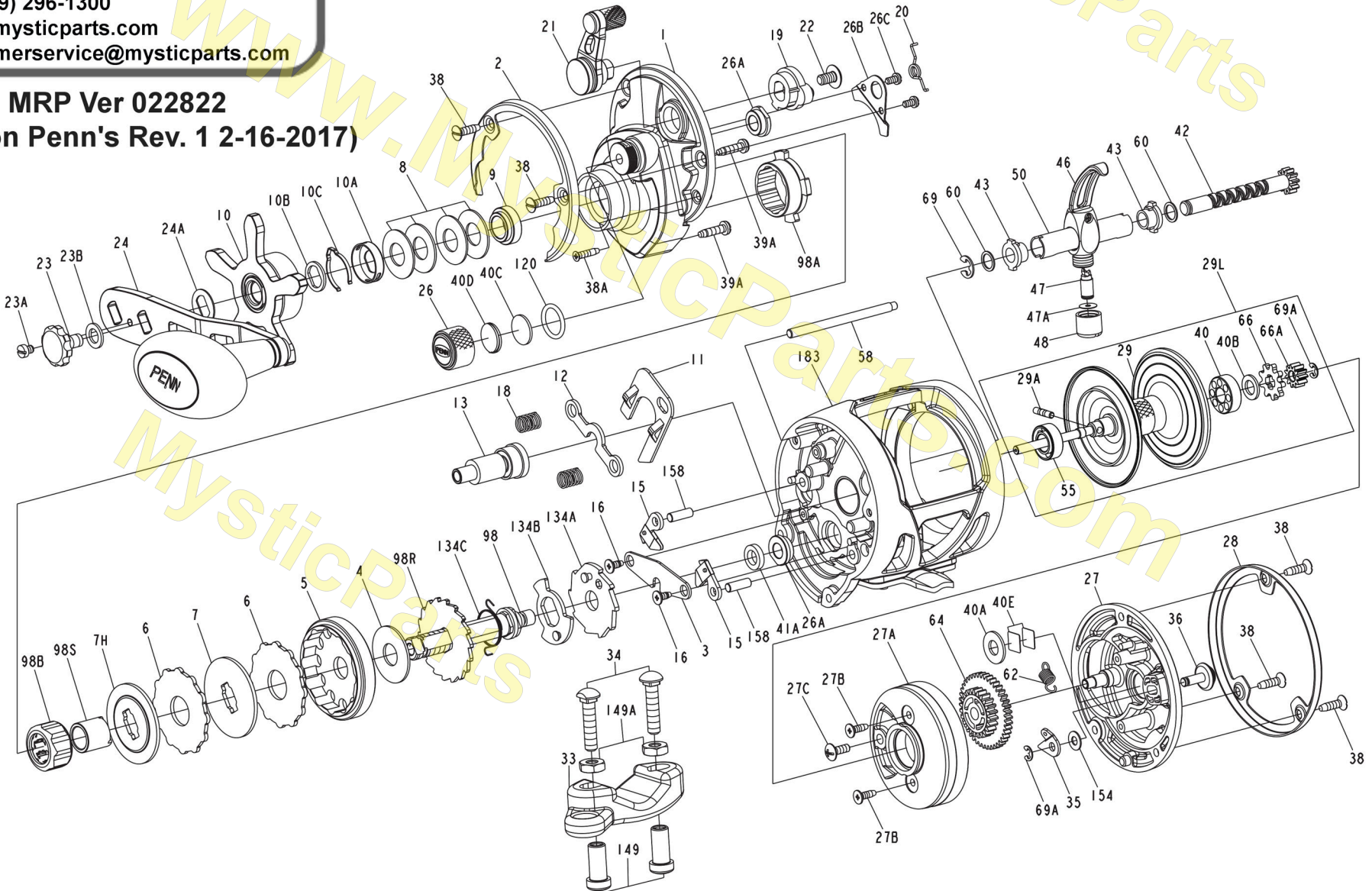
mysticparts.com

**MYSTIC  
REEL PARTS**

965 Radio Raod  
Little Egg Harbor, NJ 08087  
+1 (609) 296-1300  
www.mysticparts.com  
customerservice@mysticparts.com



**PARTS LIST FOR WAR15LWLH  
REEL ASM. No. 1366187(WAR15LWLH)**



**MRP Ver 022822**

**(based on Penn's Rev. 1 2-16-2017)**

Penn Reel Parts list for Model: Warfare Levelwind WAR15LWLH (LEFT HANDED)

KEY #	PUREFISHING #	PENN PART #	DESCRIPTION	KEY #	PUREFISHING #	PENN PART #	DESCRIPTION
1	1383088	1-WAR15LWLH	HANDLE SIDE PLATE ASSEMBLY	<b>29A ** SEE NOTES PAGE 3</b>			
2	1382975	2-WAR15LW	RING, HANDLE SIDE	29	1383031	29-WAR15LW	SPOOL
3	1384179	3-WAR15LW	BRIDGE	29L	1383033	29L-WAR15LW	SPOOL ASSEMBLY
4	1382976	4-WAR15LW	DRAG WASHER, HT100	33	1182754	33N-113	CLAMP, GRAPHITE WITH RING
5	1383090	5-WAR15LWLH	MAIN GEAR	33C	1182773	33C-113	CLAMP KIT WITH STUDS AND NUTS
6	1382978	6-WAR15LW	DRAG WASHER, HT100, EARRD (2 REQUIRED)	34	1182788	34-45	STUD (2 REQUIRED)
7	1382999	7-WAR15LW	KEYED METAL DRAG WASHER	34C	1182862	34C-45	STUD WITH TWO NUTS (2 REQUIRED)
7H	1383000	7H-WAR15LW	HEAVY METAL DRAG WASHER	35	1383037	35-WAR15LW	CLICK TONGUE
8	1383001	8-WAR15LW	SPRING WASHER (4 REQUIRED)	36	1383038	36-WAR15LW	CLICK BUTTON
9	1384180	9-WAR15LW	SPACING SLEEVE	38	1383039	38-WAR15LW	SCREW (5 REQUIRED)
10	1383091	10-WAR15LWLH	STAR DRAG	38A	1383040	38A-WAR15LW	SCREW
10A	1383003	10A-WAR15LW	STAR CLICK RETAINER	39A	1383041	39A-WAR15LW	SCREW (2 REQUIRED)
10B	1383004	10B-WAR15LW	STAR CLICK WASHER	40	1383042	40-WAR15LW	BALL BEARING, SPOOL, OUTER, NON HANDLE SIDE
10C	1383005	10C-WAR15LW	STAR CLICK SPRING	40A	1383043	40A-WAR15LW	WASHER
11	1383092	11--WAR15LWLH	ECCENTRIC JACK	40B	1383044	40B-WAR15LW	PLASTIC WASHER*
12	1383007	12-WAR15LW	PINION YOKE	40C	1383045	40C-WAR15LW	WASHER, ACETAL THRUST
13	1383275	13-WAR15LWLH	PINION	40D	1383046	40D-WAR15LW	WASHER, RUBBER THRUST
15	1383276	15-WAR15LWLH	ANTI-REVERSE DOG (2 REQUIRED)	40E	1383047	40E-WAR15LW	THRUSH WASHER (2 REQUIRED)
16	1383010	16-WAR15LW	SCREW, FOR BRIDGE (2 REQUIRED)	41A	1384181	41A-WAR15LW	BUSHING
18	1383011	18-WAR15LW	PINION YOKE SPRING (2 REQUIRED)	42	1383049	42-WAR15LW	WORM SHAFT ASSEMBLY
19	1383093	19-WAR15LWLH	ECCENTRIC	43	1383051	43-WAR15LW	WORM SHAFT BUSHING (2 REQUIRED)
20	1446771	20-WAR15LWLH	ECCENTRIC SPRING	46	1383052	46-WAR15LW	LINE GUIDE ASSEMBLY
21	1383014	21-WAR15LW	ECCENTRIC LEVER	47	1383053	47-WAR15LW	LINE GUIDE PAWL
22	1383015	22-WAR15LW	ECCENTRIC SCREW	47A	1383054	47A-WAR15LW	PAWL SHIM
23	1383016	23-WAR15LW	HANDLE ASSEMBLY SCREW	48	1383055	48-WAR15LW	LINE GUIDE NUT
23A	1383017	23A-WAR15LW	HANDLE LOCK SCREW	50	1383056	50-WAR15LW	WORM SHIELD
23B	1383018	23B-WAR15LW	HANDLE SCREW WASHER	<b>55 ** SEE NOTES PAGE 3</b>			
24	1383019	24-WAR15LW	HANDLE ASSEMBLY	58	1383058	58-WAR15LW	LINE GUIDE POST
24A	1383020	24A-WAR15LW	HANDLE THRUST WASHER	60	1383060	60-WAR15LW	WORM SHAFT WASHER (2 REQUIRED)
26	1383021	26-WAR15LW	SPOOL TENSION CONTROL CAP	62*	1383061	62-WAR15LW	SPRING
<b>26A</b>	<b>1383022</b>	<b>26A-WAR15LW</b>	<b>BUSHING (2 REQUIRED) (AKA old# 41-WAR15LW)</b>	64	1383062	64-WAR15LW	IDLER GEAR
26B	1383023	26B-WAR15LW	CLUTCH RETAINER	66	1383063	66-WAR15LW	CLICK RATCHET
26C	1383024	26C-WAR15LW	SCREW, FOR CLUTCH RETAINER (2 REQUIRED)	66A	1383064	66A-WAR15LW	SPOOL GEAR
27	1383277	27-WAR15LWLH	NON-HANDLE SIDE PLATE	69	1383065	69-WAR15LW	RETAINER RING
27A	1383027	27A-WAR15LW	BEARING HOUSING	69A	1383066	69A-WAR15LW	RETAINER RING (2 REQUIRED)
27B	1383028	27B-WAR15LW	SCREW (2 REQUIRED)	98	1383094	98-WAR15LWLH	MAIN GEAR SHAFT
27C	1383029	27C-WAR15LW	SCREW	98A	1383068	98A-WAR15LW	CLUTCH HOUSING
28	1383030	28-WAR15LW	RING, NON HANDLE SIDE				

(cont'd)

KEY #	PUREFISHING #	PENN PART #	DESCRIPTION
98B	1384182	98B-WAR15LW	CLUTCH (SHARP EDGE FACES TOWARDS HANDLE)
98R	1383069	98R-WAR15LW	ANTI REVERSE RATCHET
98S	1383070	98S-WAR15LW	CLUTCH SLEEVE
120	1383071	120-WAR15LW	O-RING
134A	1383095	134A-WAR15LWLH	CLUTCH RECOVER PLATE

134B \*\* SEE NOTES PAGE 3

KEY #	PUREFISHING #	PENN PART #	DESCRIPTION
134C	1383097	134C-WAR15LWLH	CLUTCH RECOVER SPRING
149	1184702	149-45	ROD CLAMP NUT (2 REQUIRED)
149A	1184706	149-200	HEX NUT (2 REQUIRED)
154	1383077	154-WAR15LW	CLICK BUTTON WASHER
158	1383078	158-WAR15LW	DOG PIN (2 REQUIRED)
183	1383079	183-WAR15LW	FRAME ASSEMBLY

### ERRORS/CORRECTIONS/NOTES:

\* 62 - HAD TWO KINDS 7 COIL AND 5 COIL, SEEMED RANDOM

\*40B rev.0 of schematic said felt, but what was in the reels were plastic

### SPOOL BEARING AND PIN

55	1451533	55-WAR15LW	BEARING (ATTACHED TO SPOOL SHAFT)
NOTE	1191256	20-1000AF	BEARING (ATTACHED TO SPOOL SHAFT) * old key#20A (CAN BE USED IF THE 55 PART IS NOT AVAILABLE)
<i>We originally used 20-1000AF as the spool bearing, which wasn't on the Penn Rev0 schematic, but we now have the correct # 55-WAR15LW</i>			
29A	1451532	29A-WAR15LW	PIN TO HOLD IN SPOOL BEARING

### SAME AS

134B	1383096	134B-WAR15LWLH	CLUTCH RECOVER SUPPORT PLATE	Originally noted as an (LEFT HANDED) part
*	1383073	134B-WAR15LW	CLUTCH RECOVER SUPPORT PLATE	but it is the SAME AS the standard part

### MYSTIC REEL PARTS REVISION!

NOTE:

Many of [www.mysticparts.com](http://www.mysticparts.com) schematics include changes that were either made by Penn, or errors found and corrected by our parts dept.

MRP Ver 022822 (based on Penn's Rev. 1 2-16-2017)