



mysticparts.com

MYSTIC REEL PARTS

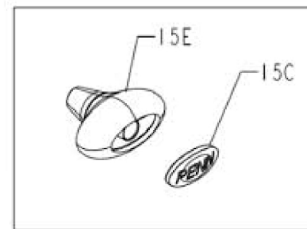
965 Radio Road
Little Egg Harbor, NJ 08087
1-609-296-1300
mail@mysticparts.com



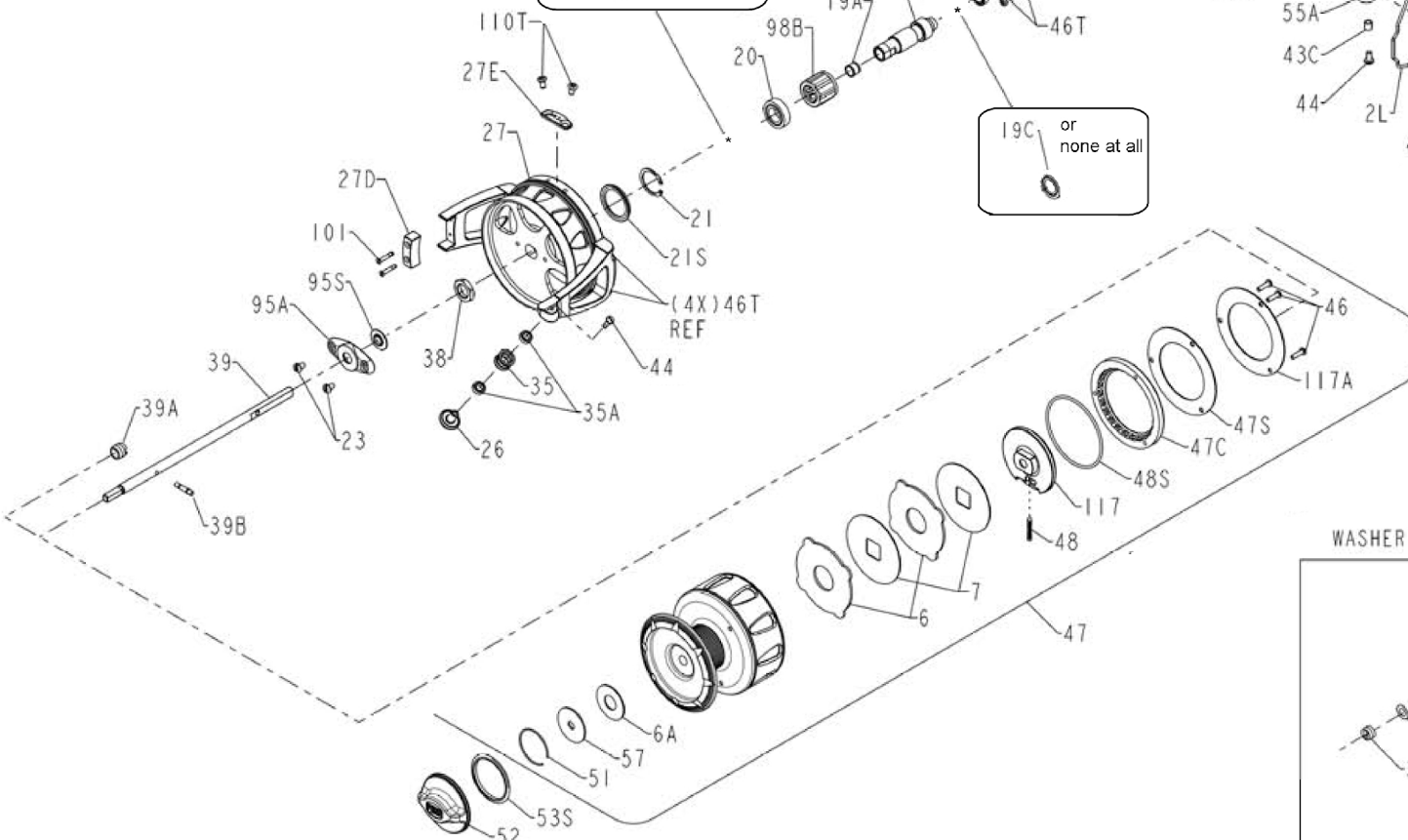
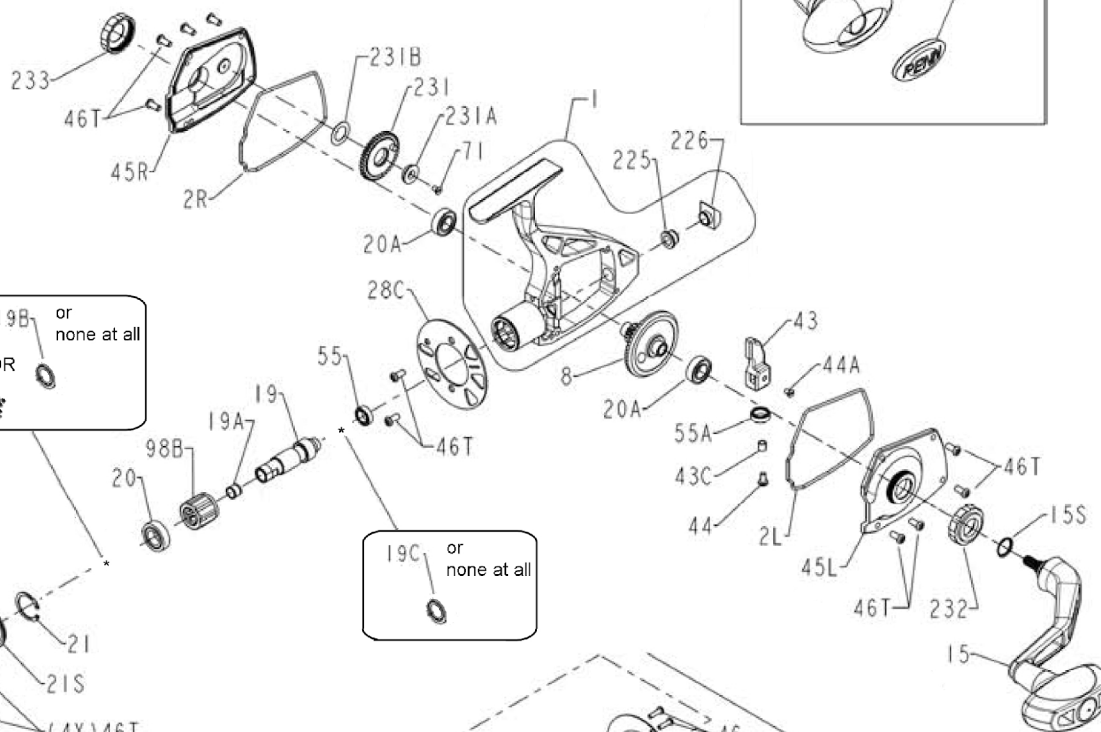
PARTS LIST FOR MODELS TRQS5-BBLS (Bailless Rotor)

REEL PART NO. 1227748

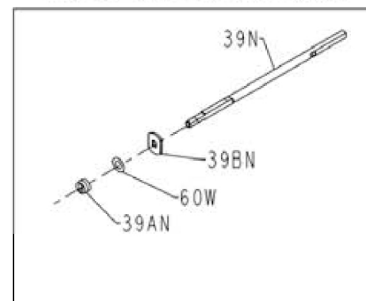
POWER KNOB (OPTIONAL)



MRP Ver. 060318
(based on Penn's Rev. 5 2-1-13)



WASHER STYLE SPOOL SHAFT



Penn Reel Parts list for Model: TRQS5-BBLS (BAILESS ROTOR - BLACK ONLY)

| KEY NO | Penn Part # | PureFishing Part # | DESCRIPTION | KEY NO | Penn Part # | PureFishing Part # | DESCRIPTION |
|------------|-----------------|--------------------|-------------------------------------|------------|-----------------|--------------------|--------------------------------|
| 1 | 1-TSR5B | 1200362 | HOUSING ARM (BLACK) | 45R | 45R-TS5B | 1200391 | R.S. COVER (BLACK) |
| 2L | 2L-TS5 | 1200364 | LEFT HOUSING GASKET | 46 | 46-4300 | 1183567 | DRIVE COVER SCREW (3 REQ) |
| 2R | 2R-TS5 | 1200365 | RIGHT HOUSING GASKET | 46T | 46T-TS7 | 1191914 | SCREW (14 REQ) |
| 6 | 6-5600 | 1180923 | EARRED DRAG WASHER (2 REQ) | 47 | 47-TS5B | 1200393 | SPOOL ASSEMBLY (BLACK) |
| 6A | 6-155 | 1180915 | DRAG WASHER | 47C | 47C-TS5 | 1200395 | DRAG COVER |
| 7 | 7-5600 | 1181019 | KEYED DRAG WASHER (2 REQ) | 47S | 47S-TS5 | 1200396 | DRAG SEAL |
| 8 | 8-TS5 | 1191026 | GEAR ASSEMBLY | 48 | 48-5600 | 1183710 | CLICK TONGUE ASSEMBLY |
| 15 | 15-TS5B | 1200366 | HANDLE ASM. (BLACK) | 48S | 48S-TS5 | 1211090 | O-RING |
| 15S | 15S-TS7 | 1200419 | HANDLE SEAL | 51 | 51-650 | 1183794 | SPRING RETAINER RING |
| 19 | 19-TS5 | 1200368 | PINION | 52 | 52-TS5B | 1200397 | DRAG KNOB ASM (BLACK) |
| 19A | 19A-TS5 | 1200369 | PINION BUSHING | 53S | 53S-TS7 | 1211093 | DRAG KNOB SEAL |
| 20 | 20-TS7 | 1191260 | PINION BALL BEARING | 55 | 55-TS5 | 1200399 | BALL BEARING |
| 20A | 20-TS5 | 1200370 | GEAR BALL BEARING (2 REQ) | 55A | 55A-TS5 | 1211094 | BALL BEARING |
| 21 | 21-TS7 | 1192641 | RETAINING RING | 57 | 57-5600 | 1183934 | DRAG (METAL, KEYED) WASHER |
| 21S | 21S-TS7 | 1191276 | ROTOR SEAL | 71 | 71-TS7 | 1200354 | FLAT HEAD SCREW |
| 26 | 26-TS5MB | 1191276 | ROLLER STUD BLS (BLACK) | 95A | 95A-TS7 | 1192704 | ROTOR NUT COVER |
| 27 | 27-TS5MB | 1200371 | ROTOR ASSEMBLY BLS (BLACK) | 95S | 95S-TS5 | 1200400 | SPOOL SHAFT SEAL |
| 27D | 27E-TS5M | 1225786 | BAILESS BALANCE WEIGHT BLS | 98B | 98B-750M | 1200401 | CLUTCH BEARING |
| 27E | 27E-TS5 | 1200373 | BALANCE WEIGHT | 101 | 101-TS5M | 1225783 | SCREW BLS (2 REQ) |
| 28C | 28C-TS5 | 1210097 | ROTOR FLANGE | 110T | 110T-50 | 1184449 | SCREW (2 REQ) |
| 35 | 35-TS5 | 1200382 | LINE ROLLER | 117 | 117-TS5 | 1242922 | DRIVE PLATE |
| 35A | 35A-TS5 | 1200383 | BALL BEARING (2 REQ) | 117A | 117A-TS5 | 1200402 | SEAL COVER |
| 38 | 38-9500 | 1183160 | ROTOR NUT | 225 | 225-TS5 | 1220403 | REAR BUSHING |
| 39 | 39-TS5 | 120385 | SPOOL SHAFT | 226 | 226-TS5 | 1200404 | REAR CAP |
| 39A | 39A-TS5 | 1205720 | LOCATING PIN SEAL | 231 | 231-TS5 | 1200407 | CROSSWIND GEAR ASM |
| 39B | 39B-5600 | 1183251 | LOCATING PIN | 231A | 231A-TS7 | 1192741 | CROSSWIND GEAR BUSHING |
| 43 | 43-TS5 | 1200386 | CROSSWIND BLOCK | 231B | 231B-TS7 | 1192742 | CROSSWIND GEAR WASHER |
| 43C | 43C-TS5 | 1202296 | CROSSWIND BUSHING | 232 | 232-TS7B | 1200358 | OPEN BEARING COVER (BLACK) |
| 45L | 45L-TS5B | 1200389 | L.S. COVER (BLACK) | 233 | 233-TS7B | 1200360 | CLOSED BEARING COVER (BLACK) |

POWER KNOB (OPTIONAL)

| | | | |
|--|---------|---------|-----------------------------|
| 15C | 15C-TS7 | 1226716 | SPOOL SHAFT |
| 15E | 15E-TS7 | 1229393 | DRIVE PLATE SEAL |
| <u>FOUND IN REEL BUT NOT ON ORIGINAL SCHEMATICS</u> | | | |
| 21A | 21A-TS7 | ?? | SHIM, C-SHAPED W/FINGERS |
| 19B | 19B-TS7 | ?? | SHIM, ROUND, INSTEAD OF 21A |

In some reels we found 21A, others 19B, some no shim

| | | | |
|-----|---------|----|----------------------------|
| 19C | 19C-TS7 | ?? | SHIM, ROUND, F/LOW BEARING |
|-----|---------|----|----------------------------|

Again, in some reels there was a 19C shim, others, none

| | | | |
|----|--------|----|-------------------------------|
| 8A | 8A-TS5 | ?? | SHIM, MAIN GEAR (USES 0 to 3) |
|----|--------|----|-------------------------------|

USAGE CHANGED Penn Revision 5

| | | | |
|-----|--------|---------|----------------------------|
| 44 | 44-TS5 | 1202297 | SCREW, CROSSWIND & ROTOR |
| 44A | 44-TS7 | 1225769 | C.W. SHAFT RETAINING SCREW |
| 46A | 46-TS5 | 1252566 | LINE ROLLER SCREW |

LINE On original schematics, the roller used key# 46A but this has since been corrected to key# 44

ROLLER Make sure you order the correct 44-TS5 screw for the line roller**

** 46-TS5M is also compatible with the 44-TS5 screw and is slightly longer so may provide sturdier setup

WASHER STYLE SPOOL SHAFT

| | | | |
|------|----------|---------|------------------|
| 39N | 39N-TS5 | 1251996 | SPOOL SHAFT |
| 39AN | 39AN-TS5 | 1251998 | DRIVE PLATE SEAL |
| 39BN | 39BN-TS5 | 1241588 | LOCATING WASHER |
| 60W | 60W-TS5 | 1242145 | SPOOL SHIM |

MYSTIC REEL PARTS REVISION!

NOTE:

Many of www.mysticparts.com schematics include changes that were either made by Penn, or errors found and corrected by our parts dept.

MRP Ver 060318 (based on Penn's Rev. 5 2-1-13)