



mysticparts.com

MYSTIC REEL PARTS

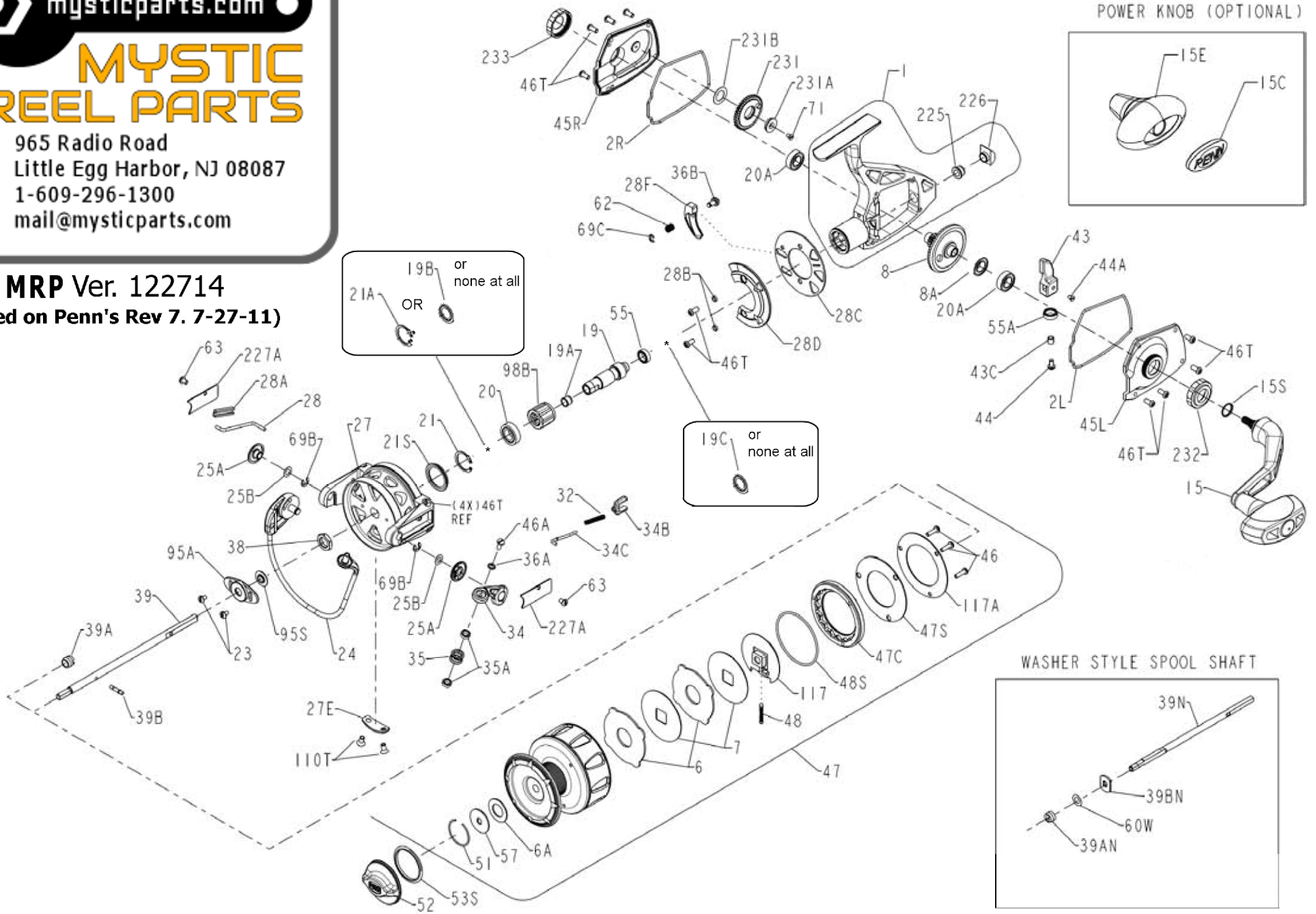
965 Radio Road
Little Egg Harbor, NJ 08087
1-609-296-1300
mail@mysticparts.com



PARTS LIST FOR MODELS TRQS5-B (Black)

REEL PART NO'S 1227747

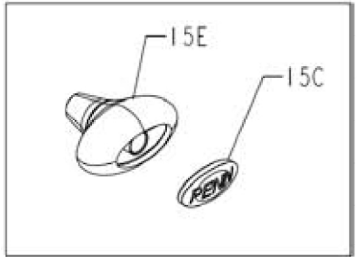
MRP Ver. 122714
(based on Penn's Rev 7. 7-27-11)



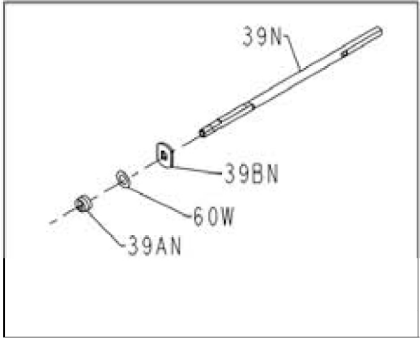
19B or none at all
21A OR

19C or none at all

POWER KNOB (OPTIONAL)



WASHER STYLE SPOOL SHAFT



Penn Reel Parts list for:

Model: TRQS5 (Black)

KEY	Penn	PureFishing	DESCRIPTION	KEY	Penn	PureFishing	DESCRIPTION
NO	Part #	Part #		NO	Part #	Part #	
1	1-TS5B	1200362	HOUSING ARM (BLACK)	43	43-TS5	1200386	CROSSWIND BLOCK
2L	2L-TS5	1200364	LEFT HOUSING GASKET	43C	43C-TS5	1202296	CROSSWIND BUSHING
2R	2R-TS5	1200365	RIGHT HOUSING GASKET	44	44-TS5	1202297	CROSSWIND SCREW
6	6-5600	1180923	EARRED DRAG WASHER (2 REQ)	44A	44-TS7	1225769	C.W. SHAFT RETAINING SCREW
6A	6-155	1180915	DRAG WASHER	45L	45L-TS5B	1200389	L.S. COVER (BLACK)
7	7-5600	1181019	KEYED DRAG WASHER (2 REQ)	45R	45R-TS5B	1200391	R.S. COVER (BLACK)
8	8-TS5	1191026	GEAR ASSEMBLY	46	46-4300	1183567	DRIVE COVER SCREW (3 REQ)
15	15-TS5B	1200366	HANDLE ASM. (BLACK)	46A	46-TS5	1252566	LINE ROLLER SCREW
15S	15S-TS7	1200419	HANDLE SEAL	46T	46T-TS7	1191914	SCREW (14 REQ)
19	19-TS5	1200368	PINION	47	47-TS5B	1200393	SPOOL ASSEMBLY (BLACK)
19A	19A-TS5	1200369	PINION BUSHING	47C	47C-TS5	1200395	DRAG COVER
20	20-TS7	1191260	PINION BALL BEARING	47S	47S-TS5	1200396	DRAG SEAL
20A	20-TS5	1200370	GEAR BALL BEARING (2 REQ)	48	48-5600	1183710	CLICK TONGUE ASSEMBLY
21	21-TS7	1192641	RETAINING RING	48S	48S-TS5	1211090	O-RING
21S	21S-TS7	1191276	ROTOR SEAL	51	51-650	1183794	SPRING RETAINER RING
23	23-750	1181953	COVER SCREW (2 REQ)	52	52-TS5B	1200397	DRAG KNOB ASM (BLACK)
24	24-TS5	1191328	BAIL WIRE ASSEMBLY	53S	53S-TS7	1211093	DRAG KNOB SEAL
25A	25A-TS7	1200331	BAIL BUSHING (2 REQ)	55	55-TS5	1200399	BALL BEARING
25B	25B-TS7	1200332	BAIL WASHER (2 REQ)	55A	55A-TS5	1211094	BALL BEARING
27	27-TS5B	1200371	ROTOR ASSEMBLY (BLACK)	57	57-5600	1183934	DRAG (METAL, KEYED) WASHER
27E	27E-TS5	1200373	BALANCE WEIGHT	62	62-TS7	1200353	TRIP SWITCH SPRING
28	28-TS5	1200374	TRIP LEVER	63	63-209	1184048	SCREW (2 REQ)
28A	28A-TS7	1200337	TRIP LEVER GUIDE	69B	69B-4400	1184128	RETAINING RING (2 REQ)
28B	28B-TS7	1200338	FRICTION RING BUSHING (2 REQ)	69C	69B-50	1184125	RETAINING RING
28C	28C-TS5	1210097	ROTOR FLANGE	71	71-TS7	1200354	FLAT HEAD SCREW
28D	28D-TS5	1200377	FRICTION RING	95A	95A-TS7	1192704	ROTOR NUT COVER
28F	28F-TS5	1200378	TRIP RAMP	95S	95S-TS5	1200400	SPOOL SHAFT SEAL
32	32-750M	1182740	BAIL SPRING	98B	98B-750M	1200401	CLUTCH BEARING
34	34-TS5	1200380	BAIL ARM ASSEMBLY	110T	110T-50	1184449	SCREW (2 REQ)
34B	34B-TS5	1202295	PIVOT SUPPORT	117	117-TS5	1242922	DRIVE PLATE
34C	34C-TS5	1200381	PIVOT ARM	117A	117A-TS5	1200402	SEAL COVER
35	35-TS5	1200382	LINE ROLLER	225	225-TS5	1220403	REAR BUSHING
35A	35A-TS5	1200383	BALL BEARING (2 REQ)	226	226-TS5	1200404	REAR CAP
36A	36A-TS5	1221606	LOCK WASHER	227A	227A-TS5B	1220405	ARM COVER (BLACK) (2 REQ)
36B	36-TS5	1200384	TRIP SWITH	231	231-TS5	1200407	CROSSWIND GEAR ASM
38	38-9500	1183160	ROTOR NUT	231A	231A-TS7	1192741	CROSSWIND GEAR BUSHING
39	39-TS5	1200385	SPOOL SHAFT	231B	231B-TS7	1192742	CROSSWIND GEAR WASHER
39A	39A-TS5	1205720	LOCATING PIN SEAL	232	232-TS7B	1200358	OPEN BEARING COVER (BLACK)
39B	39B-5600	1183251	LOCATING PIN	233	233-TS7B	1200360	CLOSED BEARING COVER (BLACK)

POWER KNOB (OPTIONAL)

15C	15C-TS7	1226716	SPOOL SHAFT
15E	15E-TS7	1229393	DRIVE PLATE SEAL

WASHER STYLE SPOOL SHAFT

39N	39N-TS5	1251996	SPOOL SHAFT
39AN	39AN-TS5	1251998	DRIVE PLATE SEAL
39BN	39BN-TS5	1241588	LOCATING WASHER
60W	60W-TS5	1242145	SPOOL SHIM

FOUND IN REEL BUT NOT ON ORIGINAL SCHEMATICS

21A	21A-TS7	??	SHIM, C-SHAPED W/FINGERS
19B	19B-TS7	??	SHIM, ROUND, INSTEAD OF 21A

In some reels we found 21A, others 19B, some no shim

19C	19C-TS7	??	SHIM, ROUND, F/LOW BEARING
-----	---------	----	----------------------------

Again, in some reels there was a 19C shim, others, none

8A	8A-TS5	??	SHIM, MAIN GEAR (USES 0 to 3)
----	--------	----	-------------------------------

MYSTIC REEL PARTS REVISION!**NOTE:**

Many of www.mysticparts.com schematics include changes that were either made by Penn, or errors found and corrected by our parts dept.

MRP Ver 122714 (based on Penn's Rev. 8 7-27-11)