



PARTS LIST FOR
MODEL SSVI8500

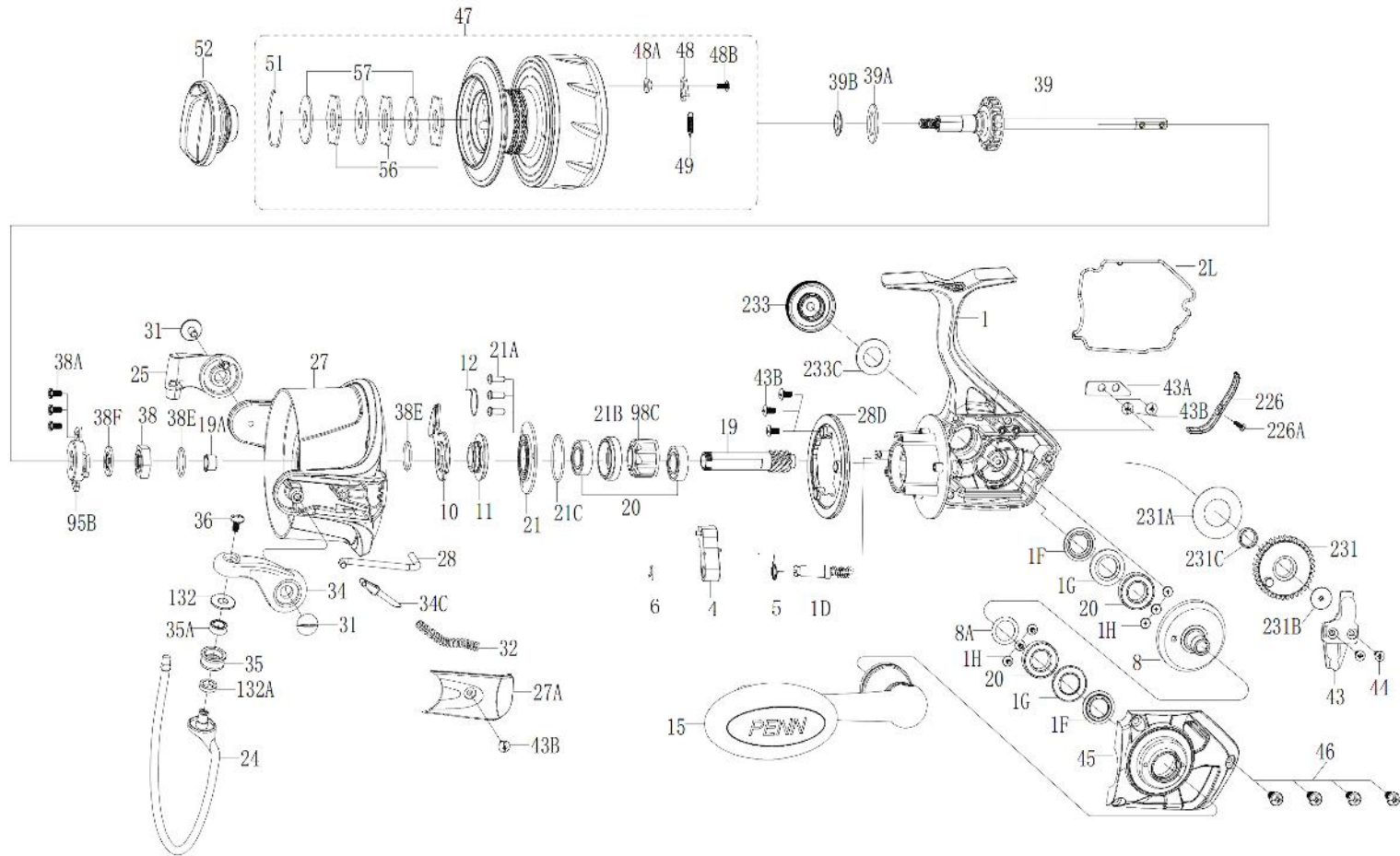


**MYSTIC
REEL PARTS**

965 Radio Raod
Little Egg Harbor, NJ 08087
+1 (609) 296-1300
www.mysticparts.com
customerservice@mysticparts.com

MRP Ver 102118

(based on Penn's Rev 0 22-1-18)



Penn Reel Parts list for Model: SSVi8500 Spinfisher VI (1481266)

KEY	PUREFISHING	PENN PART	DESCRIPTION	KEY	PUREFISHING	PENN PART	DESCRIPTION
NO	NO.	NO.		NO	NO.	NO.	
1	1489341	1-SSVi8500	HOUSING, BODY ASSEMBLY	36	1191699	36-3000SG	LINE ROLLER SCREW
1D	1277140	1D-SSV7500	A/R PAWL POST (FOUND DURING EXAM)	38	1489315	38-SSVi7500	ROTOR NUT
1F	1489289	1F-SSVi7500	SEAL RING (FOR MAIN GEAR) (2 REQUIRED)	38A	1489316	38A-SSVi7500	ROTOR NUT LOCK PLATE SCREW (3 REQUIRED)
1G	1489288	1G-SSVi7500	SEAL PLATE (2 REQUIRED)	38E	1489317	38E-SSVi7500	ROTOR O-RING (2 REQUIRED)
1H	1489176	1H-SSVi3500	BEARING SCREW (6 REQUIRED)	38F	1489318	38F-SSVi7500	SEAL RING (FOR MAIN SHAFT)
2L	1489290	2L-SSVi7500	SEAL FOR HOUSING BODY	39	1489319	39-SSVi7500	MAIN SPOOL SHAFT
4	1489291	4-SSVi7500	A/R PAWL	39A	1489320	39A-SSVi7500	THRUST WASHER
5	1489292	5-SSVi7500	PAWL SPRING	39B	1489321	39B-SSVi7500	SPOOL SEAL
6	1190979	6-5000SG	RETAINING CLIP	43	1489322	43-SSVi7500	OSCILLATION SLIDER (CROSSWIND BLOCK)
8	1489293	8-SSVi7500	MAIN DRIVE GEAR	43A	1489323	43A-SSVi7500	OSCILLATION SLIDER GUIDE (CROSSWIND PLATE)
8A	1216652	8A-7000FRC	SHIM, WASHER (FOR MAIN GEAR)	43B	1489213	43B-SSVi3500	SCREW (6 REQUIRED)
10	1489294	10-SSVi7500	A/R HOLDER	44	1191845	44-5000SG	CROSSWIND BLOCK SCREW (2 REQUIRED)
11	1489295	11-SSVi7500	BUSHING (2 REQUIRED)	45	1489345	45-SSVi8500	HOUSING / BODY COVER
12	1489296	12-SSVi7500	BUSHING SPRING	46	1191903	46-5000SG	HOUSING / BODY COVER SCREW (4 REQUIRED)
15 for Handle see below							
19	1489298	19-SSVi7500	PINION GEAR	47	1489346	47-SSVi8500	SPOOL ASSEMBLY
19A	1489299	19A-SSVi7500	PINION GEAR WASHER	48	1211625	48-5000SG	CLICK TONGUE
20	1489300	20-SSVi7500	BALL BEARING (4 REQUIRED)	48A	1489326	48A-SSVi7500	CLICK TONGUE WASHER
21	1489301	21-SSVi7500	PINION BEARING RETAINER	48B	1489327	48B-SSVi7500	SPOOL CLICK SCREW
21A	1192645	21A-5000SG	PINION RETAINER SCREW (3 REQUIRED)	49	1211627	49-5000SG	CLICK TONGUE SPRING
21B	1489302	21B-SSVi7500	COLLAR, FOR PINION BALL BEARING	51	1489328	51-SSVi7500	DRAG WASHER RETAINING RING
21C	1489303	21C-SSVi7500	O-RING, FOR BEARING RETAINER	52	1489329	52-SSVi7500	DRAG KNOB ASSEMBLY
24	1489342	24-SSVi8500	BAIL WIRE	56	1308114	56-CFT5000	DRAG FRICTION WASHER (3 REQUIRED)
25	1489305	25-SSVi7500	BAIL HOLDER (BAIL CAM)	57	1489330	57-SSVi7500	KEYED METAL DRAG WASHER (3 REQUIRED)
27	1489343	27-SSVi8500	ROTOR	95B	1489331	95B-SSVi7500	ROTOR NUT LOCKING PLATE / COVER
27A	1489462	27A-SSVi8500	BAIL PIVOT COVER	98C	1489332	98C-SSVi7500	CLUTCH / SLEEVE ASSEMBLY
28	1489344	28-SSVi8500	TRIP LEVER	132	1489333	132-SSVi7500	LINE ROLLER COLLAR
28D	1489309	28D-SSVi7500	ROTOR BRAKE	132A	1489334	132A-SSVi7500	LINE ROLLER BUSHING
31	1489310	31-SSVi7500	BAIL ARM SCREW (2 REQUIRED)	226	1489335	226-SSVi7500	REAR COVER
32	1489311	32-SSVi7500	BAIL SPRING	226A	1489227	226A-SSVi3500	REAR COVER SCREW
34	1489312	34-SSVi7500	BAIL ARM	231	1489336	231-SSVi7500	CROSSWIND OSCILLATION GEAR
34C	1489313	34C-SSVi7500	PIVOT ARM	231A	1489337	231A-SSVi7500	CROSSWIND GEAR BUSHING
35	1489461	35-SSVi8500	LINE ROLLER	231B	1489338	231B-SSVi7500	CROSSWIND OSCILLATION GEAR SCREW
35A	1242222	35A-5000BTL	LINE ROLLER BALL BEARING	231C	1489339	231C-SSVi7500	CROSSWIND GEAR WASHER
				233	1489340	233-SSVi7500	BEARING COVER ASSEMBLY (HANDLE CAP)

MYSTIC REEL PARTS REVISION!

NOTE: Many of www.mysticparts.com schematics include changes that were either made by Penn, or errors found and corrected by our parts dept.
MRP Ver 102118 (Based on Penn's Rev.0 , 1-22-18)

HANDLES

KEY	PUREFISHING	PENN PART	DESCRIPTION
NO	NO.	NO.	
15	1489297	15-SSVi7500	HANDLE ASSEMBLY (STOCK HANDLE FOR SSVi8500)
15*	1419090	15-SLA7500	HANDLE (OPTIONAL) (FROM SLAIII SERIES ALL METAL ROUND KNOB)