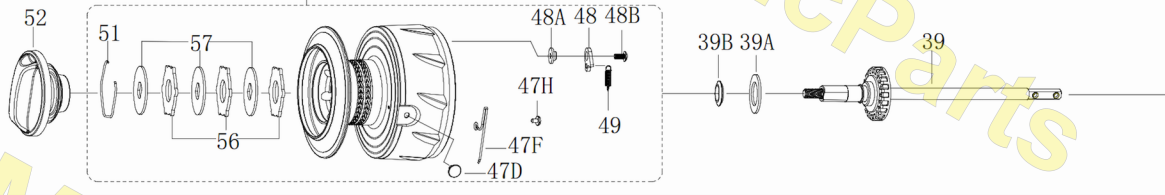


47

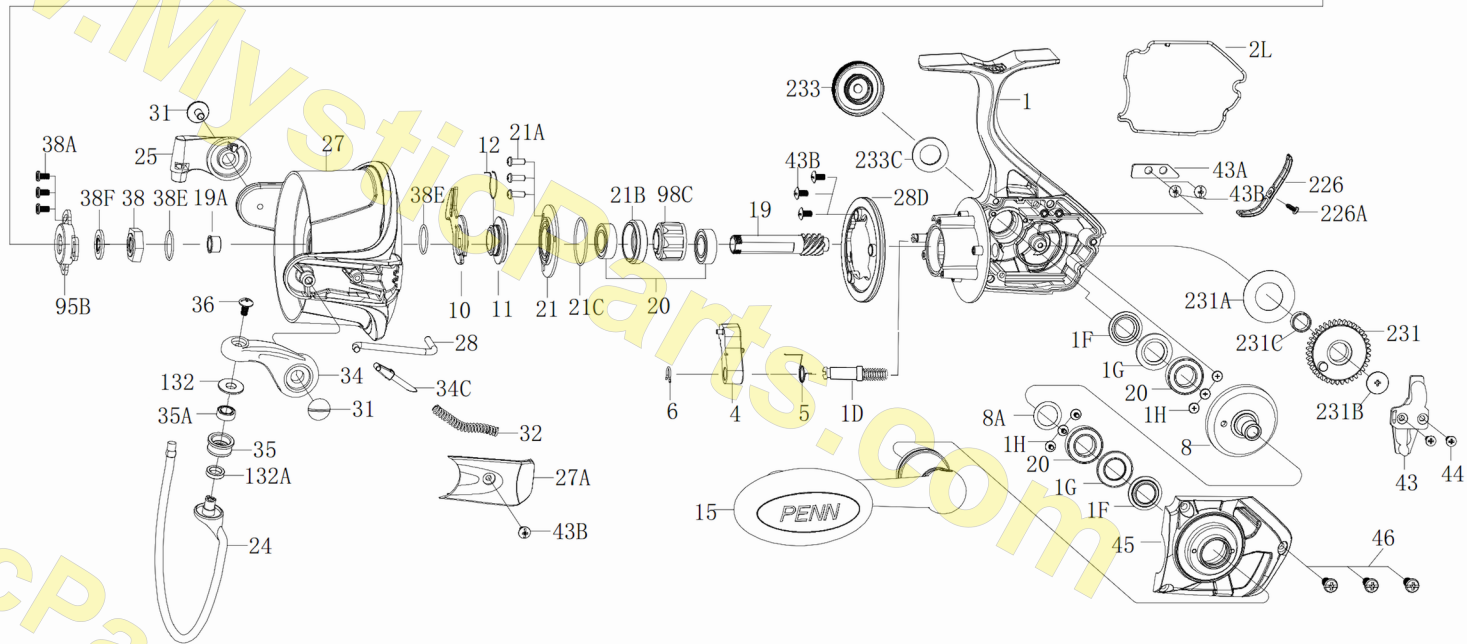


# PARTS LIST FOR MODEL AS SSVI6500



965 Radio Raod  
Little Egg Harbor, NJ 08087  
+1 (609) 296-1300  
www.mysticparts.com  
customerservice@mysticparts.com

MRP Ver 102118  
(based on Penn's Rev 1 30-3-18)



Penn Reel Parts list for Model: SSVi6500 Spinfisher VI (1481264)

| KEY NO                         | PUREFISHING NO. | PENN PART NO. | DESCRIPTION                            | KEY NO | PUREFISHING NO. | PENN PART NO. | DESCRIPTION                                |
|--------------------------------|-----------------|---------------|--|--------|-----------------|---------------|--|
| 1                              | 1489446         | 1-SSVi6500    | HOUSING, BODY ASSEMBLY                 | 38A    | 1489316         | 38A-SSVi7500  | ROTOR NUT LOCK PLATE SCREW (3 REQUIRED)    |
| 1D                             | 1277140         | 1D-SSV7500    | A/R PAWL POST (FOUND DURING EXAM)      | 38E    | 1489203         | 38E-SSVi3500  | ROTOR O-RING (2 REQUIRED)                  |
| 1F                             | 1489419         | 1F-SSVi5500   | SEAL RING (FOR MAIN GEAR) (2 REQUIRED) | 38F    | 1489402         | 38F-SSVi5500  | SEAL RING (FOR MAIN SHAFT)                 |
| 1G                             | 1489418         | 1G-SSVi5500   | SEAL PLATE (2 REQUIRED)                | 39     | 1489439         | 39-SSVi6500   | MAIN SPOOL SHAFT                           |
| 1H                             | 1489176         | 1H-SSVi3500   | BEARING SCREW (6 REQUIRED)             | 39A    | 1489320         | 39A-SSVi7500  | THRUST WASHER                              |
| 2L                             | 1489447         | 2L-SSVi6500   | SEAL FOR HOUSING BODY                  | 39B    | 1489321         | 39B-SSVi7500  | SPOOL SEAL                                 |
| 4                              | 1489448         | 4-SSVi6500    | A/R PAWL                               | 43     | 1489440         | 43-SSVi6500   | OSCILLATION SLIDER (CROSSWIND BLOCK)       |
| 5                              | 1489422         | 5-SSVi5500    | PAWL SPRING                            | 43A    | 1489405         | 43A-SSVi5500  | OSCILLATION SLIDER GUIDE (CROSSWIND PLATE) |
| 6                              | 1190979         | 6-5000SG      | RETAINING CLIP                         | 43B    | 1489213         | 43B-SSVi3500  | SCREW (5 REQUIRED)                         |
| 8                              | 1489449         | 8-SSVi6500    | MAIN DRIVE GEAR                        | 44     | 1191845         | 44-5000SG     | CROSSWIND BLOCK SCREW (2 REQUIRED)         |
| 8A                             | 1485572         | 8B-PURiii5000 | SHIM, WASHER (FOR MAIN GEAR)           | 45     | 1489441         | 45-SSVi6500   | HOUSING / BODY COVER                       |
| 10                             | 1489450         | 10-SSVi6500   | A/R HOLDER                             | 46     | 1191903         | 46-5000SG     | HOUSING / BODY COVER SCREW (3 REQUIRED)    |
| 11                             | 1489425         | 11-SSVi5500   | BUSHING (2 REQUIRED)                   | 47     | 1489442         | 47-SSVi6500   | SPOOL ASSEMBLY                             |
| 12                             | 1489426         | 12-SSVi5500   | BUSHING SPRING                         | 47D    | 1489408         | 47D-SSVi5500  | LINE CLIP                                  |
| <b>15 for Handle see below</b> |                 |               |  | 47F    | 1489218         | 47F-SSVi3500  | LINE CLIP SPRING                           |
| 19                             | 1489428         | 19-SSVi5500   | PINION GEAR                            | 47H    | 1489219         | 47H-SSVi3500  | LINE CLIP SPRING SCREW                     |
| 19A                            | 1489429         | 19A-SSVi5500  | PINION GEAR WASHER                     | 48     | 1211625         | 48-5000SG     | CLICK TONGUE                               |
| 20                             | 1308090         | 20-CFT5000    | BALL BEARING (4 REQUIRED)              | 48A    | 1211626         | 48A-5000SG    | CLICK TONGUE WASHER                        |
| 21                             | 1489451         | 21-SSVi6500   | PINION BEARING RETAINER                | 48B    | 1489327         | 48B-SSVi7500  | SPOOL CLICK SCREW                          |
| 21A                            | 1192645         | 21A-5000SG    | PINION RETAINER SCREW (3 REQUIRED)     | 49     | 1211627         | 49-5000SG     | CLICK TONGUE SPRING                        |
| 21B                            | 1489431         | 21B-SSVi5500  | COLLAR, FOR PINION BALL BEARING        | 51     | 1308112         | 51-CFT5000    | DRAG WASHER RETAINING RING                 |
| 21C                            | 1489303         | 21C-SSVi7500  | O-RING, FOR BEARING RETAINER           | 52     | 1489409         | 52-SSVi5500   | DRAG KNOB ASSEMBLY                         |
| 24                             | 1489452         | 24-SSVi6500   | BAIL WIRE                              | 56     | 1308114         | 56-CFT5000    | DRAG FRICTION WASHER (3 REQUIRED)          |
| 25                             | 1489433         | 25-SSVi6500   | BAIL HOLDER (BAIL CAM)                 | 57     | 1192044         | 57-5000SG     | KEYED METAL DRAG WASHER (3 REQUIRED)       |
| 27                             | 1489434         | 27-SSVi6500   | ROTOR                                  | 95B    | 1489223         | 95B-SSVi3500  | ROTOR NUT LOCKING PLATE / COVER            |
| 27A                            | 1489435         | 27A-SSVi6500  | BAIL PIVOT COVER                       | 98C    | 1308116         | 98C-CFT5000   | CLUTCH / SLEEVE ASSEMBLY                   |
| 28                             | 1489436         | 28-SSVi6500   | TRIP LEVER                             | 132    | 1489410         | 132-SSVi5500  | LINE ROLLER COLLAR                         |
| 28D                            | 1489437         | 28D-SSVi6500  | ROTOR BRAKE                            | 132A   | 1489411         | 132A-SSVi5500 | LINE ROLLER BUSHING                        |
| 31                             | 1489310         | 31-SSVi7500   | BAIL ARM SCREW (2 REQUIRED)            | 226    | 1489443         | 226-SSVi6500  | REAR COVER                                 |
| 32                             | 1489397         | 32-SSVi5500   | BAIL SPRING                            | 226A   | 1489227         | 226A-SSVi3500 | REAR COVER SCREW                           |
| 34                             | 1489438         | 34-SSVi6500   | BAIL ARM                               | 231    | 1489444         | 231-SSVi6500  | CROSSWIND OSCILLATION GEAR                 |
| 34C                            | 1489399         | 34C-SSVi5500  | PIVOT ARM                              | 231A   | 1489445         | 231A-SSVi6500 | CROSSWIND GEAR BUSHING                     |
| 35                             | 1489400         | 35-SSVi5500   | LINE ROLLER                            | 231B   | 1489338         | 231B-SSVi7500 | CROSSWIND OSCILLATION GEAR SCREW           |
| 35A                            | 1242222         | 35A-5000BTL   | LINE ROLLER BALL BEARING               | 231C   | 1489339         | 231C-SSVi7500 | CROSSWIND GEAR WASHER                      |
| 36                             | 1191699         | 36-3000SG     | LINE ROLLER SCREW                      | 233    | 1489415         | 233-SSVi5500  | BEARING COVER ASSEMBLY (HANDLE CAP)        |
| 38                             | 1489401         | 38-SSVi5500   | ROTOR NUT                              |        |                 |               |  |

**CORRECTIONS**

233C\*\* 1419076 233C-SLA5500 SEAL, HANDLE CAP SEAL

**\*\* NOT ON REV0 BUT WAS FOUND IN THE REEL**

**132B was on the Rev 0 of the Penn schematics**

**This was an error per REV 1, there is no part 132B**

(removed from the drawing)

**HANDLES**

| KEY NO | PUREFISHING NO. | PENN PART NO. | DESCRIPTION   |
|--------|-----------------|---------------|---|
| 15     | 1489427         | 15-SSVi5500   | HANDLE ASSEMBLY (STOCK HANDLE FOR SSVi6500)                 |
| 15*    | 1419071         | 15-SLA5500    | HANDLE (OPTIONAL) (FROM SLAIII SERIES ALL METAL ROUND KNOB) |

**MYSTIC REEL PARTS REVISION!**

NOTE: Many of www.mysticparts.com schematics include changes that were either

made by Penn, or errors found and corrected by our parts dept.

MRP Ver 102118 (Based on Penn's Rev.1 , 3-30-18)