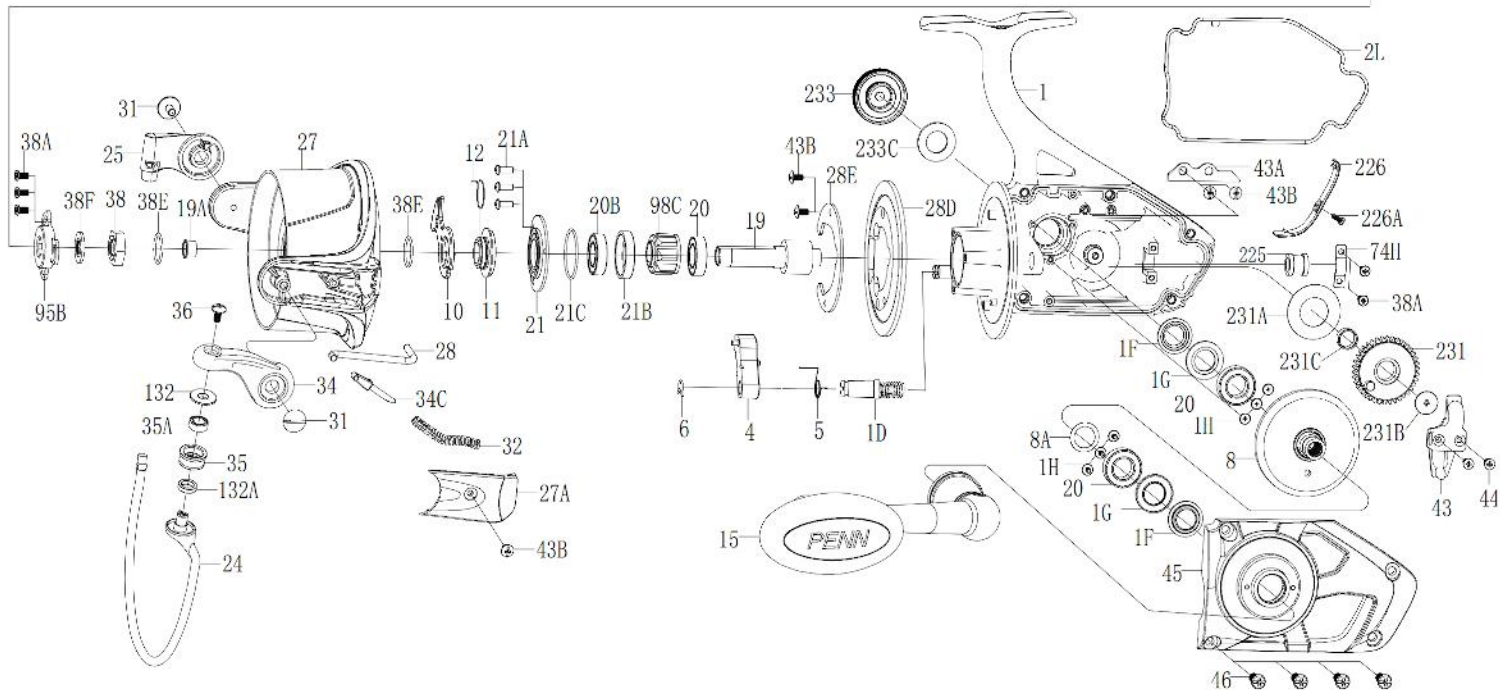
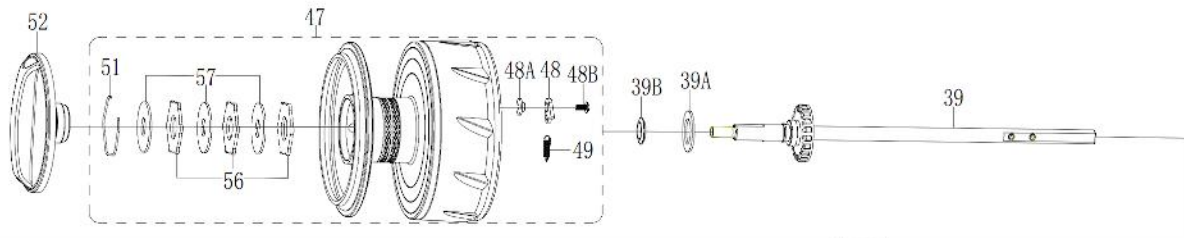




PARTS LIST FOR
MODEL SSVI10500



965 Radio Road
Little Egg Harbor, NJ 08087
+1 (609) 296-1300
www.mysticparts.com
customerservice@mysticparts.com

MRP Ver 102118

(based on Penn's Rev 0 22-1-18)

Penn Reel Parts list for Model: SSVi10500 Spinfisher VI (1481268)

KEY	PUREFISHING	PENN PART	DESCRIPTION	KEY	PUREFISHING	PENN PART	DESCRIPTION
NO	NO.	NO.		NO	NO.	NO.	
1	1489389	1-SSVi10500	HOUSING, BODY ASSEMBLY	36	1191566	31-2000SG	LINE ROLLER SCREW
1D	1277252	1D-SSV9500	A/R PAWL POST (FOUND DURING EXAM)	38	1489315	38-SSVi7500	ROTOR NUT
1F	1489289	1F-SSVi7500	SEAL RING (FOR MAIN GEAR) (2 REQUIRED)	38A	1489316	38A-SSVi7500	ROTOR NUT LOCK PLATE SCREW (5 REQUIRED)
1G	1489288	1G-SSVi7500	SEAL PLATE (2 REQUIRED)	38E	1489317	38E-SSVi7500	ROTOR O-RING (2 REQUIRED)
1H	1489176	1H-SSVi3500	BEARING SCREW (6 REQUIRED)	38F	1489357	38F-SSVi9500	SEAL RING (FOR MAIN SHAFT)
2L	1489376	2L-SSVi9500	SEAL FOR HOUSING BODY	39	1489358	39-SSVi9500	MAIN SPOOL SHAFT
4	1489377	4-SSVi9500	A/R PAWL	39A	1489320	39A-SSVi7500	THRUST WASHER
5	1489378	5-SSVi9500	PAWL SPRING	39B	1489321	39B-SSVi7500	SPOOL SEAL
6	1489379	6-SSVi9500	RETAINING CLIP	43	1489359	43-SSVi9500	OSCILLATION SLIDER (CROSSWIND BLOCK)
8	1489380	8-SSVi9500	MAIN DRIVE GEAR	43A	1489360	43A-SSVi9500	OSCILLATION SLIDER GUIDE (CROSSWIND PLATE)
8A	1216652	8A-7000FRC	SHIM, WASHER (FOR MAIN GEAR)	43B	1489213	43B-SSVi3500	SCREW (5 REQUIRED)
10	1489381	10-SSVi9500	A/R HOLDER	44	1489361	44-SSVi9500	CROSSWIND BLOCK SCREW (2 REQUIRED)
11	1489382	11-SSVi9500	BUSHING (2 REQUIRED)	45	1488470	45-SSVi10500	HOUSING / BODY COVER
12	1489296	12-SSVi7500	BUSHING SPRING	46	1489363	46-SSVi9500	HOUSING / BODY COVER SCREW (4 REQUIRED)
15 for Handle see below							
19	1489384	19-SSVi9500	PINION GEAR	47	1488471	47-SSVi10500	SPOOL ASSEMBLY
19A	1489385	19A-SSVi9500	PINION GEAR WASHER	48	1211625	48-5000SG	CLICK TONGUE
20	1489300	20-SSVi7500	BALL BEARING (3 REQUIRED)	48A	1211626	48A-5000SG	CLICK TONGUE WASHER
20B	1192621	20B-7000SG	BALL BEARING, UPPER PINION BEARING	48B	1489327	48B-SSVi7500	SPOOL CLICK SCREW
21	1489386	21-SSVi9500	PINION BEARING RETAINER	49	1211627	49-5000SG	CLICK TONGUE SPRING
21A	1192645	21A-5000SG	PINION RETAINER SCREW (3 REQUIRED)	51	1489328	51-SSVi7500	DRAG WASHER RETAINING RING
21B	1489387	21B-SSVi9500	COLLAR, FOR PINION BALL BEARING	52	1489365	52-SSVi9500	DRAG KNOB ASSEMBLY
21C	1489388	21C-SSVi9500	O-RING, FOR BEARING RETAINER	56	1308114	56-CFT5000	DRAG FRICTION WASHER (3 REQUIRED)
24	1489390	24-SSVi10500	BAIL WIRE	57	1489330	57-SSVi7500	KEYED METAL DRAG WASHER (3 REQUIRED)
25	1489348	25-SSVi9500	BAIL HOLDER (BAIL CAM)	74H	1489366	74H-SSVi9500	BUSHING PLATE
27	1489468	27-SSVi10500	ROTOR	95B	1489331	95B-SSVi7500	ROTOR NUT LOCKING PLATE / COVER
27A	1488469	27A-SSVi10500	BAIL PIVOT COVER	98C	1489332	98C-SSVi7500	CLUTCH / SLEEVE ASSEMBLY
28	1489351	28-SSVi9500	TRIP LEVER	132	1489367	132-SSVi9500	LINE ROLLER COLLAR
28D	1489352	28D-SSVi9500	ROTOR BRAKE	132A	1489334	132A-SSVi7500	LINE ROLLER BUSHING
28E	1489353	38E-SSVi9500	BRAKE PLATE	225	1489368	225-SSVi9500	SHAFT BUSHING
31	1489310	31-SSVi7500	BAIL ARM SCREW (2 REQUIRED)	226	1489369	226-SSVi9500	REAR COVER
32	1489354	32--SSVi9500	BAIL SPRING	226A	1489227	226A-SSVi3500	REAR COVER SCREW
34	1489312	34-SSVi7500	BAIL ARM	231	1489370	231-SSVi9500	CROSSWIND OSCILLATION GEAR
34C	1489355	34C-SSVi9500	PIVOT ARM	231A	1489371	231A-SSVi9500	CROSSWIND GEAR BUSHING
35	1489356	35-SSVi9500	LINE ROLLER	231B	1489372	231B-SSVi9500	CROSSWIND OSCILLATION GEAR SCREW
35A	1242222	35A-5000BTL	LINE ROLLER BALL BEARING	231C	1489373	231C-SSVi9500	CROSSWIND GEAR WASHER
				233	1489374	233-SSVi9500	BEARING COVER ASSEMBLY (HANDLE CAP)

CORRECTIONS

233C** 1419076 233C-SLA5500 SEAL, HANDLE CAP SEAL

**** NOT ON REV0 BUT WAS FOUND IN THE REEL**

HANDLES

KEY	PUREFISHING	PENN PART	DESCRIPTION
NO	NO.	NO.	
15	1489383	15-SSVi9500	HANDLE ASSEMBLY (STOCK HANDLE FOR SSVi10500)
15*	1419128	15-SLA9500	HANDLE (OPTIONAL) (FROM SLAIII SERIES ALL METAL ROUND KNOB)

MYSTIC REEL PARTS REVISION!

NOTE: Many of www.mysticparts.com schematics include changes that were either made by Penn, or errors found and corrected by our parts dept.
MRP Ver 102118 (Based on Penn's Rev.0 , 1-22-18)