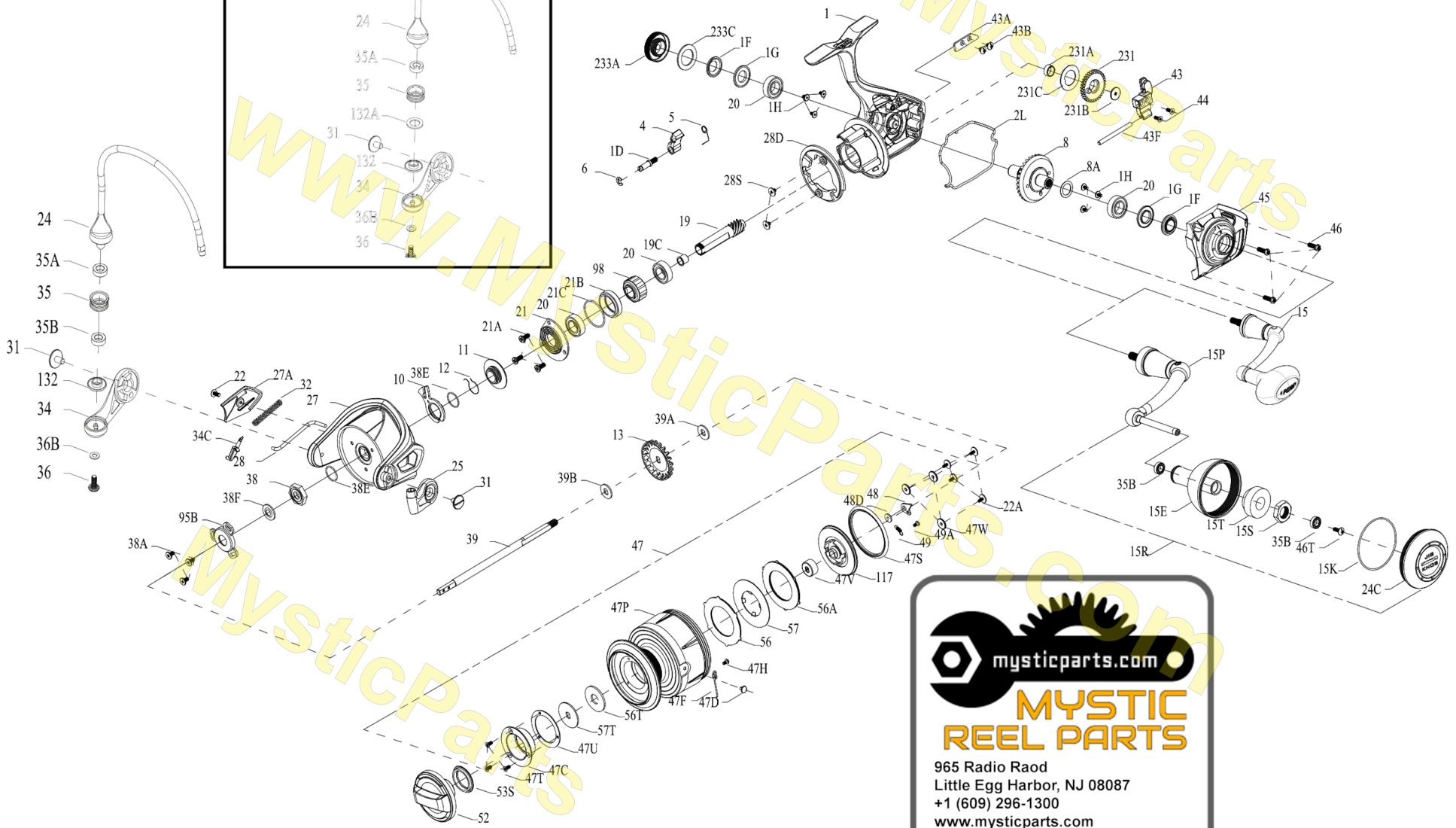
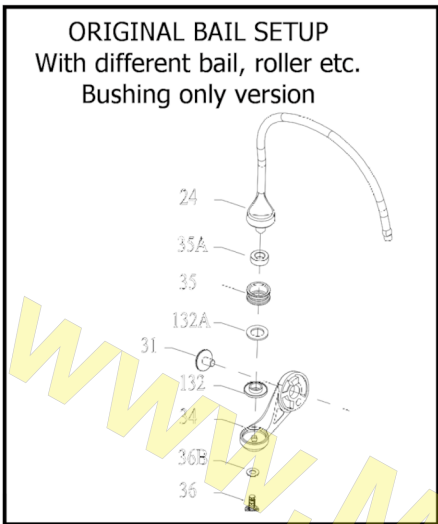




# PARTS LIST FOR MODEL SLAMMER III 6500 HS

Model # SLA6500HS (aka SLAiii6500HS)



mysticparts.com  
**MYSTIC REEL PARTS**  
965 Radio Road  
Little Egg Harbor, NJ 08087  
+1 (609) 296-1300  
www.mysticparts.com  
customerservice@mysticparts.com

MRP Ver 010120  
(based on Penn's Rev. 00 01-18-17)

Penn Reel Parts list for Model: SLA6500HS (SLAiii6500HS) SLAMMER iii SPINNING High Speed (MANUAL BAIL TRIP)

KEY	PUREFISHING	PART	DESCRIPTION	KEY	PUREFISHING	PART	DESCRIPTION
<u>NO</u>	<u>NO</u>	<u>NO</u>	<u>DESCRIPTION</u>	<u>NO</u>	<u>NO</u>	<u>NO</u>	<u>DESCRIPTION</u>
1	1447666	1-SLAiii6500HS	BODY/HOUSING	39B	1277067	39B-SSV5500	MAIN SHAFT WASHER, METAL
1D	1277140	1D-SSV7500	A/R PAWL POST	43	1419031	43-SLA6500	OSCILLATION SLIDER (CROSSWIND BLOCK)
<b>1E</b>	<i>see info on pg 3</i>						
1F	1419019	1F-SLA5500	BODY BALL BEARING SEAL (2 REQUIRED)	43A	1339536	43A-CLA5000	SLIDER RETAINER PLATE
1G	1419020	1G-SLA5500	BODY SIDE SEAL LOCK PLATE (2 REQUIRED)	43B	1277070	43B-SSV5500	OSCILLATION SLIDER GUIDE SCREW (2 REQUIRED)
1H	1418957	1H-SLA3500	BODY SIDE SCREW (6 REQUIRED)	43F	1419029	43F-SLA6500	GUIDE SHAFT
2L	1419036	2L-SLA6500	BODY SEAL	44	1277072	44-SSV5500	SCREW (2 REQUIRED)
4	1389459	4-CLA6000	A/R PAWL	45	1447675	45-SLAiii6500HS	BODY COVER ASSEMBLY
5	1339474	5-CLA5000	PAWL SPRING	<b>46</b>	<i>see info on pg 3</i>		
6	1277144	6-SSV7500	RETAINER CLIP	47	1447676	47-SLAiii6500HS	SPOOL ASSEMBLY
8	1447667	8-SLAiii6500HS	DRIVE GEAR (MAIN GEAR)	<b>47C</b>	<i>see info on pg 3</i>		
8A	1277037	8A-SSV5500	DRIVE GEAR SHIM WASHER	47D	1277078	47D-SSV5500	LINE HOOK
10	1419936	10-CLA6000	A/R PAWL HOLDER	47F	1419068	47F-SLA6500	LINE CLIP RETAINER
11	1419028	11-SLA5500	A/R BUSHING	47H	1277054	28S-SSV5500	ROTOR BRAKE SCREW
12	1339487	12-CLA5000	A/R BUSHING SPRING	47P	1419057	47P-SLA6500	SPOOL (BARE)
13	1419053	13-SLA5500	CLICK GEAR	47S	1419065	47S-SLA5500	SPOOL SEAL
<b>15</b>	<i>ALL HANDLE COMPONENTS SEE PG 3</i>						
19	1447672	19-SLAiii6500HS	PINION GEAR	47T	1339552	47T-CLA5000	REAR COVER SCREW (3 REQUIRED)
19C	1419023	19C-SLA5500	PINION GEAR BUSHING	47U	1418963	47U-SLA3500	DRAG COVER SEAL
20	1308090	20-CFT5000	BALL BEARING (4 REQUIRED)	47V	1419063	47V-SLA5500	SEALED NUT
21	1419025	21-SLA5500	BALL BEARING RETAINER	47W	1419066	47W-SLA5500	PROTECTIVE WASHER (3 REQUIRED)
21A	1277154	21A-SSV7500	RETAINER SCREW (3 REQUIRED)	48	1419069	48-SLA5500	SPOOL CLICK PLATE
21B	1419024	21B-SLA5500	PINION BALL BEARING COLLAR	48D	1385579	48D-CLA3000	SPOOL CLICKER SPACER RING
21C	1385684	21C-CLA8000	BODY HEAD SEAL (O'RING)	49	1259579	49-7000AF	SPRING
22	1125962	231G-7000AF	SCREW	49A	1341547	49A-SSV7500LC	SCREW, SPOOL CLICKER SPRING SCREW
<b>22A</b>	<i>see info on pg 3</i>						
<b>24</b>	<i>ALL BAIL WIRE COMPONENTS SEE PG 3</i>						
27	1419042	27-SLA6500	ROTOR	52	1419070	52-SLA5500	DRAG KNOB ASSEMBLY
27A	1419046	27A-SLA6500	ROTOR COVER	53S	1339555	53S-CLA5000	DRAG KNOB SEAL
28	1419044	28-SLA6500	ROTOR TRIP LEVER	56	1419060	56-SLA5500	DRAG FRICTION WASHER
28D	1447674	28D-SLAiii6500HS	ROTOR BRAKE (ROUND)	56A	1419062	56A-SLA5500	DRAG FRICTION WASHER
28S	1339512	28S-CLA5000	ROTOR BRAKE SCREW (2 REQUIRED)	56T	1277089	56T-SSV5500	DRAG FRICTION WASHER
31	1277055	31-SSV5500	BAIL ARM SCREW (2 REQUIRED)	57	1419061	57-SLA5500	KEYED DRAG WASHER
32	1389467	32-CLA6000	BAIL SPRING	57T	1419058	57T-SLA5500	KEYED DRAG WASHER
34	1389468	34-CLA6000	BAIL ARM	95B	1419009	95B-SLA3500	ROTOR NUT LOCKING PLATE
34C	1389469	34C-CLA6000	PIVOT ARM	98	1277094	98-SSV5500	CLUTCH/SLEEVE ASSEMBLY
38	1419051	38-SLA5500	ROTOR NUT	117	1419064	117-SLA5500	DRAG DRIVE PLATE
38A	1119121	20C-7000AF	SCREW (3 REQUIRED)	231	1389600	231-CLA6000	OSCILLAION GEAR (CROSSWIND GEAR)
38E	1418958	38E-SLA3500	PINION GEAR SEAL (2 REQUIRED)	231A	1339566	231A-CLA5000	OSCILLATION GEAR BUSHING
38F	1419052	38F-SLA5500	ROTOR-MAIN SHAFT SEAL	231B	1277100	231B-SSV5500	OSCILLATION GEAR SCREW
39	1419033	39-SLA6500	MAIN SHAFT	231C	1389603	231C-CLA6000	OSCILLATION GEAR WASHER
<b>39A</b>	<i>see info on pg 3</i>						
				233A	1419075	233A-SLA5500	HANDLE CAP
				233C	1419076	233C-SLA5500	HANDLE CAP WASHER

KEY NO	PUREFISHING NO	PART NO.	DESCRIPTION
--------	----------------	----------	-------------

KEY NO	PUREFISHING NO	PART NO.	DESCRIPTION
--------	----------------	----------	-------------

**METAL KNOB HANDLE COMPONENTS**

15R	1447669	15R-SLAIii6500HS	HANDLE ASSEMBLY (METAL KNOB)
15E	1447670	15E-SLAIii6500HS	HANDLE KNOB (METAL)
15K	1419073	15K-SLA5500	HANDLE KNOB CAP SEAL
15P	1447671	15P-SLAIii6500HS	SUB-HANDLE ASSEMBLY
15S	1447679	15S-SLAIii6500HS	HEXNUT
15T	1447680	15T-SLAIii6500HS	CLUMP WEIGHT
24C	1447673	24C-SLAIii6500HS	HANDLE KNOB CAP (FOR METAL KNOB)
35B	1377606	35A-BTLii8000LC	BALL BEARING (2 REQUIRED)
46T	1341500	3-SSV7500LC	SCREW

**FOOTBALL KNOB HANDLE**

15	1447668	15-SLAIii6500HS	HANDLE ASSEMBLY (FOOTBALL RUBBER KNOB)
----	---------	-----------------	--

**Above is available as an assembly ONLY**

**BAIL WIRE, LINE ROLLER PARTS CHANGED FOR REV 00**

**ORIGINAL W/JUST BUSHINGS**

24	1419048	24-SLA6500	BAIL WIRE
35	1277059	35-SSV5500	LINE ROLLER
35A	1419050	35A-SLA5500	LINE ROLLER BUSHING
132	1419049	132-SSV5500	LINE ROLLER COLLAR
132A	1277097	132A-SSV5500	LINE ROLLER WASHER
36	1422399	36-SLA9500	LINE ROLLER SCREW
36B	1417809	36B-CLA6000	BAIL ARM SCREW WASHER (OLD 36B-CLA5000)
25	1339500	25-CLA5000	BAIL HOLDER

**REV00 shows the above older system so it is still being noted here**

**NEWER W/BALL BEARING/BUSHING COMBO**

24	1457401	24-SLAIii6500HS	BAIL WIRE
35	1457403	35-SLAIii6500HS	LINE ROLLER
35A	1457404	35A-SLAIii6500HS	LINE ROLLER BUSHING
35B	1377606	35A-BTLii8000LC	LINE ROLLER BALL BEARING
132	1457405	132-SLAIii6500HS	LINE ROLLER COLLAR

**NO 132A ON THE NEWER SETUP**

36	1422399	SAME PART
36B	1417809	SAME PART
25	1339500	SAME PART

**NOTE: NEWER BAIL WIRE** (Penn changed 7digit but not Penn #, MRP corrected this)  
Info for this upgrade came from the SLA6500 rev1 schematic

**CORRECTIONS and notes**

39A 1277066 39A-SSV5500 SPOOL ADJUST WASHER, PLASTIC  
There may be more of these 39a, above and below the ratchet on the shaft, than shown on the drawing. Penn seems to have used them as a shim on the assembly line to adjust the level of the spool on the shaft.

46 1277074 46-SSV5500 BODY COVER SCREW (3 REQUIRED)  
ERROR FOUND - USE ABOVE FOR 46 - Rev 0 said 46-CLA3000 this is too small for cover holes \*\*\*\* do not use \*\*\*

47C 1419059 47C-SLA5500 DRAG COVER  
The first schematic had a typo of 47S-SLA5500, corrected

**PROBLEM / CHANGE**

1E 1419027 1E-SLA6500 BODY SLOPE  
**\*\*\*\* DO NOT OVERTIGHTEN THE SCREWS ON THE SLOPE, IT WILL SNAP!**  
1E was on the Rev 0 schematic but removed Rev 1  
**NOTE: SLAIii SERIES sizes 6500 thru 10500**  
**ALL have a Manual Bail Trip**  
So 1E was removed and may only be present in early run reels if at all.

**MYSTIC REEL PARTS REVISION!**

NOTE:  
Many of www.mysticparts.com schematics include changes that were either made by Penn, or errors found and corrected by our parts dept.  
MRP Ver 100822 (based on Penn's Rev. 00 01-18-17)