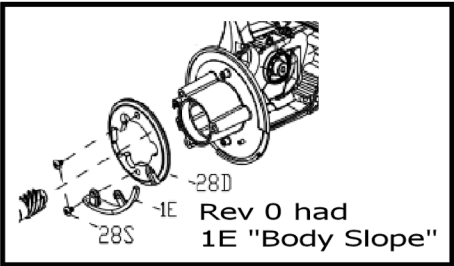
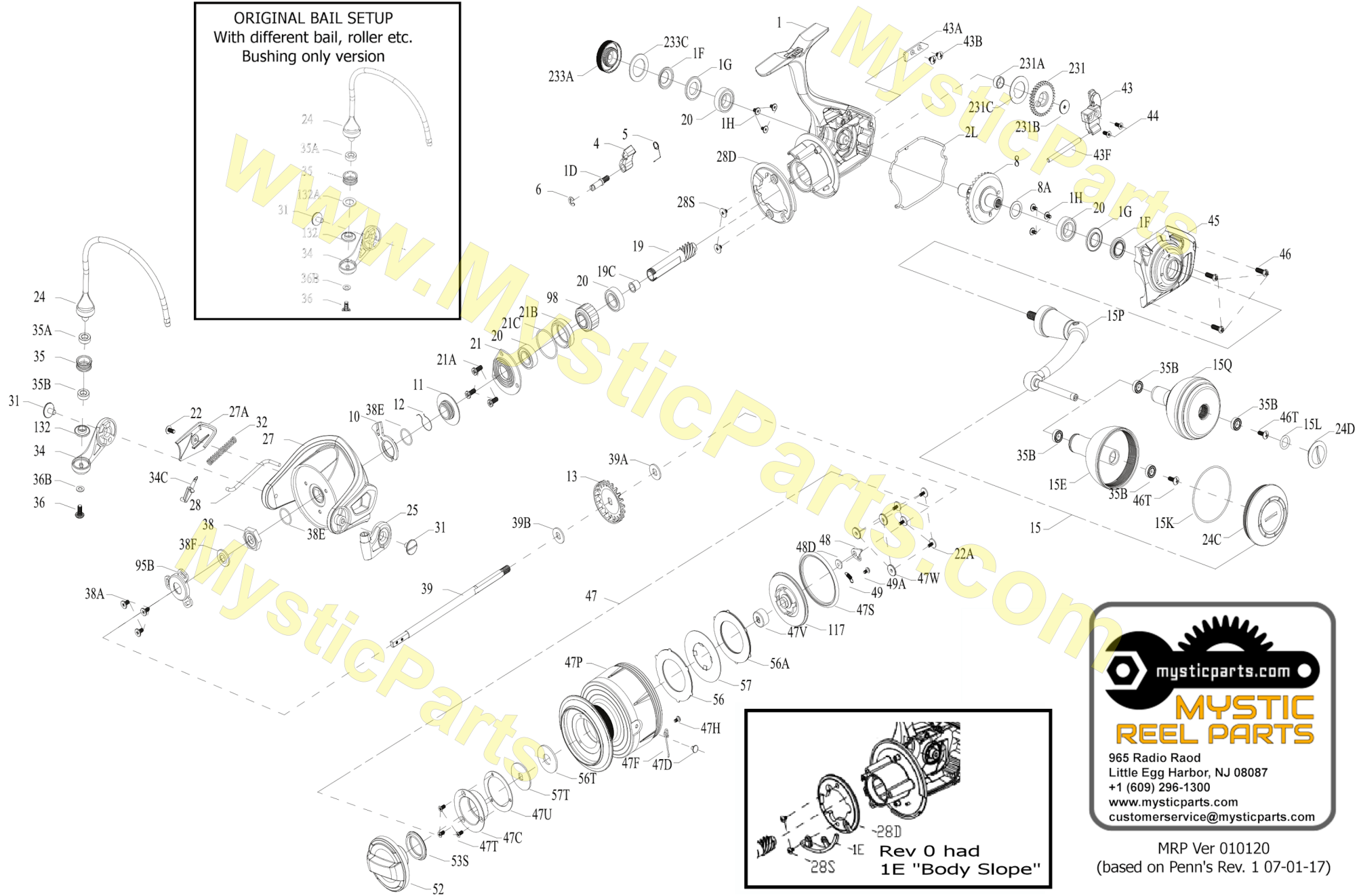
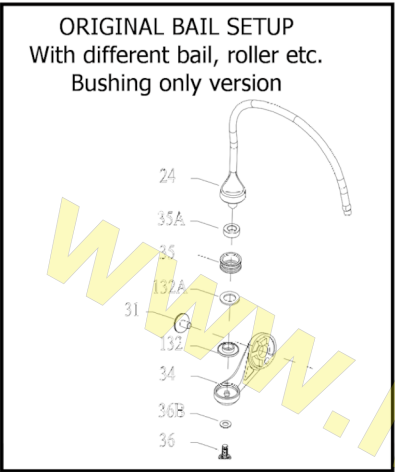


NOTE: SLAiii SERIES sizes 6500 thru 10500 ALL have a Manual Bail Trip.



PARTS LIST FOR MODEL SLAMMER III 6500

Model # SLA6500 (aka SLAiii6500)



mysticparts.com
MYSTIC REEL PARTS
965 Radio Raod
Little Egg Harbor, NJ 08087
+1 (609) 296-1300
www.mysticparts.com
customerservice@mysticparts.com

MRP Ver 010120
(based on Penn's Rev. 1 07-01-17)

Penn Reel Parts list for Model: SLA6500 (SLAiii6500) SLAMMER iii SPINNING

(MANUAL BAIL TRIP)

KEY	PUREFISHING PART			KEY	PUREFISHING PART		
<u>NO</u>	<u>NO</u>	<u>NO.</u>	<u>DESCRIPTION</u>	<u>NO</u>	<u>NO</u>	<u>NO.</u>	<u>DESCRIPTION</u>
1	1419018	1-SLA6500	BODY/HOUSING	39	1419033	39-SLA6500	MAIN SHAFT
1D	1277140	1D-SSV7500	A/R PAWL POST	39A	<i>see info on pg 3</i>		
1E	<i>see page 3</i>			39B	1277067	39B-SSV5500	MAIN SHAFT WASHER, METAL
1F	1419019	1F-SLA5500	BODY BALL BEARING SEAL (2 REQUIRED)	43	1419031	43-SLA6500	OSCILLATION SLIDER (CROSSWIND BLOCK)
1G	1419020	1G-SLA5500	BODY SIDE SEAL LOCK PLATE (2 REQUIRED)	43A	1339536	43A-CLA5000	SLIDER RETAINER PLATE
1H	1418957	1H-SLA3500	BODY SIDE SCREW (6 REQUIRED)	43B	1277070	43B-SSV5500	OSCILLATION SLIDER GUIDE SCREW (2 REQUIRED)
2L	1419036	2L-SLA6500	BODY SEAL	43F	1419029	43F-SLA6500	GUIDE SHAFT
4	1389459	4-CLA6000	A/R PAWL	44	1277072	44-SSV5500	SCREW
5	1339474	5-CLA5000	PAWL SPRING	45	1419038	45-SLA6500	BODY COVER ASSEMBLY
6	1277144	6-SSV7500	RETAINER CLIP	46	1385567	46-CLA3000	BODY COVER SCREW (3 REQUIRED)
8	1419034	8-SLA5500	DRIVE GEAR (MAIN GEAR)	47	1419055	47-SLA6500	SPOOL ASSEMBLY
8A	1277037	8A-SSV5500	DRIVE GEAR SHIM WASHER	47D	1277078	47D-SSV5500	LINE HOOK
10	1419936	10-CLA6000	A/R PAWL HOLDER	47F	1419068	47F-SLA6500	LINE CLIP RETAINER
11	1419028	11-SLA5500	A/R BUSHING	47H	1277054	28S-SSV5500	ROTOR BRAKE SCREW
12	1339487	12-CLA5000	A/R BUSHING SPRING	47P	1419057	47P-SLA6500	SPOOL (BARE)
13	1419053	13-SLA5500	CLICK GEAR	47S	1419065	47S-SLA5500	SPOOL SEAL
15	ALL HANDLE COMPONENTS SEE PG 3			47T	1339552	47T-CLA5000	REAR COVER SCREW (3 REQUIRED)
19	1419022	19-SLA5500	PINION GEAR	47U	1418963	47U-SLA3500	DRAG COVER SEAL
19C	1419023	19C-SLA5500	PINION GEAR BUSHING	47V	1419063	47V-SLA5500	SEALED NUT
20	1308090	20-CFT5000	BALL BEARING (4 REQUIRED)	47W	1419066	47W-SLA5500	PROTECTIVE WASHER (3 REQUIRED)
21	1419025	21-SLA5500	BALL BEARING RETAINER	48	1419069	48-SLA5500	SPOOL CLICK PLATE
21A	1277154	21A-SSV7500	RETAINER SCREW (3 REQUIRED)	48D	1385579	48D-CLA3000	SPOOL CLICKER SPACER RING
21B	1419024	21B-SLA5500	PINION BALL BEARING COLLAR	49	1259579	49-7000AF	SPRING
21C	1385684	21C-CLA8000	BODY HEAD SEAL (O'RING)	49A	1341547	49A-SSV7500LC	SCREW, SPOOL CLICKER SPRING SCREW
22	1125962	231G-7000AF	SCREW	52	1419070	52-SLA5500	DRAG KNOB ASSEMBLY
22A	<i>see info on pg 3</i>			53S	1339555	53S-CLA5000	DRAG KNOB SEAL
24	ALL BAIL WIRE COMPONENTS SEE PG 3			56	1419060	56-SLA5500	DRAG FRICTION WASHER
27	1419042	27-SLA6500	ROTOR	56A	1419062	56A-SLA5500	DRAG FRICTION WASHER
27A	1419046	27A-SLA6500	ROTOR COVER	56T	1277089	56T-SSV5500	DRAG FRICTION WASHER
28	1419044	28-SLA6500	ROTOR TRIP LEVER	57	1419061	57-SLA5500	KEYED DRAG WASHER
28D	1389466	28D-CLA6000	ROTOR BRAKE (ROUND)	57T	1419058	57T-SLA5500	KEYED DRAG WASHER
28S	1339512	28S-CLA5000	ROTOR BRAKE SCREW (2 REQUIRED)	95B	1419009	95B-SLA3500	ROTOR NUT LOCKING PLATE
31	1277055	31-SSV5500	BAIL ARM SCREW (2 REQUIRED)	98	1277094	98-SSV5500	CLUTCH/SLEEVE ASSEMBLY
32	1389467	32-CLA6000	BAIL SPRING	117	1419064	117-SLA5500	DRAG DRIVE PLATE
34	1389468	34-CLA6000	BAIL ARM	231	1389600	231-CLA6000	OSCILLAION GEAR (CROSSWIND GEAR)
34C	1389469	34C-CLA6000	PIVOT ARM	231A	1339566	231A-CLA5000	OSCILLATION GEAR BUSHING
38	1419051	38-SLA5500	ROTOR NUT	231B	1277100	231B-SSV5500	OSCILLATION GEAR SCREW
38A	1119121	20C-7000AF	SCREW (3 REQUIRED)	231C	1389603	231C-CLA6000	OSCILLATION GEAR WASHER
38E	1418958	38E-SLA3500	PINION GEAR SEAL (2 REQUIRED)	233A	1419075	233A-SLA5500	HANDLE CAP
38F	1419052	38F-SLA5500	ROTOR-MAIN SHAFT SEAL	233C	1419076	233C-SLA5500	HANDLE CAP WASHER

KEY PUREFISHING PART

NO NO NO DESCRIPTION

METAL KNOB HANDLE COMPONENTS			
15	1419071	15-SLA5500	HANDLE ASSEMBLY (METAL KNOB)
15E	1419072	15E-SLA5500	HANDLE KNOB (METAL)
15K	1419073	15K-SLA5500	HANDLE KNOB CAP SEAL
15P	1422395	15P-SLA5500	SUB-HANDLE ASSEMBLY
24C	1419074	24C-SLA5500	HANDLE KNOB CAP (FOR METAL KNOB)
35B	1377606	35A-BTLii8000LC	BALL BEARING (2 REQUIRED)
46T	1341500	3-SSV7500LC	SCREW

KEY PUREFISHING PART

NO NO NO DESCRIPTION

FOAM KNOB HANDLE COMPONENTS			
15			FOAM HANDLE NOT AVAILABLE PRE-ASSEMBLED
15Q	1418244	15E-CLA6000	HANDLE KNOB (FOAM)
15L	1417804	15L-CLA2000	HANDLE KNOB SEAL
15P	1422395	15P-SLA5500	SUB-HANDLE ASSEMBLY
24D	1417808	24C-CLA5000	HANDLE KNOB CAP (FOR FOAM KNOB)
35B	1377606	35A-BTLii8000LC	BALL BEARING (2 REQUIRED)
46T	1341500	3-SSV7500LC	SCREW

BAIL WIRE, LINE ROLLER PARTS CHANGED FOR REV 1

ORIGINAL W/JUST BUSHINGS

24	1419048	24-SLA6500	BAIL WIRE
35	1277059	35-SSV5500	LINE ROLLER
35A	1419050	35A-SLA5500	LINE ROLLER BUSHING
132	1419749	132-SLA5500	LINE ROLLER COLLAR
132A	1277097	132A-SSV5500	LINE ROLLER WASHER
36	1422399	36-SLA9500	LINE ROLLER SCREW
36B	1417809	36B-CLA6000	BAIL ARM SCREW WASHER (OLD 36B-CLA5000)
25	1339500	25-CLA5000	BAIL HOLDER

NEWER W/BALL BEARING/BUSHING COMBO

24	1457401	24-SLaiii6500HS	BAIL WIRE
35	1457403	35-SLaiii6500HS	LINE ROLLER
35A	1457404	35A-SLaiii6500HS	LINE ROLLER BUSHING
35B	1377606	35A-BTLii8000LC	LINE ROLLER BALL BEARING
132	1457405	35A-BTLii8000LC	LINE ROLLER COLLAR

NO 132A ON THE NEWER SETUP

36	1422399	SAME PART	
36B	1417809	SAME PART	
25	1339500	SAME PART	

NOTE: NEWER BAIL WIRE (Penn changed 7digit but not Penn #, MRP corrected this)

CORRECTIONS and notes

- 22A ~~4418982~~ ~~22A-SLA3500~~ DRAG COVER SCREW (4 REQUIRED)
1496533 **22A-SLA7500** DRAG COVER SCREW (4 REQUIRED) *** USE THIS PART NUMBER

While the 3500 size screw has the same threading, the head is smaller and the 22A-SLA7500 that is in the reel is the more secure screw

- 39A 1277066 39A-SSV5500 SPOOL ADJUST WASHER, PLASTIC
 There may be more of these 39a, above and below the ratchet on the shaft, than shown on the drawing. Penn seems to have used them as a shim on the assembly line to adjust the level of the spool on the shaft.

- 47C 1419059 47C-SLA5500 DRAG COVER
 The first schematic had a typo of 47S-SLA5500, corrected

PROBLEM / CHANGE

1E 1419027 1E-SLA6500 BODY SLOPE
***** DO NOT OVERTIGHTEN THE SCREWS ON THE SLOPE, IT WILL SNAP!**
 1E was on the Rev 0 schematic but removed Rev 1
NOTE: SLAi series sizes 6500 thru 10500
ALL have a Manual Bail Trip
 So 1E was removed and may only be present in early run reels if at all.

MYSTIC REEL PARTS REVISION!

NOTE:
 Many of www.mysticparts.com schematics include changes that were either made by Penn, or errors found and corrected by our parts dept.
 MRP Ver 100822 (based on Penn's Rev. 1 07-01-17)