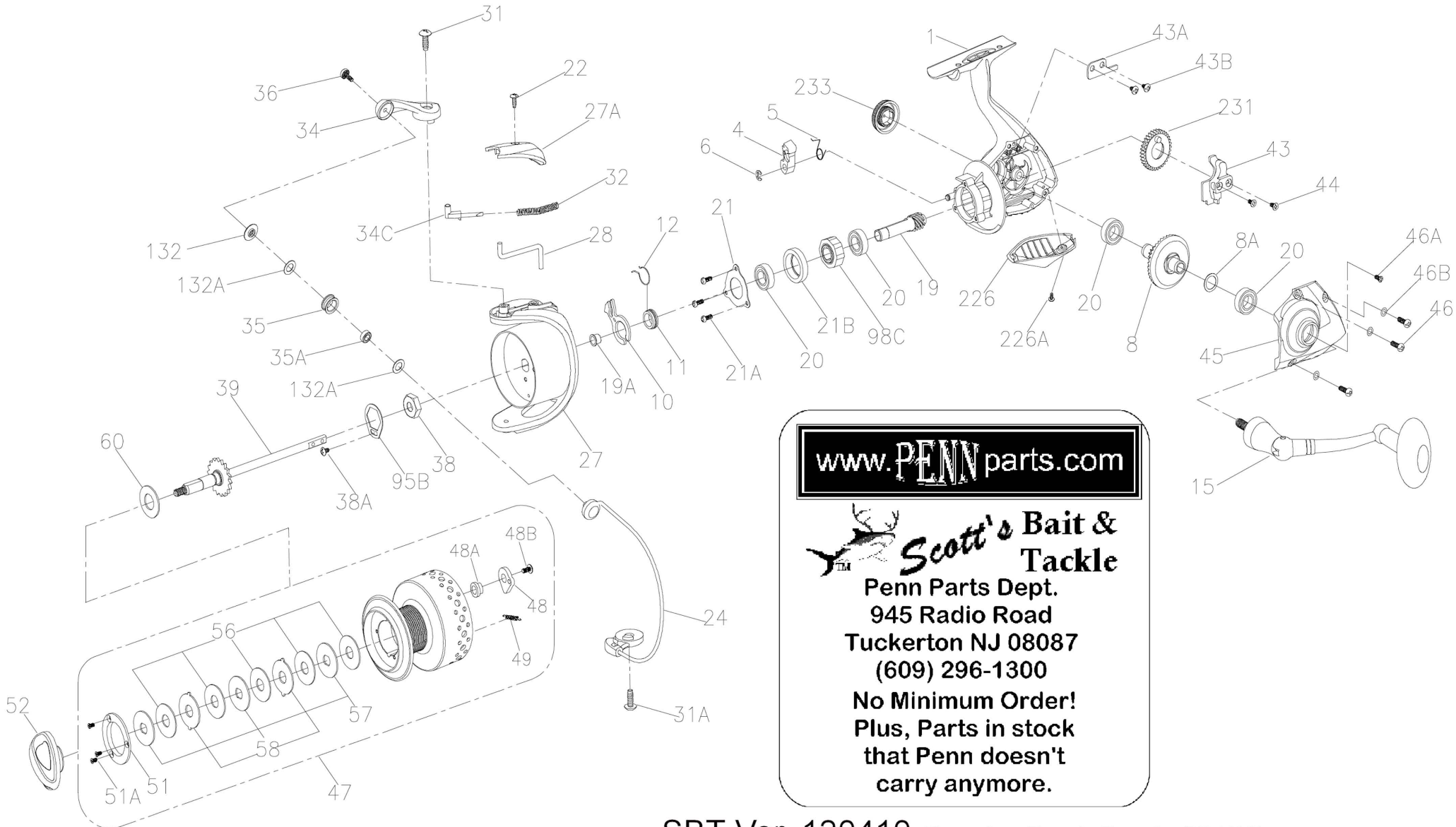
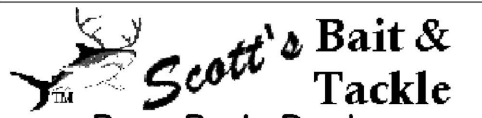




PARTS LIST FOR MODELS SG6000



[www.PENNparts.com](http://www.PENNparts.com)



Penn Parts Dept.  
945 Radio Road  
Tuckerton NJ 08087  
(609) 296-1300

**No Minimum Order!**  
**Plus, Parts in stock**  
**that Penn doesn't**  
**carry anymore.**

## Penn Reel Parts list for:

## Model: SG6000 Sargus Spinning Series

KEY	PureFishing	PART	
NO	Part #	NO.	DESCRIPTION
1	1190838	1-6000SG	HOUSING
4	1190937	4-5000SG	A/R DOG
5	1190966	5-5000SG	A/R DOG SPRING
6	1190979	6-5000SG	RETAINING CLIP
8	1191019	8-5000SG	MAIN GEAR ASSEMBLY
8A	1191030	8A-5000SG	MAIN GEAR SHIM
10	1191066	10-5000SG	A/R HOLDER
11	1191085	11-5000SG	BUSHING
12	1191090	12-5000SG	A/R BUSHING SPRING
15	1211609	15-5000BTL	HANDLE ASSEMBLY (Old #15-5000BTL)
19	1191240	19-5000SG	PINION GEAR
19A	1191253	19A-5000SG	PINION BUSHING (2 REQUIRED)
20	1192613	20-5000SG	BALL BEARING (4 REQUIRED)
21	1192636	21-5000SG	BEARING RETAINER
21A	1192645	21A-5000SG	BEARING RETAINER SCREW (3 REQUIRED)
21B	1192650	21B-5000SG	COLLAR
22	1192661	22-5000SG	BAIL ARM COVER SCREW
24	1191314	24-6000SG	BAIL WIRE
27	1191419	27-6000SG	ROTOR CUP
27A	1200071	27A-6000SG	BAIL PIVOT COVER
28	1191486	28-5000SG	TRIP LEVER
31	1191569	31-5000SG	BAIL ARM SCREW
31A	1191575	31A-5000SG	BAIL CAM SCREW
32	1200520	32-6000SG	BAIL SPRING
34	1200521	34-6000SG	BAIL ARM
34C	1191652	34C-5000SG	PIVOT ARM
35	1191674	35-3000SG	LINE ROLLER
35A	1191683	35A-3000SG	LINE ROLLER BEARING
36	1191703	36-5000SG	BAIL STUD SCREW
38	1191729	38-5000SG	ROTOR NUT

KEY	PureFishing	PART	
NO	Part #	NO.	DESCRIPTION
38A	1191736	38A-5000SG	ROTOR LOCKING PLATE SCREW
39	1200205	39-6000SG	SPOOL SHAFT
43	1191805	43-5000SG	CROSSWIND BLOCK
43A	1191820	43A-5000SG	CROSSWIND BLOCK PLATE
43B	1191827	43B-5000SG	CROSSWIND BLOCK PLATE SCREW
44	1191845	44-5000SG	CROSSWIND BLOCK SCREW
45	1191873	45-6000SG	HOUSING COVER
46	1191903	46-5000SG	HOUSING COVER SCREW (3 REQUIRED)
46A	1191906	46A-3000SG	HOUSING COVER SCREW A
46B	1191908	46B-5000SG	HOUSING COVER WASHER (3 REQUIRED)
47	1191941	47-6000SG	SPOOL ASSEMBLY
48	1211625	48-5000SG	CLICK TONGUE
48A	1211626	48A-5000SG	CLICK TONGUE WASHER
48B	1211612	48B-5000SG	SPOOL CLICK SCREW
49	1211627	49-5000SG	CLICK TONGUE SPRING
51	1191978	51-5000SG	RETAINING SPACER
51A	1191986	51A-3000SG	RETAINING SCREW (3 REQUIRED)
52	1191997	52-5000SG	DRAG KNOB
56	1192036	56-5000SG	DRAG WASHER FELT (5 REQUIRED)
57	1192044	57-5000SG	KEYED DRAG WASHER (3 REQUIRED)
58	1192053	58-5000SG	EARRED DRAG WASHER (2 REQUIRED)
60	1192062	60-5000SG	THRUST WASHER
95B	1192186	95B-5000SG	ROTOR LOCKING PLATE
98C	1192215	98C-5000SG	CLUTCH/SLEEVE ASSEMBLY
132	1192297	132-5000SG	ROLLER WASHER
132A	1192302	132A-3000SG	LINE ROLLER WASHER
226	1192460	226-5000SG	REAR COVER
226A	1192473	226A-3000SG	REAR COVER SCREW
231	1200523	231-6000SG	CROSSWIND GEAR
233	1192523	233-5000SG	BEARING COVER

NOTE: Many of [www.pennparts.com](http://www.pennparts.com) schematics include changes that were either made by Penn, or errors found and corrected by our parts dept.  
 SBT Ver. 120410 (based on Penn's 407-5000sg Rev 6. 5/31/10)

NOTES: Original schematic had 4 separate part numbers for the bearings 20-5000SG, 20A-5000SG, 20B-5000SG and 20C-5000SG  
 HOWEVER..all the bearings were IDENTICAL: use #20-5000SG as per [Pennparts.com](http://Pennparts.com)/later Penn revisions