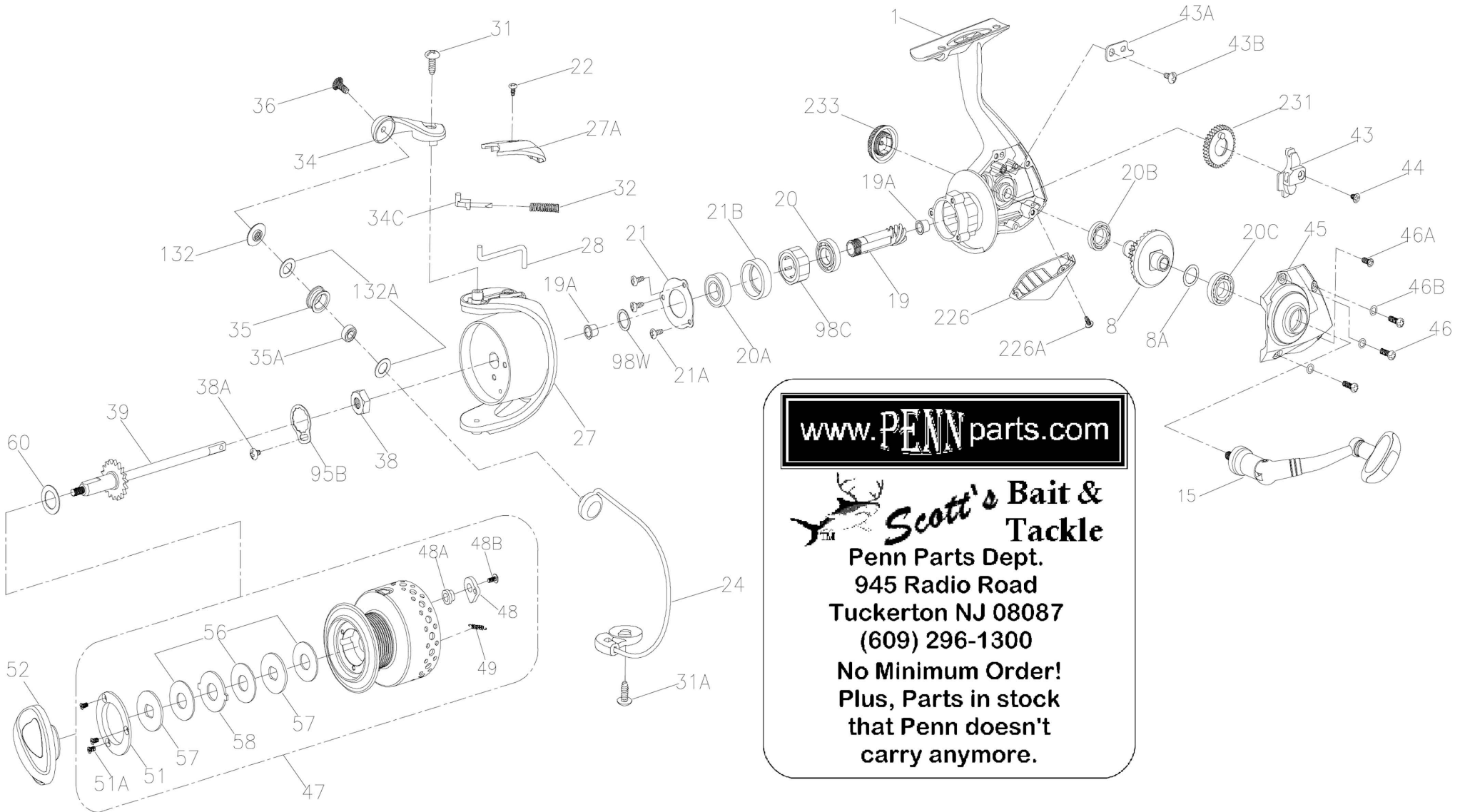




PARTS LIST FOR MODELS SG4000



www.PENNparts.com

 **Scott's Bait & Tackle**
Penn Parts Dept.
945 Radio Road
Tuckerton NJ 08087
(609) 296-1300
No Minimum Order!
Plus, Parts in stock that Penn doesn't carry anymore.

Penn Reel Parts list for Model: SG4000 Sargus Spinning Series

KEY	PUREFISHING	PENN PART		KEY	PUREFISHING	PENN PART	
NO	NO.	NO.	DESCRIPTION	NO	NO.	NO.	DESCRIPTION
1	1190833	1-4000SG	HOUSING	43	1200531	43-4000SG	CROSSWIND BLOCK
8	1191017	8-3000SG	MAIN GEAR ASSEMBLY	43A	1191818	43A-3000SG	CROSSWIND BLOCK PLATE
8A	1191028	8A-3000SG	MAIN GEAR SHIM	43B	1191826	43B-3000SG	CROSSWIND BLOCK PLATE SCREW
15	1211587	15-3000BTL	HANDLE ASSEMBLY	44	1191843	44-3000SG	CROSSWIND BLOCK SCREW
19	1191231	19-3000SG	PINION GEAR	45	1191863	45-4000SG	HOUSING COVER
19A	1191252	19A-3000SG	PINION BUSHING (2 REQUIRED)	46	1191901	46-3000SG	HOUSING COVER SCREW (3 REQUIRED)
20	1192611	20-3000SG	LOWER PINION BALL BEARING	46A	1191906	46A-3000SG	HOUSING COVER SCREW A
20A	1192617	20A-3000SG	UPPER PINION BALL BEARING	46B	1191907	46B-3000SG	HOUSING COVER WASHER (3 REQUIRED)
20B	1192619	20B-3000SG	HOUSING BALL BEARING	47	1191925	47-4000SG	SPOOL ASSEMBLY
20C	1192622	20C-3000SG	HOUSING COVER BALL BEARING	48	1211604	48-3000SG	CLICK TONGUE
21	1192631	21-3000SG	BEARING RETAINER	48A	1214226	48A-3000SG	CLICK TONGUE WASHER
21A	1192644	21A-3000SG	BEARING RETAINER SCREW (3 REQUIRED)	48B	1214189	48B-3000SG	SPOOL CLICK SCREW
21B	1192648	21B-3000SG	COLLAR	49	1211605	49-3000SG	CLICK TONGUE SPRING
21C	-n/a-	21C-3000SG	SHIM (**NOT ON ORIG. SCHEMATIC, ASSIGNED #	51	1191976	51-3000SG	RETAINING SPACER
22	1192660	22-3000SG	BAIL ARM COVER SCREW	51A	1191986	51A-3000SG	RETAINING SCREW (3 REQUIRED)
24	1191297	24-4000SG	BAIL WIRE	52	1191995	52-3000SG	DRAG KNOB
27	1191406	27-4000SG	ROTOR CUP	56	1192035	56-3000SG	DRAG WASHER FELT (3 REQUIRED)
27A	1191448	27A-4000SG	BAIL PIVOT COVER	57	1192043	57-3000SG	KEYED DRAG WASHER (2 REQUIRED)
28	1191484	28-4000SG	TRIP LEVER	58	1192052	58-3000SG	EARRED DRAG WASHER
31	1191567	31-3000SG	BAIL ARM SCREW	60	1192060	60-3000SG	THRUST WASHER
31A	1191574	31A-3000SG	BAIL CAM SCREW	95B	1192185	95B-3000SG	ROTOR LOCKING PLATE
32	1191586	32-3000SG	BAIL SPRING	98C	1192212	98C-3000SG	CLUTCH/SLEEVE ASSEMBLY
34	1191628	34-3000SG	BAIL ARM	98W	1192229	98W-3000SG	CLUTCH WASHER
34C	1191650	34C-3000SG	PIVOT ARM	132	1192296	132-3000SG	ROLLER WASHER
35	1191674	35-3000SG	LINE ROLLER	132A	1192302	132A-3000SG	LINE ROLLER WASHER
35A	1191683	35A-3000SG	LINE ROLLER BEARING	226	1192457	226-3000SG	REAR COVER
36	1191703	36-5000SG	BAIL STUD SCREW***see note below	226A	1192473	226A-3000SG	REAR COVER SCREW
38	1191728	38-3000SG	ROTOR NUT	231	1200522	231-4000SG	CROSSWIND GEAR
38A	1191734	38A-3000SG	ROTOR LOCKING PLATE SCREW	233	1192519	233-3000SG	BEARING COVER
39	1200204	39-4000SG	SPOOL SHAFT				

NOTE: Many of www.pennparts.com schematics include changes that were either made by Penn, or errors found and corrected by our parts dept.
 SBT Ver. 110313 (based on Penn's 407-3000sg Rev 5. 5/31/10)

NOTES: Orig. schematics listed 15-3000SG, which is discontinued and replaced by 15-3000BTL per Penn
 They also listed 36-3000SG which does NOT fit the 3000/4000SG reels, use 36-5000SG