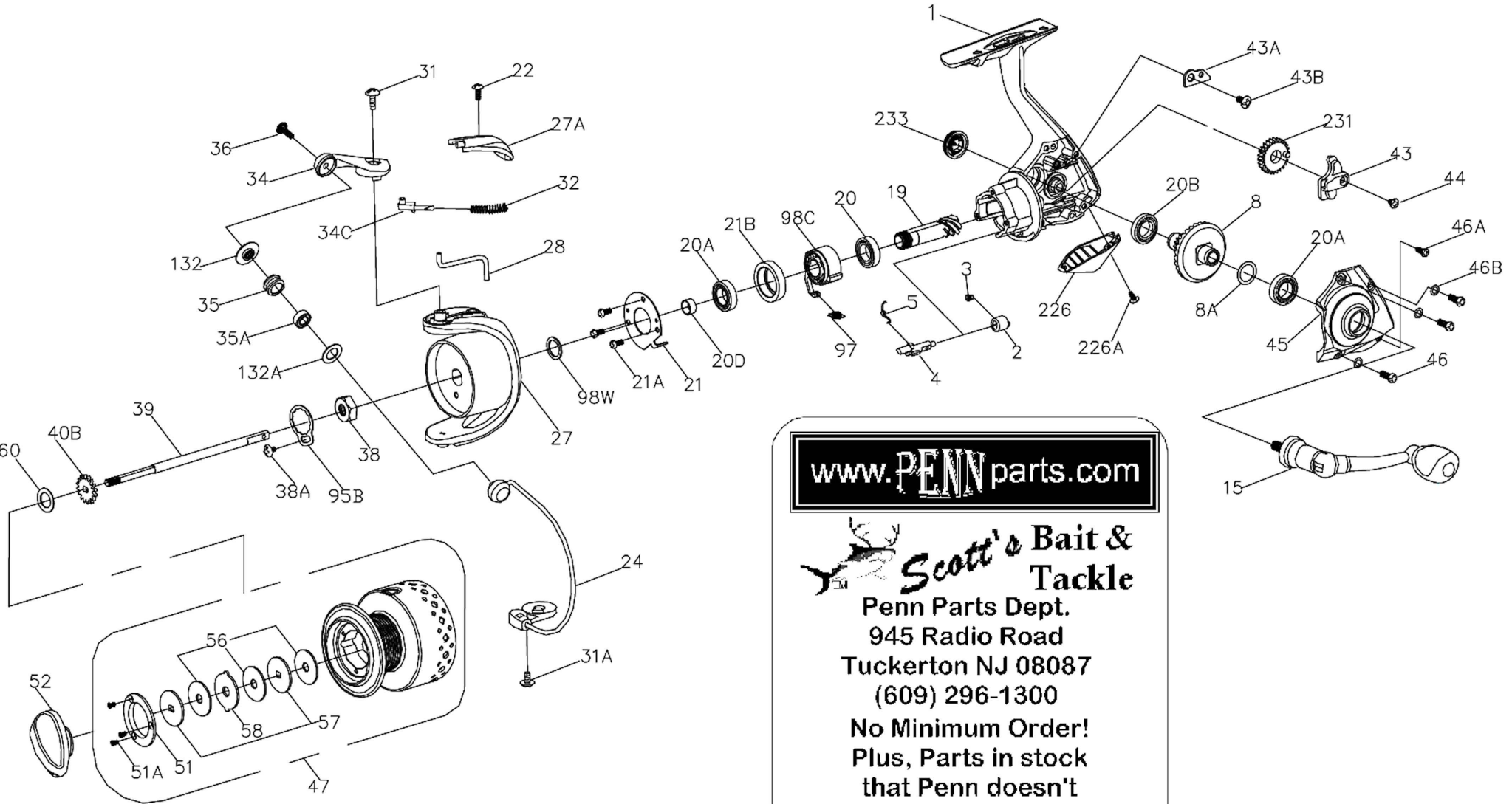




PARTS LIST FOR MODEL SG1000
REEL PART NO.1203159



www.PENNparts.com

 **Scott's Bait & Tackle**

Penn Parts Dept.
945 Radio Road
Tuckerton NJ 08087
(609) 296-1300

No Minimum Order!
Plus, Parts in stock that Penn doesn't carry anymore.

SBT Ver. 102011 (based on Penn's Rev 2)

Penn Reel Parts list for:

Model: SG1000 Sargus Spinning Series

KEY	PUREFISHING	PENN PART		KEY	PUREFISHING	PART	
NO	NO.	NO.	DESCRIPTION	NO	NO.	NO.	DESCRIPTION
1	1207687	1-1000SG	HOUSING	38A	1191734	38A-3000SG	ROTOR LOCKING PLATE SCREW
2	1190889	2-2000SG	A/R LEVER	39	1207728	39-1000SG	SPOOL SHAFT
3	1190922	3-2000SG	A/R LEVER SCREW	40B	1191778	40B-2000SG	CLICK RATCHET
4	1190935	4-2000SG	A/R SHAFT	43	1207729	43-1000SG	CROSSWIND BLOCK
5	1190960	5-2000SG	A/R SPRING	43A	1207730	43A-1000SG	CROSSWIND BLOCK PLATE
8	1207688	8-1000SG	MAIN GEAR ASSEMBLY	43B	1191826	43B-3000SG	CROSSWIND BLOCK PLATE SCREW
8A	1191028	8A-3000SG	MAIN GEAR SHIM	44	1191843	44-3000SG	CROSSWIND BLOCK SCREW
15	1249049	15-1000BTL	HANDLE ASSEMBLY	45	1207731	45-1000SG	HOUSING COVER
19	1207720	19-1000SG	PINION GEAR	46	1251750	46-1000FRC	HOUSING COVER SCREW (3 REQUIRED)
20	1207721	20-1000SG	LOWER PINION BALL BEARING	46A	1191906	46A-3000SG	HOUSING COVER SCREW A
20A	1192616	20A-2000SG	BALL BEARING (PINION & MAIN) (2 REQ.)	46B	1191907	46B-3000SG	HOUSING COVER WASHER (3 REQUIRED)
20B	1192619	20B-3000SG	HOUSING BALL BEARING	47	1207732	47-1000SG	SPOOL ASSEMBLY
20D	1251742	20D-1000SG	BEARING SLEEVE	51	1191975	51-2000SG	RETAINING SPACER
21	1192629	21-2000SG	BEARING RETAINER	51A	1191986	51A-3000SG	RETAINING SCREW (3 REQUIRED)
21A	1207723	21A-1000SG	BEARING RETAINER SCREW (3 REQUIRED)	52	1207733	52-1000SG	DRAG KNOB
21B	1192656	21B-2000SG	COLLAR	56	1192033	56-2000SG	DRAG WASHER FELT (3 REQUIRED)
22	1192658	22-2000SG	BAIL ARM COVER SCREW	57	1251753	57-1000SG	KEYED DRAG WASHER (2 REQUIRED)
24	1207724	24-1000SG	BAIL WIRE	58	1192049	58-2000SG	EARRED DRAG WASHER
27	1207725	27-1000SG	ROTOR CUP	60	1192059	60-2000SG	THRUST WASHER
27A	1207726	27A-1000SG	BAIL PIVOT COVER	95B	1192185	95B-3000SG	ROTOR LOCKING PLATE
28	1249038	28-1000SG	TRIP LEVER	97	1192189	97-2000SG	CLUTCH SPRING
31	1191566	31-2000SG	BAIL ARM SCREW	98C	1207734	98C-1000SG	CLUTCH/SLEEVE ASSEMBLY
31A	1191574	31A-3000SG	BAIL CAM SCREW	98W	1251754	98W-1000FRC	CLUTCH WASHER
32	1207824	32-1000SG	BAIL SPRING	132	1192295	132-2000SG	ROLLER WASHER
34	1191625	34-2000SG	BAIL ARM	132A	1192301	132A-2000SG	LINE ROLLER WASHER
34C	1191648	34C-2000SG	PIVOT ARM	226	1207736	226-1000SG	REAR COVER
35	1191670	35-2000SG	LINE ROLLER	226A	1192473	226A-3000SG	REAR COVER SCREW
35A	1191682	35A-2000SG	LINE ROLLER BEARING	231	1207737	231-1000SG	CROSSWIND GEAR
36	1251748	36-1000FRC	BAIL PIVOT COVER SCREW	233	1192519	233-3000SG	BEARING COVER
38	1207727	38-1000SG	ROTOR NUT				

NOTE: Many of www.pennparts.com schematics include changes that were either made by Penn, or errors found and corrected by our parts dept.
 SBT Ver. 102011 (based on Penn's 407-1000SG Rev. 2 - 5/23/11)

CHANGE Orig. schematic listed 15-1000SG handle, discontinued and subbed to 15-1000BTL per Penn