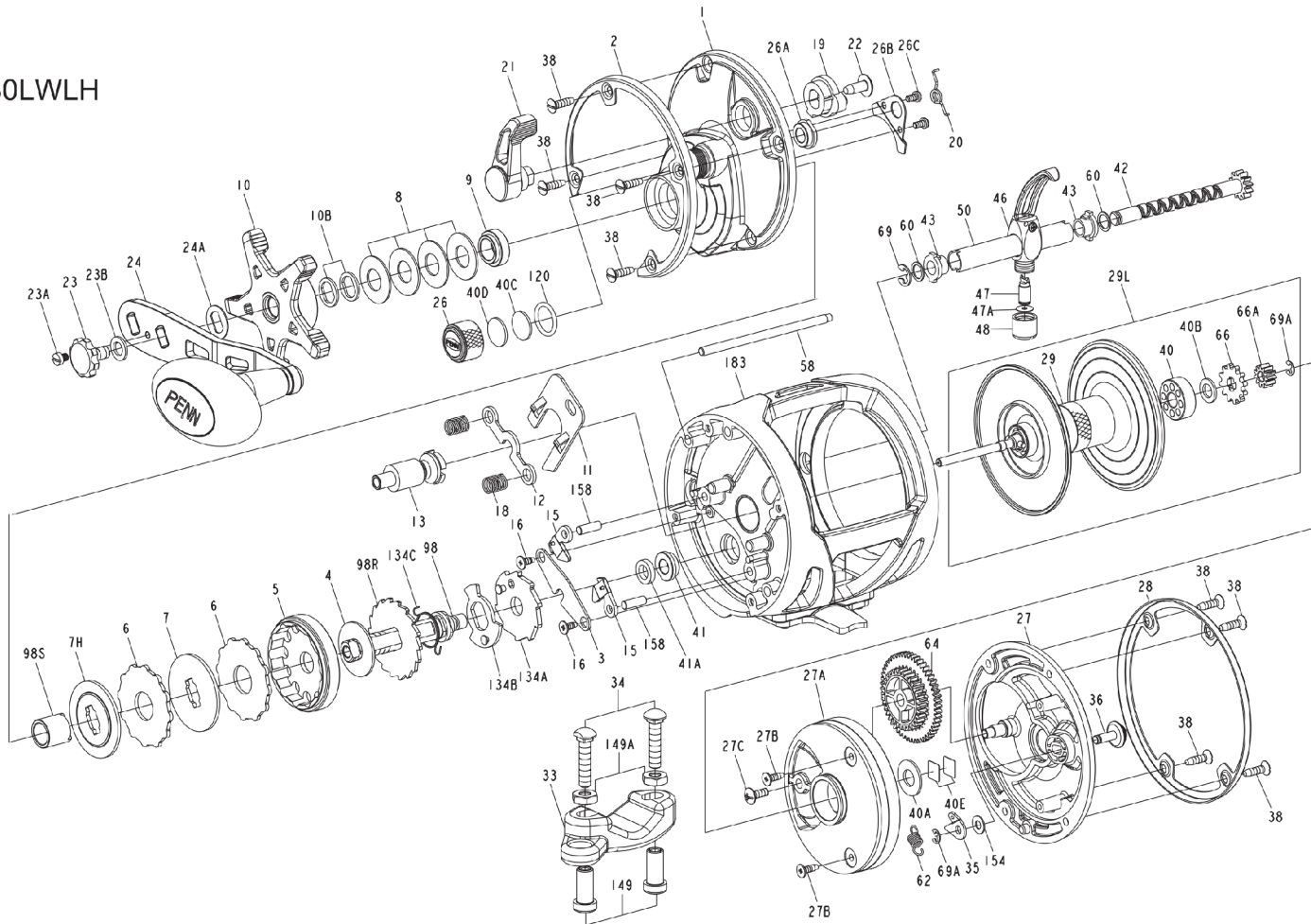
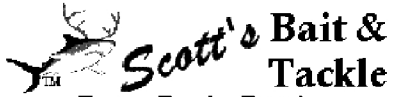




PARTS LIST FOR RVL30LWLH
 REEL ASM. Nos. 1404002



www.PENNparts.com



Penn Parts Dept.
 945 Radio Road
 Tuckerton NJ 08087
 (609) 296-1300
No Minimum Order!
Plus, Parts in stock
that Penn doesn't
carry anymore.

SBT Ver. 091116

(Based on Penn's Rev. 0, 10-19-15)

Penn Reel Parts list for Model: Rival Levelwind RVL30LWLH (Left Handed)

<u>KEY #</u>	<u>PUREFISHING #</u>	<u>PENN PART #</u>	<u>DESCRIPTION</u>	<u>KEY #</u>	<u>PUREFISHING #</u>	<u>PENN PART #</u>	<u>DESCRIPTION</u>
1	1405722	1-RVL30LWLH	HANDLE SIDE PLATE ASSEMBLY (LEFT HAND)	27	1405724	27-RVL30LWLH	NON-HANDLE SIDE PLATE (LEFT HAND)
2	1405723	2-RVL30LWLH	RING, HANDLE SIDE (LEFT HAND)	27A*	??	27A-WAR30LW	BEARING HOUSING
3	1384179	3-WAR15LW	BRIDGE	27B	1383028	27B-WAR15LW	SCREW (2 REQUIRED)
4	1382978	4-WAR15LW	DRAG WASHER, HT100	27C	1383029	27C-WAR15LW	SCREW
5	1406059	5-WAR30LWLH	MAIN GEAR (LEFT HAND)	28	1405718	28-RVL30LW	RING, NON HANDLE SIDE
6	1382978	6-WAR15LW	DRAG WASHER, HT100, EARRD (2 REQUIRED)	29	1405719	29-RVL30LW	SPOOL
7	1382999	7-WAR15LW	KEYED METAL DRAG WASHER	29L	1405720	29L-RVL30LW	SPOOL ASSEMBLY
7H	1383000	7H-WAR15LW	HEAVY METAL DRAG WASHER	33	1182754	33N-113	CLAMP, GRAPHITE WITH RING
8	1383001	8-WAR15LW	SPRING WASHER (4 REQUIRED)	33C	1182773	33C-113	CLAMP KIT WITH STUDS AND NUTS
9	1384180	9-WAR15LW	SPACING SLEEVE	34	1182755	34-45	STUD (2 REQUIRED)
10	1405705	10-RVL15LWLH	STAR DRAG (LEFT HAND)	34C	1182862	34C-45	STUD WITH TWO NUTS (2 REQUIRED)
10B	1383001	10B-WAR15LW	STAR CLICK WASHER	35	1383037	35-WAR15LW	CLICK TONGUE
10C	1383005	10C-WAR15LW	STAR CLICK SPRING	36	1383038	36-WAR15LW	CLICK BUTTON
11	1405741	11-WAR30LWLH	ECCENTRIC JACK (LEFT HAND)	38	1383039	38-WAR15LW	SCREW (8 REQUIRED)
12	1383007	12-WAR15LW	PINION YOKE	40	1383042	40-WAR15LW	BALL BEARING, SPOOL, OUTER, NON HANDLE SIDE
13	1406060	13-WAR30LWLH	PINION (LEFT HAND)	40A*	?? `	40A-WAR30LW	WASHER
15	1383009	15-WAR15LW	ANTI-REVERSE DOG (2 REQUIRED)	40B	1383044	40B-WAR15LW	PLASTIC WASHER*
16	1383010	16-WAR15LW	SCREW, FOR BRIDGE (2 REQUIRED)	40C	1383045	40C-WAR15LW	WASHER, ACETAL THRUST
18	1383011	18-WAR15LW	PINION YOKE SPRING (2 REQUIRED)	40D	1383046	40D-WAR15LW	WASHER, RUBBER THRUST
19*	1383093	19-WAR15LWLH	ECCENTRIC (LEFT HAND)	40E	1383047	40E-WAR15LW	THRUSH WASHER (2-3 REQUIRED)
20	??	20-WAR15LWLH	ECCENTRIC SPRING (LEFT HAND)	41	1383048	41-WAR15LW	BUSHING
20A*	1191256	20-1000AF	BEARING (ATTACHED TO SPOOL SHAFT) *	41A	1384181	41A-WAR15LW	BUSHING
21	1405716	21-RVL30LW	ECCENTRIC LEVER	42	1383318	42-WAR30LW	WORM SHAFT ASSEMBLY
22	1405707	22-RVL15LW	ECCENTRIC SCREW	43	1383051	43-WAR15LW	WORM SHAFT BUSHING (2 REQUIRED)
23	1383016	23-WAR15LW	HANDLE ASSEMBLY SCREW	46	1383288	46-WAR30LW	LINE GUIDE ASSEMBLY
23A	1383017	23A-WAR15LW	HANDLE LOCK SCREW	47	1383053	47-WAR15LW	LINE GUIDE PAWL
23B	1383018	23B-WAR15LW	HANDLE SCREW WASHER	47A	1383054	47A-WAR15LW	PAWL SHIM
24	1405687	24-RVL15LW	HANDLE ASSEMBLY	48	1383055	48-WAR15LW	LINE GUIDE NUT
24A	1383020	24A-WAR15LW	HANDLE THRUST WASHER	50	1383057	50-WAR20LW	WORM SHIELD
26	1405688	26-RVL15LW	SPOOL TENSION CONTROL CAP	58	1383059	58-WAR20LW	LINE GUIDE POST
26A	1383022	26A-WAR15LW	BUSHING	60	1383060	60-WAR15LW	WORM SHAFT WASHER (2 REQUIRED)
26B	1383023	26B-WAR15LW	CLUTCH RETAINER	62	1383061	62-WAR15LW	SPRING
26C	1383024	26C-WAR15LW	SCREW, FOR CLUTCH RETAINER (2 REQUIRED)	64	1383289	64-WAR30LW	IDLER GEAR

66	1383290	66-WAR30LW	CLICK RATCHET	134A	1383072	134A-WAR15LW	CLUTCH RECOVER PLATE
66A	1383064	66A-WAR15LW	SPOOL GEAR	134B	1383073	134B-WAR15LW	CLUTCH RECOVER SUPPORT PLATE
69	1383065	69-WAR15LW	RETAINER RING	134C	1383074	134C-WAR15LW	CLUTCH RECOVER SPRING
69A	1383066	69A-WAR15LW	RETAINER RING (2 REQUIRED)	149	1184702	149-45	ROD CLAMP NUT (2 REQUIRED)
98	1383094	98-WAR15LWLH	MAIN GEAR SHAFT (LEFT HAND)	149A	1184706	149-200	HEX NUT (2 REQUIRED)
98R	1383069	98R-WAR15LW	ANTI REVERSE RATCHET	154	1383077	154-WAR15LW	CLICK BUTTON WASHER
98S	1383070	98S-WAR15LW	CLUTCH SLEEVE	158	1383078	158-WAR15LW	DOG PIN (2 REQUIRED)
120	1383071	120-WAR15LW	O-RING	183	1405743	183-WAR30LWLH	FRAME ASSEMBLY (LEFT HAND)

NOTE: Many of www.pennparts.com schematics include changes that were either made by Penn, or errors found and corrected by our parts dept.

SBT Ver. 091116 (Based on Penn's Rev 0. 10-19-15)

ERRORS/CORRECTIONS/NOTES:

*19 - ON REV 0 THIS HAD A TYPO LISTING 19-WAR15LW AS THE ECCENTRIC, BUT IT NEEDS A LEFT HANDED ECC. WHICH IS 98-WAR15LWLH

*20A PART # matched up by Pennparts.com, this was not assigned a part # by Penn, they consider it part of the spool

*27A on the Rival 30's was incorrectly listed as 27A-WAR15LW, but it is different - assigned # 27A-WAR30LW

*40A one the Rival 30's was incorrectly listed as 40A-WAR15LW, but it is different - assigned # 40A-WAR30LW

*134A, 134B, 134C - Rev. 0 on Penn's schematic lists these as standard parts. We assume this is an ERROR, since all of the other RVL left handed reels list those three parts as LH. Correct in reels RVL30LWLH and RVL30LWLCLH