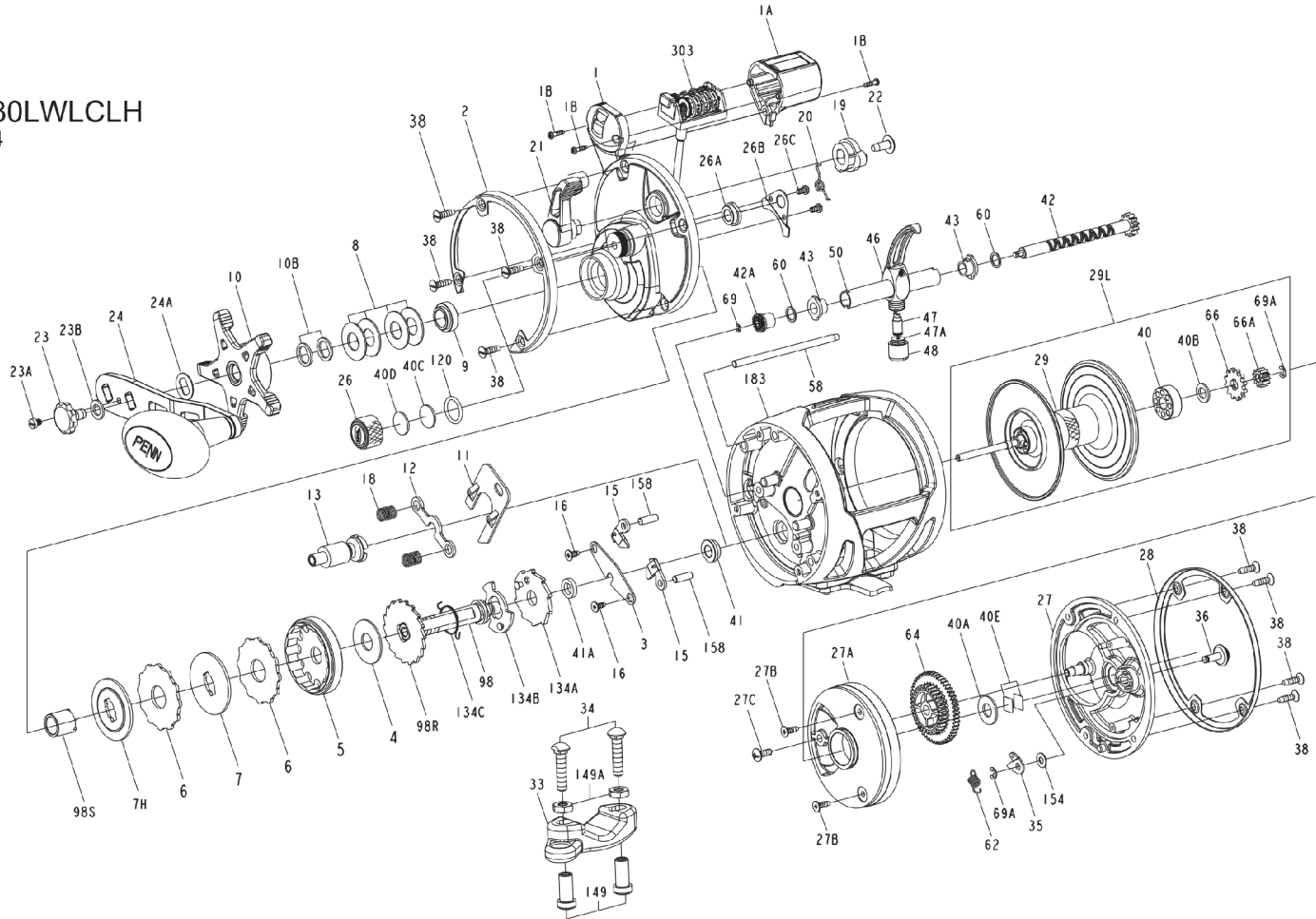




PARTS LIST FOR RVL30LWLCLH
 REEL ASM. Nos. 1404004



www.PENNparts.com

Scott's Bait & Tackle

Penn Parts Dept.
 945 Radio Road
 Tuckerton NJ 08087
 (609) 296-1300

No Minimum Order!
Plus, Parts in stock
that Penn doesn't
carry anymore.

SBT Ver. 091116

(Based on Penn's Rev. 0, 10-19-15)

Penn Reel Parts list for Model: Rival Levelwind RVL30LWLCLH (Line Counter) (Left Hand)

<u>KEY #</u>	<u>PUREFISHING #</u>	<u>PENN PART #</u>	<u>DESCRIPTION</u>	<u>KEY #</u>	<u>PUREFISHING #</u>	<u>PENN PART #</u>	<u>DESCRIPTION</u>
1	1405730	1-RVL30LWLCLH	HANDLE SIDE PLATE ASSEMBLY (LEFT HAND)	26B	1383023	26B-WAR15LW	CLUTCH RETAINER
1A	1383100	1-WAR15LWLCLH	LINE COUNTER COVER (LEFT HAND)	26C	1383024	26C-WAR15LW	SCREW, FOR CLUTCH RETAINER (2 REQUIRED)
1B	1383084	1B-WAR15LWLC	SCREW, LINE COUNTER COVER (3 REQUIRED)	27	1405732	27-RVL30LWLCLH	NON-HANDLE SIDE PLATE (LEFT HAND)
2	1405731	2-RVL30LWLCLH	RING, HANDLE SIDE (LEFT HAND)	27A*	??	27A-WAR30LW	BEARING HOUSING
3	1384179	3-WAR15LW	BRIDGE	27B	1383028	27B-WAR15LW	SCREW (2 REQUIRED)
4	1382978	4-WAR15LW	DRAG WASHER, HT100	27C	1383029	27C-WAR15LW	SCREW
5	1406059	5-WAR30LWLH	MAIN GEAR (LEFT HAND)	28	1405718	28-RVL30LW	RING, NON HANDLE SIDE
6	1382978	6-WAR15LW	DRAG WASHER, HT100, EARRD (2 REQUIRED)	29	1405719	29-RVL30LW	SPOOL
7	1382999	7-WAR15LW	KEYED METAL DRAG WASHER	29L	1405720	29L-RVL30LW	SPOOL ASSEMBLY
7H	1383000	7H-WAR15LW	HEAVY METAL DRAG WASHER	33	1182754	33N-113	CLAMP, GRAPHITE WITH RING
8	1383001	8-WAR15LW	SPRING WASHER (4 REQUIRED)	33C	1182773	33C-113	CLAMP KIT WITH STUDS AND NUTS
9	1384180	9-WAR15LW	SPACING SLEEVE	34	1182755	34-45	STUD (2 REQUIRED)
10	1405705	10-RVL15LWLH	STAR DRAG (LEFT HAND)	34C	1182862	34C-45	STUD WITH TWO NUTS (2 REQUIRED)
10B	1383001	10B-WAR15LW	STAR CLICK WASHER	35	1383037	35-WAR15LW	CLICK TONGUE
10C	1383005	10C-WAR15LW	STAR CLICK SPRING	36	1383038	36-WAR15LW	CLICK BUTTON
11	1405741	11-WAR30LWLH	ECCENTRIC JACK (LEFT HAND)	38	1383039	38-WAR15LW	SCREW (8 REQUIRED)
12	1383007	12-WAR15LW	PINION YOKE	40	1383042	40-WAR15LW	BALL BEARING, SPOOL, OUTER, NON HANDLE SIDE
13	1406060	13-WAR30LWLH	PINION (LEFT HAND)	40A*	?? `	40A-WAR30LW	WASHER
15	1383009	15-WAR15LW	ANTI-REVERSE DOG (2 REQUIRED)	40B	1383044	40B-WAR15LW	PLASTIC WASHER*
16	1383010	16-WAR15LW	SCREW, FOR BRIDGE (2 REQUIRED)	40C	1383045	40C-WAR15LW	WASHER, ACETAL THRUST
18	1383011	18-WAR15LW	PINION YOKE SPRING (2 REQUIRED)	40D	1383046	40D-WAR15LW	WASHER, RUBBER THRUST
19	1383093	19-WAR15LWLH	ECCENTRIC (LEFT HAND)	40E	1383047	40E-WAR15LW	THRUSH WASHER (2-3 REQUIRED)
20	??	20-WAR15LWLH	ECCENTRIC SPRING (LEFT HAND)	41	1383048	41-WAR15LW	BUSHING
20A*	1191256	20-1000AF	BEARING (ATTACHED TO SPOOL SHAFT) *	41A	1384181	41A-WAR15LW	BUSHING
21	1405716	21-RVL30LW	ECCENTRIC LEVER	42	1406061	42-WAR30LWLC	WORM SHAFT ASSEMBLY
22	1405707	22-RVL15LW	ECCENTRIC SCREW	42A	1405737	42A-WAR30LWLC	GEAR FOR LINE COUNTER DRIVE
23	1383016	23-WAR15LW	HANDLE ASSEMBLY SCREW	43	1383051	43-WAR15LW	WORM SHAFT BUSHING (2 REQUIRED)
23A	1383017	23A-WAR15LW	HANDLE LOCK SCREW	46	1383288	46-WAR30LW	LINE GUIDE ASSEMBLY
23B	1383018	23B-WAR15LW	HANDLE SCREW WASHER	47	1383053	47-WAR15LW	LINE GUIDE PAWL
24	1405687	24-RVL15LW	HANDLE ASSEMBLY	47A	1383054	47A-WAR15LW	PAWL SHIM
24A	1383020	24A-WAR15LW	HANDLE THRUST WASHER	48	1383055	48-WAR15LW	LINE GUIDE NUT
26	1405688	26-RVL15LW	SPOOL TENSION CONTROL CAP	50	1383057	50-WAR20LW	WORM SHIELD
26A	1383022	26A-WAR15LW	BUSHING				

58	1383059	58-WAR20LW	LINE GUIDE POST	98S	1383070	98S-WAR15LW	CLUTCH SLEEVE
60	1383060	60-WAR15LW	WORM SHAFT WASHER (2 REQUIRED)	120	1383071	120-WAR15LW	O-RING
62	1383061	62-WAR15LW	SPRING	134A*	1383095	134A-WAR15LWLH	CLUTCH RECOVER PLATE (LEFT HAND)
64	1383289	64-WAR30LW	IDLER GEAR	134B*	1383096	134B-WAR15LWLH	CLUTCH RECOVER SUPPORT PLATE (LEFT HAND)
66	1383290	66-WAR30LW	CLICK RATCHET	134C*	1383097	134C-WAR15LWLH	CLUTCH RECOVER SPRING (LEFT HAND)
66A	1383064	66A-WAR15LW	SPOOL GEAR	149	1184702	149-45	ROD CLAMP NUT (2 REQUIRED)
69*	??	69-WAR15LWLC	RETAINER RING	149A	1184706	149-200	HEX NUT (2 REQUIRED)
69A	1383066	69A-WAR15LW	RETAINER RING (2 REQUIRED)	154	1383077	154-WAR15LW	CLICK BUTTON WASHER
98	1383067	98-WAR15LW	MAIN GEAR SHAFT	158	1383078	158-WAR15LW	DOG PIN (2 REQUIRED)
98R	1383069	98R-WAR15LW	ANTI REVERSE RATCHET	183	1405743	183-WAR30LWLH	FRAME ASSEMBLY (LEFT HAND)
				303*	??	303-WAR30LWLCLH	COUNTER WHEEL ASSEMBLY (LEFT HAND)

NOTE: Many of www.pennparts.com schematics include changes that were either made by Penn, or errors found and corrected by our parts dept.

SBT Ver. 091116 (Based on Penn's Rev 0. 10-19-15)

ERRORS/CORRECTIONS/NOTES:

*19 - ON REV 0 THIS HAD A TYPO LISTING 19-WAR15LW AS THE ECCENTRIC, BUT IT NEEDS A LEFT HANDED ECC. WHICH IS 98-WAR15LWLH

*20A PART # matched up by Pennparts.com, this was not assigned a part # by Penn, they consider it part of the spool

*27A on the Rival 30's was incorrectly listed as 27A-WAR15LW, but it is different - assigned # 27A-WAR30LW

*40A one the Rival 30's was incorrectly listed as 40A-WAR15LW, but it is different - assigned # 40A-WAR30LW

* 69 The retaining rings are different than 69-WAR15LW...assigned number is 69-WAR15LWLC (and applies to all the WAR and RVL LC reels)

*134A, 134B, 134C - Rev. 0 on Penn's schematic lists these as standard parts. We assume this is an ERROR, since all of the other RVL left handed reels list those three parts as LH. Correct in reels RVL30LWLH and RVL30LWLCLH

PAGE 3 OF 3

303* Counter wheel is incorrectly listed as 303-WAR15LWLCLH, but it is longer...assigned # 303-WAR30LWLCLH