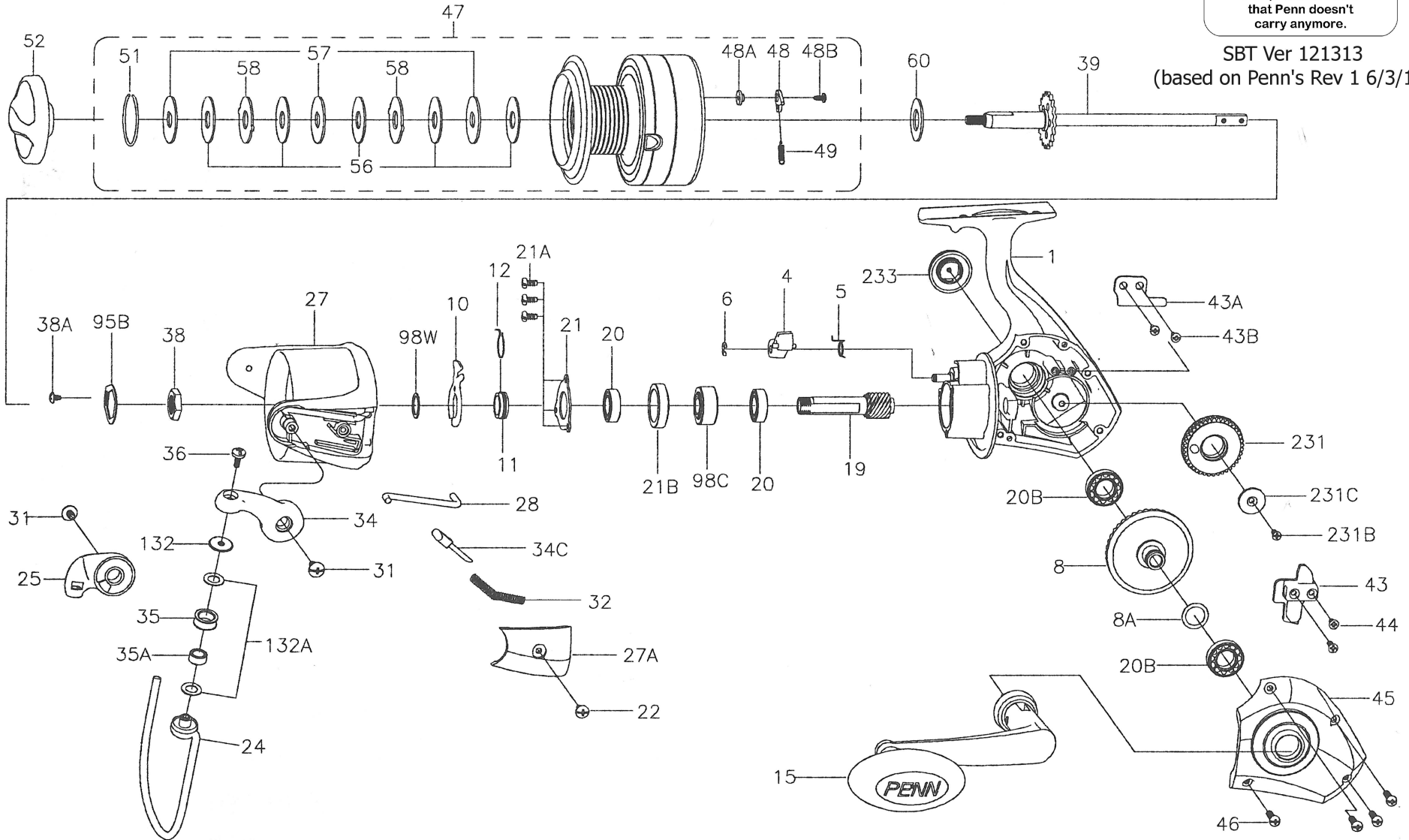




# Parts List for Model PURII7000

www.PENNparts.com  
**Scott's Bait & Tackle**  
Penn Parts Dept.  
945 Radio Road  
Tuckerton NJ 08087  
(609) 296-1300  
No Minimum Order!  
Plus, Parts in stock  
that Penn doesn't  
carry anymore.

SBT Ver 121313  
(based on Penn's Rev 1 6/3/13)



## Penn Reel Parts list for Model: PURII7000 Pursuit ii Spinning Series

PUREFISHING				PUREFISHING			
KEY NO	PART NO.	PART #	DESCRIPTION	KEY NO	PART NO.	PART #	DESCRIPTION
1	1-PURII7000	1308167	HOUSING	38	38-7000PUR	1204084	ROTOR NUT
4	4-7000SG	1190939	A/R DOG	38A	38A-3000PUR	1203995	ROTOR LOCKING PLATE SCREW
5	5-5000SG	1190966	A/R DOG SPRING	39	39-7000PUR	1204086	SPOOL SHAFT
6	6-5000SG	1190979	RETAINING CLIP	43	43-7000PUR	1204087	CROSSWIND BLOCK
8	8-7000PUR	1204062	MAIN GEAR ASSEMBLY	43A	43A-7000SG	1191821	CROSSWIND BLOCK PLATE
8A	8A-7000SG	1191031	MAIN GEAR SHIM	43B	43B-3000PUR	1203997	CROSSWIND BLOCK PLATE SCREW (2 REQUIRED)
10	10-7000SG	1191068	A/R HOLDER	44	44-5000SG	1191845	CROSSWIND BLOCK SCREW (2 REQUIRED)
11	11-7000SG	1191087	BUSHING	45	45-PURII7000	1308175	HOUSING COVER
12	12-5000SG	1191090	A/R BUSHING SPRING	46	46-PURII5000	1308176	HOUSING COVER SCREW (4 REQUIRED)
15	15-PURII7000	1308169	HANDLE ASSEMBLY	47	47-PURII7000	1308177	SPOOL ASSEMBLY
19	19-7000PUR	1204065	PINION GEAR	48	48-5000SG	1211625	CLICK TONGUE
20	20-5000PUR	1204012	BALL BEARING (2 REQUIRED)	48A	48A-5000SG	1211626	CLICK TONGUE WASHER
20B	20B-7000PUR	1204068	BALL BEARING (2 REQUIRED)	48B	48B-5000SG	1211612	SPOOL CLICK SCREW
21	21-5000SG	1192636	BEARING RETAINER	49	49-45000SG	1211627	CLICK TONGUE SPRING
21A	21A-5000PUR	1204016	BEARING RETAINER SCREW (3 REQUIRED)	51	51-8000PUR	1287231	DRAG RETAINING RING
21B	21B-5000SG	1192650	COLLAR	52	52-PURII7000	1308179	DRAG KNOB
22	22-6000PUR	1204018	BAIL ARM COVER SCREW	56	56-7000SG	1192038	DRAG WASHER HT100 (5 REQUIRED)
24	24-PURII7000	1308170	BAIL WIRE	57	57-7000SG	1192046	KEYED DRAG WASHER (3 REQUIRED)
25	25-PURII6000	1308159	BAIL HOLDER	58	58-7000SG	1192055	EARRED DRAG WASHER (2 REQUIRED)
27	27-PURII7000	1308173	ROTOR CUP W/WEIGHT & SCREW	60	60-5000SG	1192062	THRUST WASHER
27A	27A-7000PUR	1204076	BAIL PIVOT COVER	95B	95B-5000SG	1192186	ROTOR LOCKING PLATE
28	28-7000PUR	1204077	TRIP LEVER	98C	98C-5000SG	1192215	CLUTCH/SLEEVE ASSEMBLY
31	31-6000PUR	1204039	BAIL ARM SCREW (2 REQUIRED)	98W	98W-7000FRC	1216770	CLUTCH WASHER
32	32-6000SG	1200520	BAIL SPRING	132	132-5000SG	1192297	ROLLER WASHER
34	34-6000FRC	1214201	BAIL ARM	132A	132A-3000SG	1192302	LINE ROLLER WASHER (2 REQUIRED)
34C	34C-7000SG	1191656	PIVOT ARM	231	231-7000SG	1192507	CROSSWIND GEAR
35	35-3000SG	1191674	LINE ROLLER	231B	231B-7000PUR	1204097	CROSSWIND GEAR SCREW
35A	35A-3000PUR	1203992	LINE ROLLER BEARING	231C	231C-7000PUR	1204098	CROSSWIND SLEEVE
36	36-3000PUR	1203993	BAIL STUD SCREW	233	233-PURII5000	1308166	BEARING COVER

NOTE: Many of [www.pennparts.com](http://www.pennparts.com) schematics include changes that were either made by Penn, or errors found and corrected by our parts dept.  
 SBT Ver. 121313 (based on Penn's 407-PURII7000/PURII8000 Rev. 1 6-3-13)