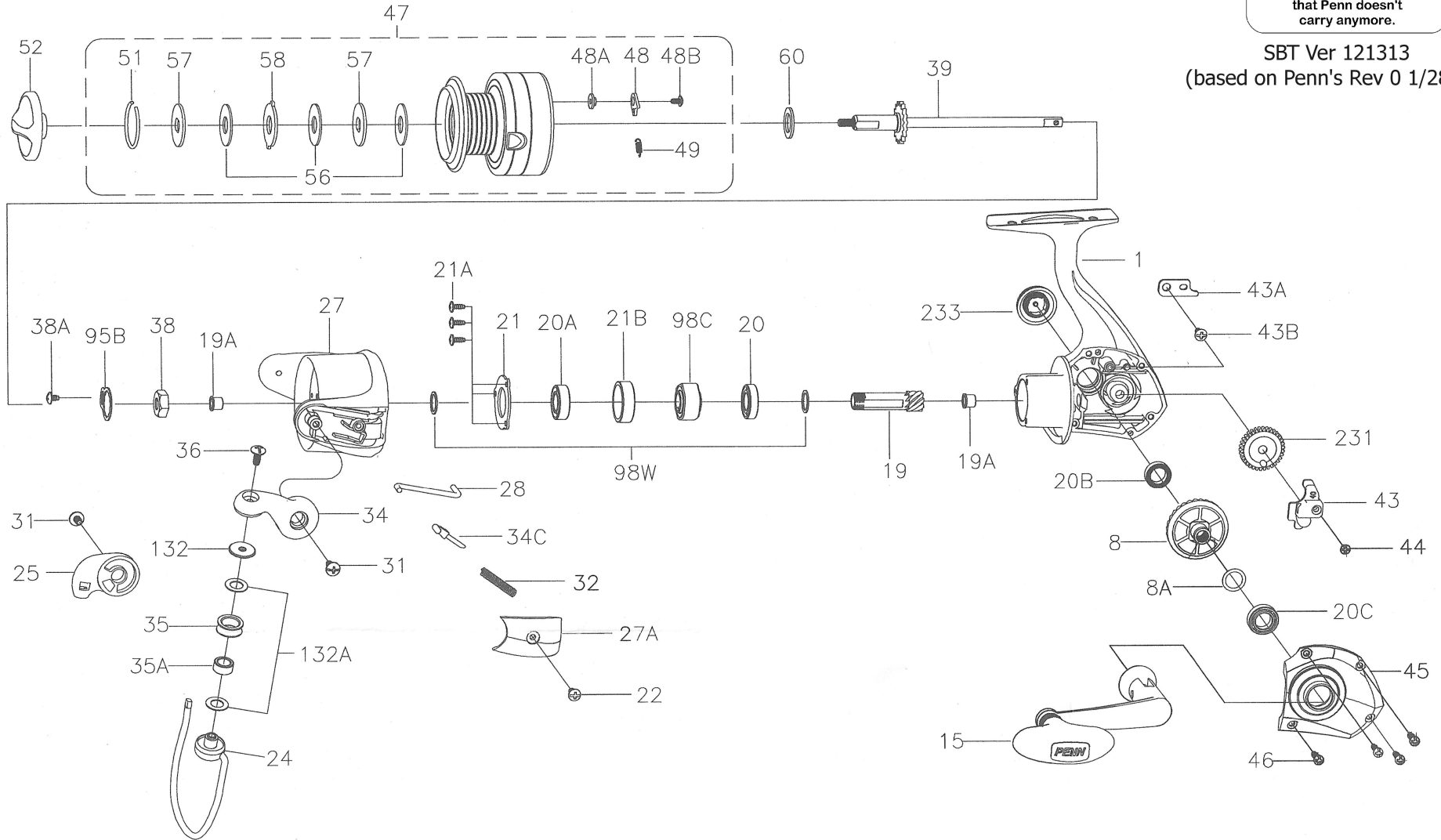




# Parts List for Model PURII3000

www.PENNparts.com  
**Scott's Bait & Tackle**  
Penn Parts Dept.  
945 Radio Road  
Tuckerton NJ 08087  
(609) 296-1300  
No Minimum Order!  
Plus, Parts in stock  
that Penn doesn't  
carry anymore.



SBT Ver 121313  
(based on Penn's Rev 0 1/28/13)

## Penn Reel Parts list for Model: PUII3000 Pursuit ii Spinning Series

PUREFISHING				PUREFISHING			
KEY NO	PART NO.	PART#	DESCRIPTION	KEY NO	PART NO.	PART#	DESCRIPTION
1	1-PUII3000	1308139	HOUSING	38	38-3000PUR	1203994	ROTOR NUT
8	8-3000PUR	1203969	MAIN GEAR ASSEMBLY	38A	38A-3000PUR	1203995	ROTOR LOCKING PLATE SCREW
8A	8A-3000SG	1191028	MAIN GEAR SHIM	39	39-3000PUR	1203996	SPOOL SHAFT
15	15-PUII3000	1308141	HANDLE ASSEMBLY	43	43-3000SG	1191800	CROSSWIND BLOCK
19	19-3000PUR	1203972	PINION GEAR	43A	43A-3000SG	1191818	CROSSWIND BLOCK PLATE
19A	19A-3000SG	1191252	PINION BUSHING (2 REQUIRED)	43B	43B-3000PUR	1203997	CROSSWIND BLOCK PLATE SCREW
20	20-3000SG	1192611	LOWER PINION BALL BEARING	44	44-3000SG	1191843	CROSSWIND BLOCK SCREW
20A	20A-3000PUR	1203973	UPPER PINION BALL BEARING	45	45-PUII3000	1308148	HOUSING COVER
20B	20B-3000PUR	1203974	HOUSING BALL BEARING	46	46-3000PUR	1203999	HOUSING COVER SCREW (4 REQUIRED)
20C	20C-3000PUR	1203975	HOUSING COVER BALL BEARING	47	47-PUII3000	1308149	SPOOL ASSEMBLY
21	21-3000PUR	1203976	BEARING RETAINER	48	48-3000SG	1214227	CLICK TONGUE
21A	21A-3000PUR	1203977	BEARING RETAINER SCREW (3 REQUIRED)	48A	48A-3000SG	1214226	CLICK TONGUE WASHER
21B	21B-3000SG	1192648	COLLAR	48B	48B-3000BTL	1211591	SPOOL CLICK SCREW
22	22-3000PUR	1203978	BAIL ARM COVER SCREW	49	49-3000SG	1211605	CLICK TONGUE SPRING
24	24-PUII3000	1308143	BAIL WIRE	51	51-4000PUR	1287229	DRAG RETAINING RING
25	25-PUII3000	1308145	BAIL HOLDER	52	52-PUII3000	1308151	DRAG KNOB
27	27-PUII3000	1308146	ROTOR CUP W/WEIGHT & SCREW	56	56-3000SG	1192035	DRAG WASHER HT100 (3 REQUIRED)
27A	27A-3000PUR	1203983	BAIL PIVOT COVER	57	57-3000SG	1192043	KEYED DRAG WASHER (2 REQUIRED)
28	28-3000PUR	1203985	TRIP LEVER	58	58-3000SG	1192052	EARRED DRAG WASHER
31	31-3000PUR	1203987	BAIL ARM SCREW (2 REQUIRED)	60	60-3000SG	1192060	THRUST WASHER
32	32-3000PUR	1203988	BAIL SPRING	95B	95B-3000SG	1192185	ROTOR LOCKING PLATE
34	34-3000FRC	1211513	BAIL ARM	98C	98C-3000SG	1192212	CLUTCH/SLEEVE ASSEMBLY
34C	34C-3000PUR	1203990	PIVOT ARM	98W	98W-3000PUR	1204004	CLUTCH WASHER (2 REQUIRED)
35	35-3000SG	1191674	LINE ROLLER	132	132-5000SG	1192297	ROLLER WASHER
35A	35A-3000PUR	1203992	LINE ROLLER BEARING	132A	132A-3000SG	1192302	LINE ROLLER WASHER
36	36-5000SG	1191703	BAIL STUD SCREW	231	231-3000SG	1192498	CROSSWIND GEAR
				233	233-PUII3000	1308152	BEARING COVER

NOTE: Many of [www.pennparts.com](http://www.pennparts.com) schematics include changes that were either made by Penn, or errors found and corrected by our parts dept.  
 SBT Ver. 121313 (based on Penn's 407-PUII3000 Rev. 0 01-28-13)

Error on original schematic: 36-3000SG bail stud screw not used on PURii3000/4000 reels. Uses 36-5000SG