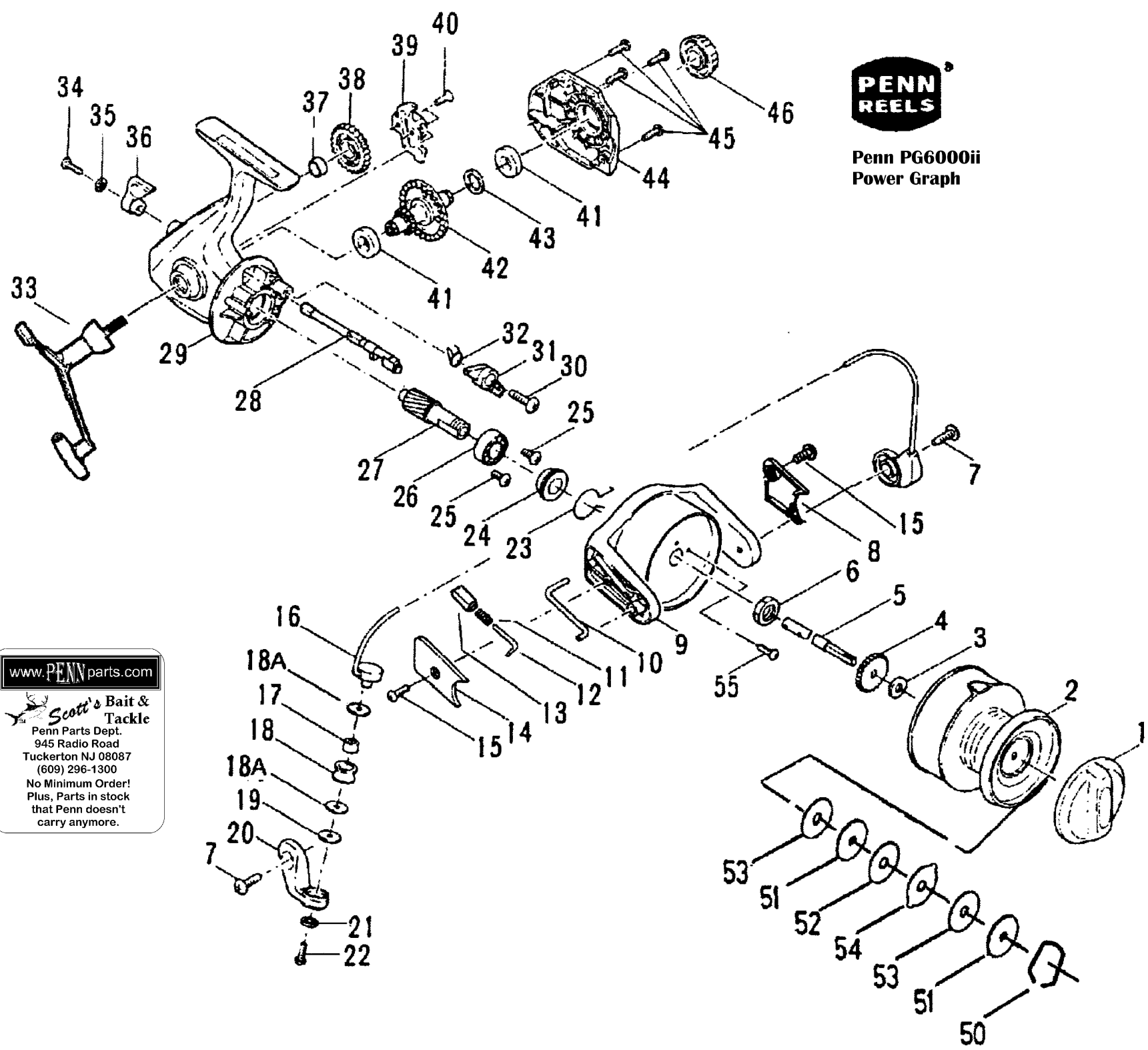




Penn PG6000ii
Power Graph



www.PENNparts.com
Scott's Bait & Tackle
Penn Parts Dept.
945 Radio Road
Tuckerton NJ 08087
(609) 296-1300
No Minimum Order!
Plus, Parts in stock
that Penn doesn't
carry anymore.

Penn Reel Parts list for:

Model: PG6000ii PowerGraph II

| KEY PART | | | KEY PART | | |
|----------|-----------|------------------------------------|----------|-----------|----------------------------------|
| NO | NO. | DESCRIPTION | NO | NO. | DESCRIPTION |
| 1 | 52-6000 | DRAG KNOB ASM. W/ SPRING | 29 | 1-6000P | HOUSING |
| 2 | 47-6000 | SPOOL ASSEMBLY | 30 | 3-6000 | DOG MOUNTING SCREW |
| 3 | 60-6000 | THRUST WASHER | 31 | 4-6000 | ANTI-REVERSE DOG |
| 4 | 40B-6000 | CLICK RATCHET | 32 | 4A-6000 | DOG SPRING |
| 5 | 39-6000 | SPOOL SHAFT | 33 | 15-6000P | HANDLE ASSEMBLY |
| 6 | 38-6000 | ROTOR NUT | 34 | 6F-3000 | ECC. LEVER MOUNTING SCREW |
| 7 | 31A-3000 | TRIP ARM SCREWS (2 REQ.) | 35 | 36A-103 | LOCK WASHER |
| 8 | 227-6000P | CAM LEVER COVER | 36 | 6E-3000 | ECCENTRIC LEVER |
| 9 | 27-6000P | ROTOR CUP | 37 | 231A-3000 | CROSSWIND GEAR BUSHING |
| 10 | 28A-6000P | TRIP CAM LEVER | 38 | 231-6000 | CROSSWIND GEAR |
| 11 | 34C-6000P | PIVOT SPRING | 39 | 43-6000 | CROSSWIND GEAR BLOCK |
| 12 | 34B-6000P | PIVOT SHAFT | 40 | 59-110 | CROSSWIND BLOCK SCREW (2 REQ.) |
| 13 | 34D-6000P | PIVOT GUIDE | 41 | 2A-6000 | COVER & HOUSING BUSHING (2 REQ.) |
| 14 | 27A-6000P | BAIL PIVOT COVER | 42 | 8-6000P | MAIN GEAR |
| 15 | 22-875 | COVER SCREW (2 REQ.) | 43 | 8A-6000 | MAIN GEAR SHIM |
| 16 | 24-6000P | BAIL WIRE ASSEMBLY | 44 | 45-6000P | HOUSING COVER |
| 17 | 35A-3000 | LINE ROLLER BUSHING | 45 | 46-6000 | COVER SCREWS (4 REQ.) |
| 18 | 35-6000 | LINE ROLLER | 46 | 233-3000 | BEARING COVER |
| 18A | 35B-1000P | LINE ROLLER TEFLON WASHER (2 REQ.) | **47 | 48-1000P | SPOOL CLICK TONGUE |
| 19 | 132-3000 | ROLLER WASHER | **48 | 49-103CS | CLICK TONGUE SPRING |
| 20 | 34-6000P | BAIL ARM | **48A | 22-103CS | CLICK TONGUE SCREW |
| 21 | 36A-103 | LOCK WASHER | 50 | 51-6000 | DRAG RETAINING RING |
| 22 | 36-1000 | BAIL STUD SCREW | 51 | 57-6000 | KEYED DRAG WASHER (2 REQ.) |
| 23 | 230-6000 | SILENT DOG SPRING | 52 | 6-6000 | TEFLON DRAG WASHER (3 REQ.) |
| 24 | 19A-6000 | PINION SPACER | 53 | 6-7000 | DRAG WASHER HT100 (2 REQ.) |
| 25 | 22-875 | BEARING MTG SCREW (2 REQ.) | 54 | 58-6000 | EAR DRAG WASHER (2 REQ.) |
| 26 | 20-6000 | BALL BEARING | 55 | 305-875 | ROTOR NUT LOCKING SCREW |
| 27 | 19-6000 | PINION GEAR | | | |
| 28 | 6A-6000 | ECCENTRIC SHAFT | | | |

** NOT SHOWN

NOTE: Many of www.pennparts.com schematics include changes that were either made by Penn, or errors found and corrected by our parts dept.

Last Updated: 2/18/05