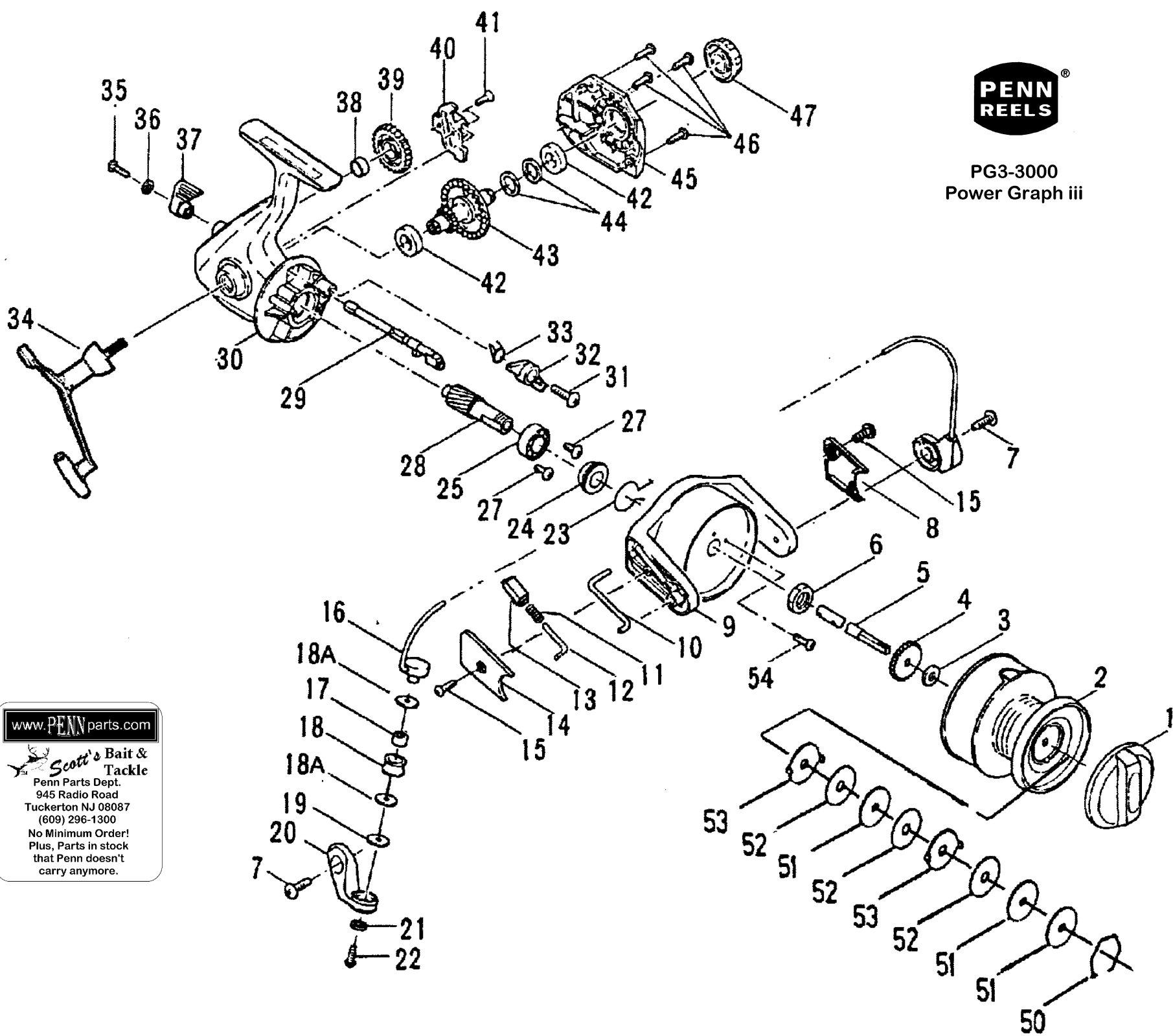




PG3-3000
Power Graph iii



www.PENNparts.com

Scott's Bait & Tackle

Penn Parts Dept.
945 Radio Road
Tuckerton NJ 08087
(609) 296-1300

No Minimum Order!
Plus, Parts in stock
that Penn doesn't
carry anymore.

Penn Reel Parts list for:

Model: PG3000iii PowerGraph 3

| KEY PART | | | KEY PART | | |
|----------|-----------|------------------------------------|----------|-----------|------------------------------|
| NO | NO. | DESCRIPTION | NO | NO. | DESCRIPTION |
| 1 | 52-3000 | DRAG KNOB ASM. W/ SPRING | 29 | 6A-3000 | ECCENTRIC SHAFT |
| 2 | 47-3000 | SPOOL ASSEMBLY | 30 | 1-3000P | HOUSING |
| 3 | 60-3000 | THRUST WASHER | 31 | 3-3000 | DOG MOUNTING SCREW |
| 4 | 40B-3000 | CLICK RATCHET | 32 | 4-3000 | ANTI-REVERSE DOG |
| 5 | 39-3000 | SPOOL SHAFT | 33 | 4A-3000 | DOG SPRING |
| 6 | 38-3000 | ROTOR NUT | 34 | 15-3000P | HANDLE ASSEMBLY |
| 7 | 31A-3000 | TRIP ARM SCREWS (2 REQ.) | 35 | 6F-3000 | ECC. LEVER MOUNTING SCREW |
| 8 | 227-3000P | CAM LEVER COVER | 36 | 36A-103 | LOCK WASHER |
| 9 | 27-3000P | ROTOR CUP | 37 | 6E-3000 | ECCENTRIC LEVER |
| 10 | 28A-3000P | TRIP CAM LEVER | 38 | 231A-3000 | CROSSWIND GEAR BUSHING |
| 11 | 34C-3000P | PIVOT SPRING | 39 | 231-3000 | CROSSWIND GEAR |
| 12 | 34B-3000P | PIVOT SHAFT | 40 | 43-3000 | CROSSWIND GEAR BLOCK |
| 13 | 34D-1500P | PIVOT GUIDE | 41 | 44-1500 | CROSSWIND BLOCK SCREW |
| 14 | 27A-3000P | BAIL PIVOT COVER | 42 | 2B-3000 | HOUSING BUSHING |
| 15 | 22-875 | COVER SCREW (2 REQ.) | 43 | 8-3000P | MAIN GEAR |
| 16 | 24-3000P | BAIL WIRE ASSEMBLY | 44 | 8A-3000 | MAIN GEAR SHIM |
| 17 | 35A-3000 | LINE ROLLER BUSHING | 45 | 45-3000P | HOUSING COVER |
| 18 | 35-3000 | LINE ROLLER | 46 | 46-1000 | COVER SCREWS (4 REQ.) |
| 18A | 35B-1000P | LINE ROLLER TEFLON WASHER (2 REQ.) | 47 | 233-3000 | BEARING COVER |
| 19 | 132-3000 | ROLLER WASHER | **48 | 48-1000P | SPOOL CLICK TONGUE |
| 20 | 34-3000P | BAIL ARM | **48A | 49-103CS | CLICK TONGUE SPRING |
| 21 | 36A-103 | LOCK WASHER | 49 | 22-103CS | CLICK TONGUE SCREW |
| 22 | 36-1000 | BAIL STUD SCREW | 50 | 51-3000 | DRAG RETAINING RING |
| 23 | 230-3000 | SILENT DOG SPRING | 51 | 57-3000 | KEYED DRAG WASHER (2 REQ.) |
| 24 | 19A-3000 | PINION SPACER | 52 | 6-3000 | TEFLONG DRAG WASHER (3 REQ.) |
| 25 | 20-3000 | BALL BEARING | 53 | 58-3000 | EAR DRAG WASHER (2 REQ.) |
| 27 | 22-875 | BEARING MTG SCREW (2 REQ.) | 54 | 305A-875 | ROTOR NUT LOCKING SCREW |
| 28 | 19-3000 | PINION GEAR | | | |

**** NOT SHOWN**

NOTE: Many of www.pennparts.com schematics include changes that were either made by Penn, or errors found and corrected by our parts dept.