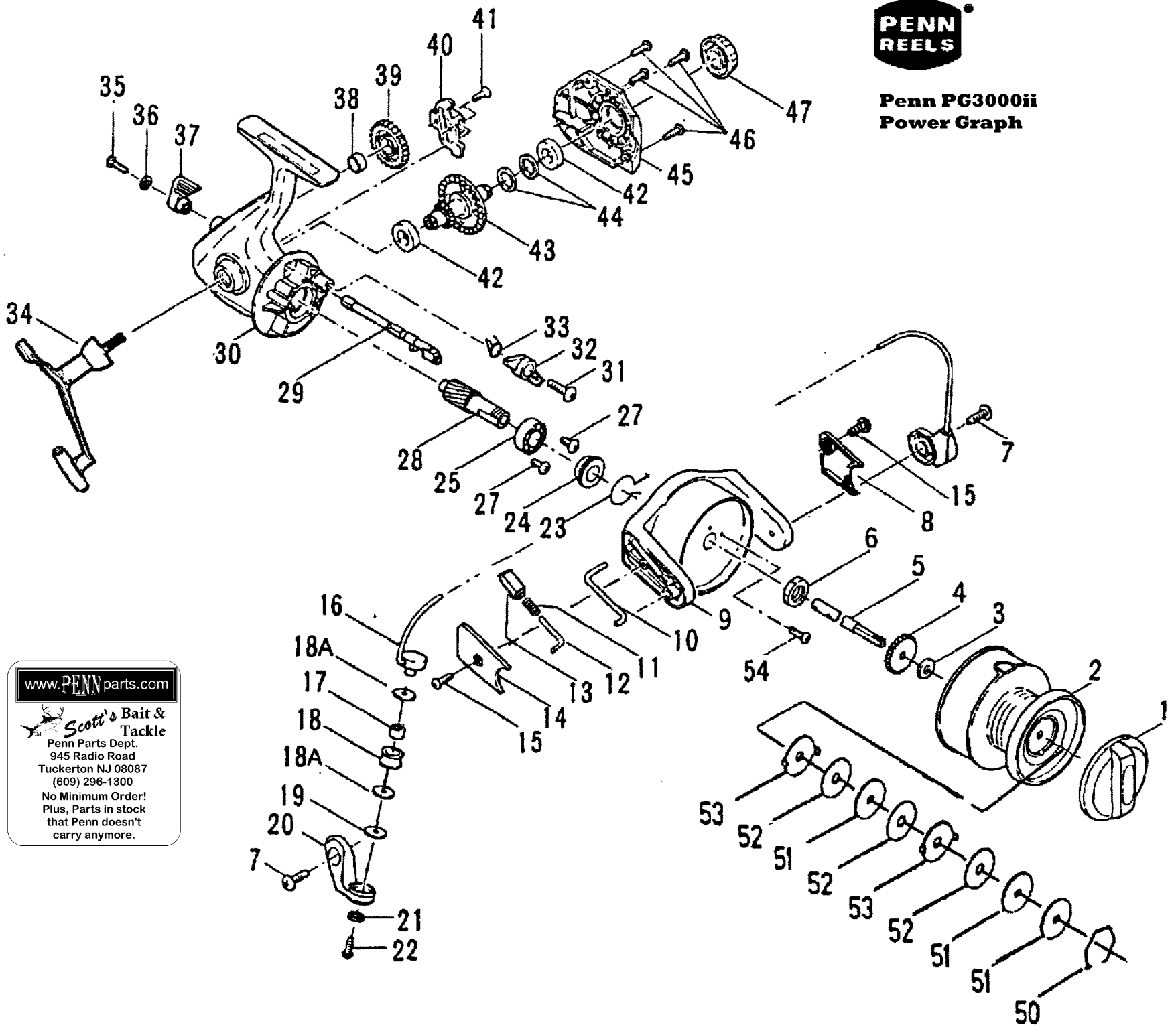




**Penn PG3000ii
Power Graph**



www.PENNparts.com
Scott's Bait & Tackle
Penn Parts Dept.
945 Radio Road
Tuckerton NJ 08087
(609) 296-1300
No Minimum Order!
Plus, Parts in stock
that Penn doesn't
carry anymore.

Penn Reel Parts list for:

Model: PG3000ii PowerGraph II

KEY PART			KEY PART		
NO	NO.	DESCRIPTION	NO	NO.	DESCRIPTION
1	52-3000	DRAG KNOB ASM. W/ SPRING	29	6A-3000	ECCENTRIC SHAFT
2	47-3000	SPOOL ASSEMBLY	30	1-3000P	HOUSING
3	60-3000	THRUST WASHER	31	3-3000	DOG MOUNTING SCREW
4	40B-3000	CLICK RATCHET	32	4-3000	ANTI-REVERSE DOG
5	39-3000	SPOOL SHAFT	33	4A-3000	DOG SPRING
6	38-3000	ROTOR NUT	34	15-3000P	HANDLE ASSEMBLY
7	31A-3000	TRIP ARM SCREWS (2 REQ.)	35	6F-3000	ECC. LEVER MOUNTING SCREW
8	227-1000P	CAM LEVER COVER	36	36A-103	LOCK WASHER
9	27-3000P	ROTOR CUP	37	6E-3000	ECCENTRIC LEVER
10	28A-3000P	TRIP CAM LEVER	38	231A-3000	CROSSWIND GEAR BUSHING
11	34C-3000P	PIVOT SPRING	39	231-3000	CROSSWIND GEAR
12	34B-3000P	PIVOT SHAFT	40	43-3000	CROSSWIND GEAR BLOCK
13	34D-1500P	PIVOT GUIDE	41	44-1500	CROSSWIND BLOCK SCREW
14	27A-3000P	BAIL PIVOT COVER	42	2A-3000	HOUSING BUSHING
15	22-875	COVER SCREW (2 REQ.)	43	8-3000P	MAIN GEAR
16	24-3000P	BAIL WIRE ASSEMBLY	44	8A-3000	MAIN GEAR SHIM
17	35A-3000	LINE ROLLER BUSHING	45	45-3000P	HOUSING COVER
18	35-3000	LINE ROLLER	46	46-1000	COVER SCREWS (4 REQ.)
18A	35B-1000P	LINE ROLLER TEFLON WASHER (2 REQ.)	47	233-3000	BEARING COVER
19	132-3000	ROLLER WASHER	**48	48-1000P	SPOOL CLICK TONGUE
20	34-3000P	BAIL ARM	**48A	49-103CS	CLICK TONGUE SPRING
21	36A-103	LOCK WASHER	49	22-103CS	CLICK TONGUE SCREW
22	36-1000	BAIL STUD SCREW	50	51-3000	DRAG RETAINING RING
23	230-3000	SILENT DOG SPRING	51	57-3000	KEYED DRAG WASHER (2 REQ.)
24	19A-3000	PINION SPACER	52	6-3000	TEFLONG DRAG WASHER (3 REQ.)
25	20-3000	BALL BEARING	53	58-3000	EAR DRAG WASHER (2 REQ.)
27	22-875	BEARING MTG SCREW (2 REQ.)	54	305-875	ROTOR NUT LOCKING SCREW
28	19-3000	PINION GEAR			

**** NOT SHOWN**

NOTE: Many of www.pennparts.com schematics include changes that were either made by Penn, or errors found and corrected by our parts dept.