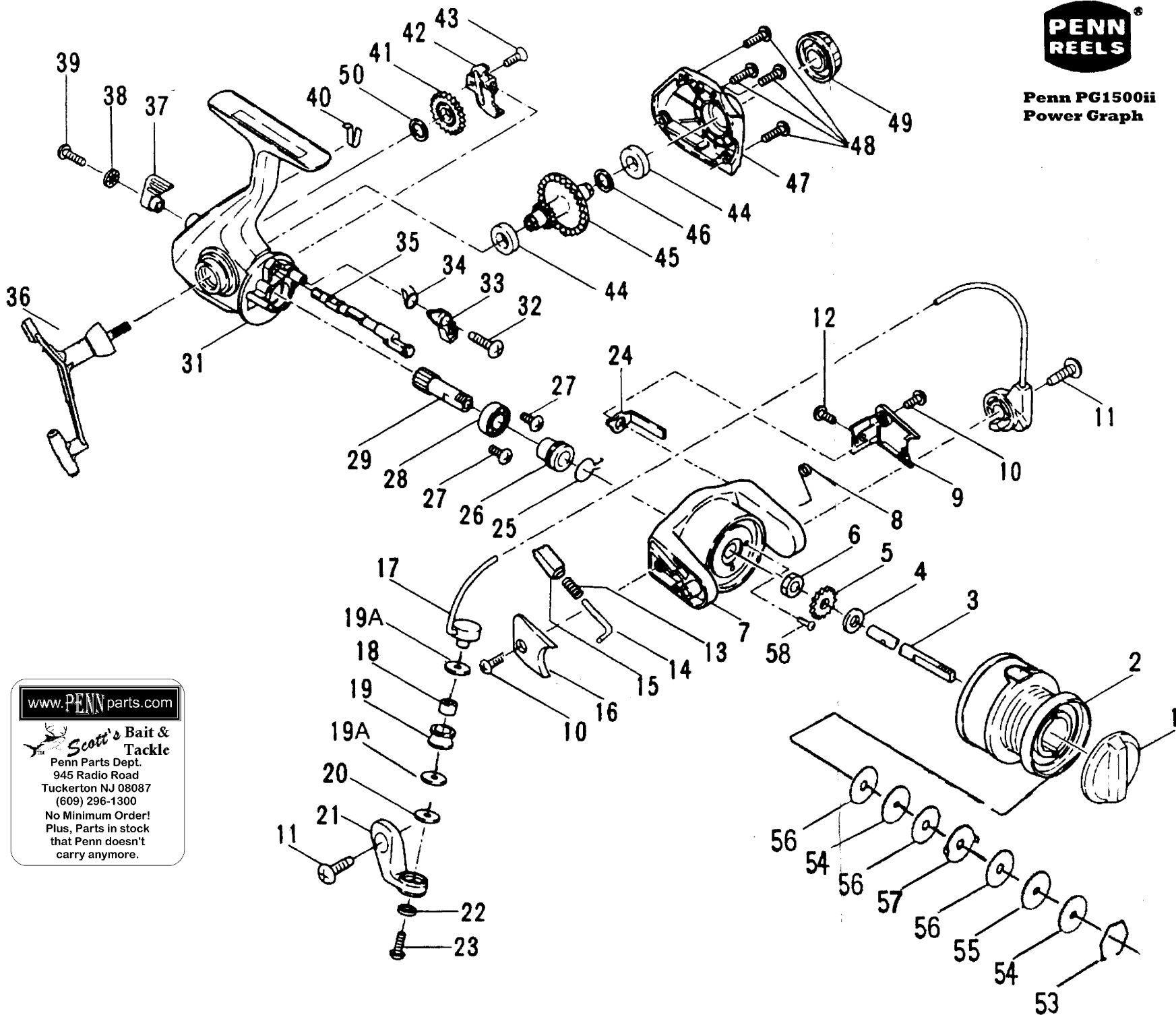




**Penn PG1500ii
Power Graph**



www.PENNparts.com

Scott's Bait & Tackle

Penn Parts Dept.
945 Radio Road
Tuckerton NJ 08087
(609) 296-1300

No Minimum Order!
Plus, Parts in stock
that Penn doesn't
carry anymore.

Penn Reel Parts list for:

Model: PG1500ii PowerGraph II

| KEY PART | | | KEY PART | | |
|----------|-----------|------------------------------------|----------|-----------|------------------------------|
| NO | NO. | DESCRIPTION | NO | NO. | DESCRIPTION |
| 1 | 52-1500 | DRAG KNOB ASM. W/ SPRING | 33 | 4-1500 | ANTI-REVERSE DOG |
| 2 | 47-1500P | SPOOL ASSEMBLY | 34 | 4A-1500 | DOG SPRING |
| 3 | 39-1500 | SPOOL SHAFT | 35 | 6A-1500 | ECCENTRIC SHAFT |
| 4 | 60-1500 | THRUST WASHER | 36 | 15-1500P | HANDLE ASSEMBLY |
| 5 | 40B-1500 | CLICK RATCHET | 37 | 6E-1000 | ECCENTRIC LEVER |
| 6 | 38-1000 | ROTOR NUT | 38 | 6G-1000 | THRUST WASHER |
| 7 | 27-1500P | ROTOR CUP | 39 | 6F-1000 | ECC. LEVER MOUNTING SCREW |
| 8 | 106-1000P | CAM LEVER SPRING | 40 | 6D-1000 | ECC. SHAFT SPRING |
| 9 | 227-1500P | CAM LEVER COVER | 41 | 231-1500 | CROSSWIND GEAR |
| 10 | 50-1000 | COVER SCREW | 42 | 43-1500 | CROSSWIND GEAR BLOCK |
| 11 | 31A-1000 | TRIP ARM SCREWS (2 REQ.) | 43 | 44-1500 | CROSSWIND BLOCK SCREW |
| 12 | 28B-1500 | CAM LEVER MTG. SCREWS (2 REQ.) | 44 | 2A-1000 | HOUSING BUSHING |
| 13 | 34C-1500P | PIVOT | 45 | 8-1500P | MAIN GEAR |
| 14 | 34B-1500P | PIVOT SHAFT | 46 | 8A-3000 | MAIN GEAR SHIM |
| 15 | 34D-1500P | PIVOT GUIDE | 47 | 45-1500P | HOUSING COVER |
| 16 | 27A-1500P | BAIL PIVOT COVER | 48 | 46-1000 | COVER SCREWS (3 REQ.) |
| 17 | 24-1500P | BAIL WIRE ASSEMBLY | 49 | 233-1000 | BEARING COVER |
| 18 | 35A-1000 | LINE ROLLER BUSHING | 50 | 231A-1500 | CROSSWIND GEAR SHIM |
| 19 | 35-1000 | LINE ROLLER | **51 | 48-1000P | SPOOL CLICK TONGUE |
| 19A | 35B-1000P | LINE ROLLER TEFLON WASHER (2 REQ.) | **51A | 49-103CS | CLICK TONGUE SPRING |
| 20 | 132-1000 | ROLLER WASHER | **52 | 22-103CS | CLICK TONGUE SCREW |
| 21 | 34-1500P | BAIL ARM | 53 | 51-1000 | DRAG RETAINING RING |
| 22 | 36A-103 | LOCK WASHER | 54 | 57-1000 | KEYED DRAG WASHER (2 REQ.) |
| 23 | 36-1000 | BAIL STUD SCREW | 55 | 52A-1000 | DRAG WASHER (THICK) |
| 24 | 28A-1500P | TRIP CAM LEVER | 56 | 6-1000 | TEFLONG DRAG WASHER (3 REQ.) |
| 25 | 230-1500 | SILENT DOG SPRING | 57 | 58-1000 | EAR DRAG WASHER |
| 26 | 19A-1500 | PINION SPACER | 58 | 305-875 | ROTOR NUT LOCKING SCREW |
| 27 | 23-1000 | BEARING MTG. SCREWS (2 REQ.) | | | |
| 28 | 20-1000 | BALL BEARING | | | |
| 29 | 19-1500 | PINION GEAR | | | |
| 31 | 1-1500P | HOUSING | | | |
| 32 | 3-1500 | DOG MOUNTING SCREW | | | |

** NOT SHOWN

NOTE: Many of www.pennparts.com schematics include changes that were either made by Penn, or errors found and corrected by our parts dept.