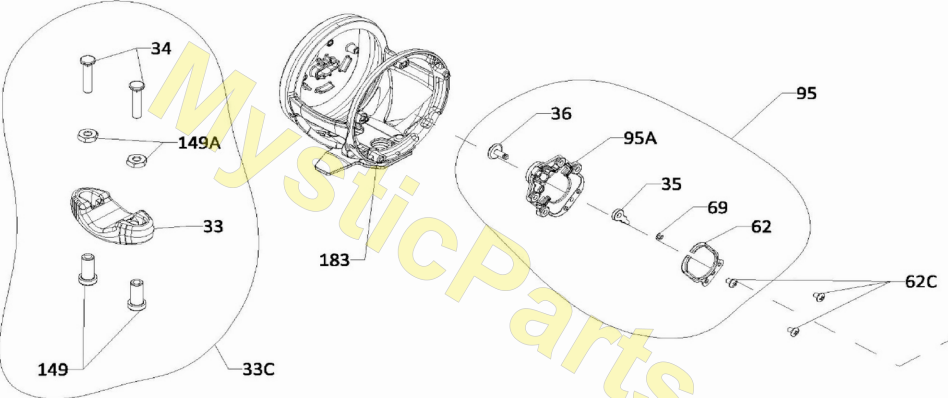


18 WASHER ASSEMBLY
 COUNTER BORE TOWARDS SPOOL
 008 030SLD CRESNET ORIENT
 55T BEARING ASSEMBLY
 154B BELLEVILLE DISTANCE WASHER
 DETAILED VIEW OF BELLEVILLE AND THRUST BEARING ASSEMBLY

SEE DETAILED VIEW

COUNTERBORE THIS SIDE



mysticparts.com
MYSTIC REEL PARTS
 965 Radio Road
 Little Egg Harbor, NJ 08087
 +1 (609) 296-1300
 www.mysticparts.com
 customerservice@mysticparts.com



PARTS LIST FOR MODEL
 FATHOM II 25NLD2
 REEL PART NO. 1563178
FTHii25NLD2
2 SPEED

MRP Ver 070123
 (based on Penn's Rev 01 6-14-22)

Penn Reel Parts list for Model: Fathom Leverdrag FTHii25NLD2 (BLACK/SILVER) 1563178

KEY NO	PUREFISHING PART #	PENN PART #	DESCRIPTION	KEY NO	PUREFISHING PART #	PENN PART #	DESCRIPTION
1	1580138	1-FTHii25NLD2	HANDLE SIDE PLATE	62C	1188654	62C-FTH20LW	SCREW (7 REQUIRED) Count matched to drawing
1D	1580170	1D-FTHii25NLD2	GEARBOX COVER	66A	1265059	66A-FTHLD	CLICK RATCHET
2	1508174	2-FTHii25NLD2	QUADRANT RING (BLACK)	69	1188657	69-FTH20LW	RETAINING RING (2 REQUIRED)
4	1264978	4-TRQ15LD2	LEVER WASHER	69B	1265060	69D-FTH15LD	RETAINING RING, DRAG
5H	1264981	5-FTH25NLD2HS	MAIN GEAR HIGH SPEED	71	1580232	71-FTHii25NLD2	SPOOL SPINDLE
5L	1264982	5-FTH25NLD2LS	MAIN GEAR LOW SPEED	82	1265070	82-TRQ40NLD2	WASHER, TEFLON (2 REQUIRED)
8	1257843	8-30SLD	SPRING WASHER	82A	1265071	82A-30SLD2	WASHER, TEFLON
13B	1309867	13B-FTH25NLD2	SPOOL SLEEVE AKA SPACER TUBE	91A	1277514	91A-TRQ40NLD2	HANDLE KNOB WASHER
13H	1264993	13-FTH25NLD2HS	HIGH SPEED PINION	95	1580237	95-FTHiiLD2	CLICK MODULE ASSEMBLY
13L	1264994	13-FTH25NLD2LS	LOW SPEED PINION	95A	1580238	95A-FTHiiLD2	CLICK MODULE HOUSING
14	1181406	14-535	SPRING, DRAG LEVER PIN	98	1265073	98-FTH40NLD2	DOG RATCHET
15	1229374	15-TRQ40	DOG ASSEMBLY (2 REQUIRED)	110A	1580239	110A-FTHiiLD2	RING, HANDLE SCREW LOCKING
15A	1580194	15A-FTHiILD	RETAINER FOR ANTI-REVERSE DOG	110B	1580240	110B-FTHiILD2	BASE ASSEMBLY (BLACK)
18	1265001	18-TRQ40NLD2	WASHER, SPRING (2 REQUIRED)	110C	1580241	110C-FTHiILD2	RETAINER, SHIFT BUTTON (BLACK)
18C	1181632	18C-15KG	SPRING FOR SHIFT BUTTON	110D	1309895	110D-FTH15LD2	RETAINING RING
18H	1265002	18H-30SLD2	SPRING	110E	1580242	110E-FTHiILD2	SCREW FOR SHIFT BUTTON (2 REQUIRED)
18L	1265003	18L-30SLD2	SPRING	117	1309896	117-FTH15LD2	DRIVE PLATE
21	1580196	21-FTHii30LD2	LEVER DRAG (BLACK)	117A	1309898	117A-FTH25NLD2	DRAG WASHER (ASSEMBLY)
23	1580203	23-FTHiILD2	HANDLE SCREW	117W	1309901	117W-FTH25NLD2	DRAG WASHER, METAL
23W	1286986	23W-TRQ40NLD2	WASHER FOR HANDLE NUT	128	1265084	128-30SLD2	SHIFT KEY
26	1265023	26-TRQ40NLD2	BALL BEARING	134	1265085	134-30SLD2	GEAR STUD
26N	1182145	26N-25	BALL BEARING	134A	1265086	134A-30SLD2	GEAR STUD NUT
29	1580212	29-FTHii25NLD2	SPOOL (BLACK/SILVER)	134B	1265087	134B-30SLD2	WASHER, SUPPORT GEAR STUD
33, 33c, 34, 149, 149A CLAMP PARTS SEE PG 3							
35	1188656	35-FTH20LW	CLICK TONGUE	141	1580246	141-FTHiILD	CAM FOLLOWER
36	1516151	36-FTHii15SD	CLICK BUTTON	144	1580247	144-FTHiILD	PRESET KNOB (BLACK)
38	1309885	38-FTH15LD2	SCREW (6 REQUIRED) (aka 38-FTH15LD)	154	1265092	154-TRQ40NLD2	GEAR STUD SHIM (AS REQUIRED)
38A	1188649	38A-FTH20LW	FLAT WASHER (6 REQUIRED)	154A	1306668	154A-TRQ40NLD2	GEAR STUD SHIM .004 (AS REQUIRED)
41	1265056	41-FTH40NLD2	SPRING, DRAG DISENGAGING	154B	1309904	154B-FTH40NLD2	WASHER, BELLEVILLE DISTANCE WASHER
46A	1488755	46A-FTHii30LW	SCREW, COVER (2 REQUIRED)	154B	1309903	154B-FTH25NLD2	WASHER, BELLEVILLE DISTANCE WASHER
50	1309888	50-FTH30LD2	GEAR SHIELD	161A	1265098	161A-TRQ15LD2	PIN, LEVER CLICK
55A	1238912	55A-50SLD	BALL BEARING (NON-HANDLE SIDE PLATE)	161B	1265099	161B-TRQ40NLD2	STRIKE BUTTON
55L	1286985	55L-FTH20LD2	BALL BEARING (SPOOL) (2 REQUIRED)	171	1265101	171-30SLD2	PLUNGER GEAR SHIFT
55T	1238913	55T-30SLD	BEARING ASSEMBLY	172	1580248	172-FTHiILD2	SHIFT BUTTON ASSEMBLY (BLACK)
62	1188664	62-FTH20LW	CLICK SPRING	172B	1580249	172B-FTHiILD2	SHIFT LATCH
62A	1236596	62-TRQ40	SPRING, STRIKE CLICK LOCATOR BUTTON	172C	1184831	172B-30VS	SPACER
				183	1580255	183-FTHii25NLD2	FRAME ASSEMBLY
				195	1184955	195-40	GEAR STUD RET. E-RING (2 REQUIRED)

HANDLE COMPONENTS			
24	1580206	24-FTHii80LD2	HANDLE ASSEMBLY (BLACK/SILVER)
23L	1191283	23L-750	HANDLE KNOB SCREW
24C	1361267	24C-16VIS	HANDLE KNOB CAP
24S	1580207	24S-FTHii80LD2	SCREW FOR KNOB CAP (2 REQUIRED)
25	1580208	25-FTHii80LD2	HANDLE KNOB

NOTE: Parts 24C, 24S x 2 and 25 (Or completed handle 24-FTHii80LD2 - TYPE AA in our store)
Can be ordered to convert the older FTHLD2 2 speed reels to use this LONGER knob setup

CLAMP COMPONENTS			
33C	1580218	33C-FTHiILD2	ROD CLAMP KIT
33	1290729	33-TRQ	ROD CLAMP ALUMINUM
34	1580220	34-FTHiILD2	ROD CLAMP SCREW (2 REQUIRED)
149	1184702	149-45	ROD CLAMP LONG NUT (2 REQUIRED)
149A	1184706	149-200	HEX NUT

Changes / Corrections

NONE AT THIS TIME

MYSTIC REEL PARTS REVISION!

NOTE: Many of www.mysticparts.com schematics include changes that were either made by Penn, or errors found and corrected by our parts dept.
MRP Ver 070123 (based on Penn's Rev 01 6-14-22)