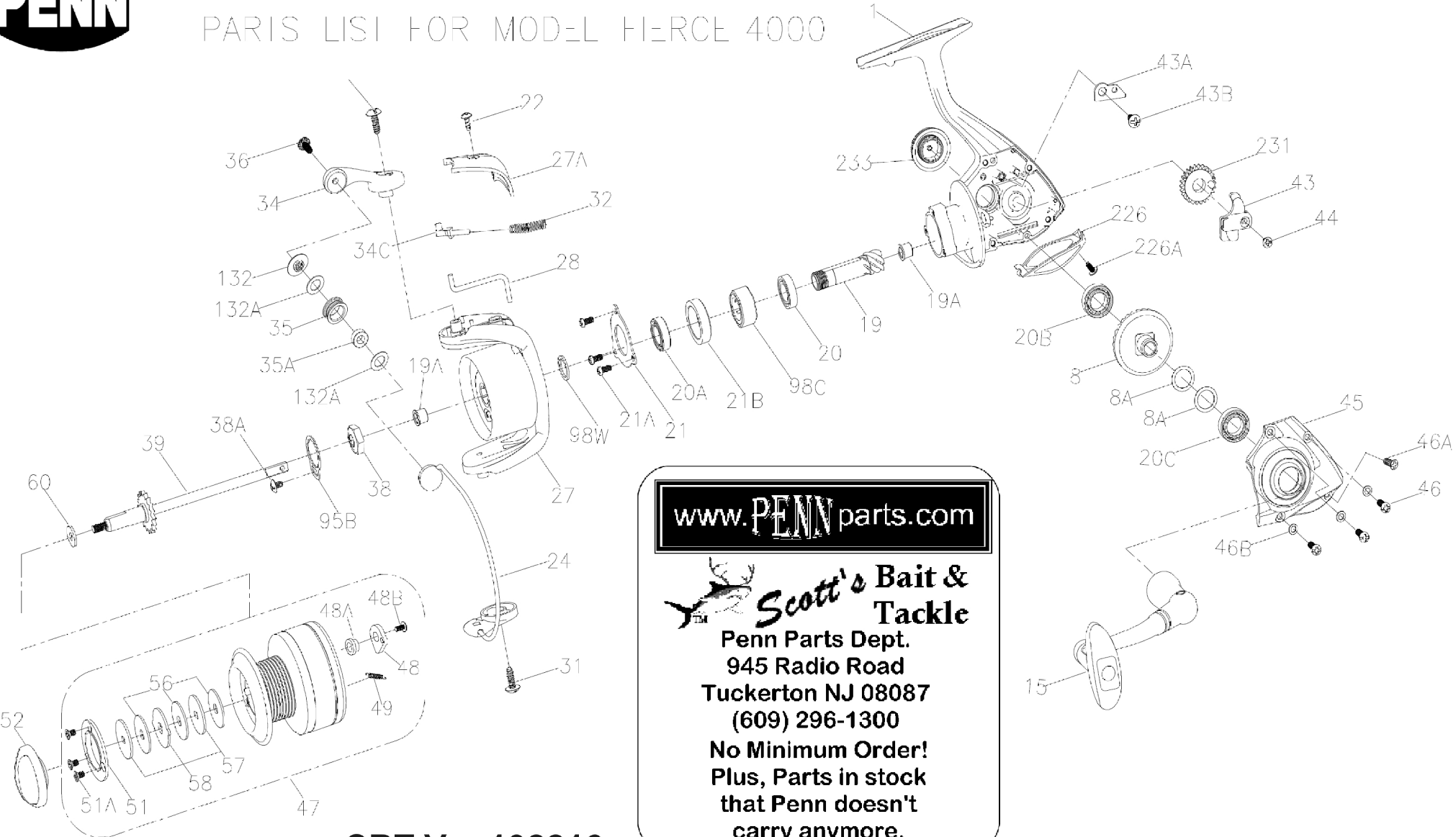




PARTS LIST FOR MODEL FERCE 4000



www.PENNparts.com



Penn Parts Dept.
945 Radio Road
Tuckerton NJ 08087
(609) 296-1300

No Minimum Order!
Plus, Parts in stock
that Penn doesn't
carry anymore.

SBT Ver 102216

(based on Penn's Rev. 2 - 5/31/10)

Penn Reel Parts list for:

Model: FRC4000 Fierce Spinning Series

KEY NO	PUREFISHING NO.	PART NO.	DESCRIPTION
1	1211669	1-4000FRC	HOUSING
8	1191017	8-3000SG	MAIN GEAR ASSEMBLY
8A	1191028	8A-3000SG	MAIN GEAR SHIM
15	1211587	15-3000BTL	HANDLE ASSEMBLY
19	1191231	19-3000SG	PINION GEAR
19A	1191252	19A-3000SG	PINION BUSHING (2 REQUIRED)
20	1192611	20-3000SG	LOWER PINION BALL BEARING
20A	1203973	20A-3000PUR	UPPER PINION BALL BEARING
20B	1203974	20B-3000PUR	HOUSING BALL BEARING
20C	1203975	20C-3000PUR	HOUSING COVER BALL BEARING
21	1192631	21-3000SG	BEARING RETAINER
21A	1192644	21A-3000SG	BEARING RETAINER SCREW (3 REQUIRED)
21B	1192648	21B-3000SG	COLLAR
22	1203978	22-3000PUR	BAIL ARM COVER SCREW
24	1211672	24-4000FRC	BAIL WIRE
27	1211510	27-4000FRC	ROTOR CUP
27A	1211512	27A-4000FRC	BAIL PIVOT COVER
28	1203986	28-4000PUR	TRIP LEVER
31	1203987	31-3000PUR	BAIL ARM SCREW
32	1203988	32-3000PUR	BAIL SPRING
34	1211513	34-3000FRC	BAIL ARM
34C	1203990	34C-3000PUR	PIVOT ARM
35	1191674	35-3000SG	LINE ROLLER
35A	1203992	35A-3000PUR	LINE ROLLER BEARING
36	1203993	36-3000PUR	BAIL STUD SCREW
38	1191728	38-3000SG	ROTOR NUT
38A	1203995	38A-3000PUR	ROTOR LOCKING PLATE SCREW
39	1211515	39-4000FRC	SPOOL SHAFT

KEY NO	PUREFISHING NO.	PART NO.	DESCRIPTION
43	1200531	43-4000SG	CROSSWIND BLOCK
43A	1191818	43A-3000SG	CROSSWIND BLOCK PLATE
43B	1191826	43B-3000SG	CROSSWIND BLOCK PLATE SCREW
44	1191843	44-3000SG	CROSSWIND BLOCK SCREW
45	1211516	45-3000FRC	HOUSING COVER
46	1191901	46-3000SG	HOUSING COVER SCREW (3 REQUIRED)
46A	1191906	46A-3000SG	HOUSING COVER SCREW A
46B	1191907	46B-3000SG	HOUSING COVER WASHER (3 REQUIRED)
47	1211518	47-4000FRC	SPOOL ASSEMBLY
48	1211604	48-3000SG	CLICK TONGUE
48A	1214226	48A-3000SG	CLICK TONGUE WASHER
48B	1214189	48B-3000SG	SPOOL CLICK SCREW
49	1211605	49-3000SG	CLICK TONGUE SPRING
51	1191976	51-3000SG	RETAINING SPACER
51A	1191986	51A-3000SG	RETAINING SCREW (3 REQUIRED)
52	1214190	52-3000FRC	DRAG KNOB
56	1192035	56-3000SG	DRAG WASHER FELT (3 REQUIRED)
57	1192043	57-3000SG	KEYED DRAG WASHER (2 REQUIRED)
58	1192052	58-3000SG	EARRED DRAG WASHER
60	1192060	60-3000SG	THRUST WASHER
95B	1192185	95B-3000SG	ROTOR LOCKING PLATE
98C	1192212	98C-3000SG	CLUTCH/SLEEVE ASSEMBLY
98W	1192228	98W-2000SG	CLUTCH WASHER
132	1192298	132-7000SG	ROLLER WASHER
132A	1192302	132A-3000SG	LINE ROLLER WASHER
226	1214191	226-3000FRC	REAR COVER
226A	1192473	226A-3000SG	REAR COVER SCREW
231	1200522	231-4000SG	CROSSWIND GEAR
233	1211667	233-3000FRC	BEARING COVER

NOTE: Many of www.pennparts.com schematics include changes that were either made by Penn, or errors found and corrected by our parts dept.
 SBT Ver. 102216 (based on Penn's Rev. 2 - 5/31/10)

56* OPTION: The 56-3000BTL HT100 washers can be used in place of the Felt Washers 56-3000SG.