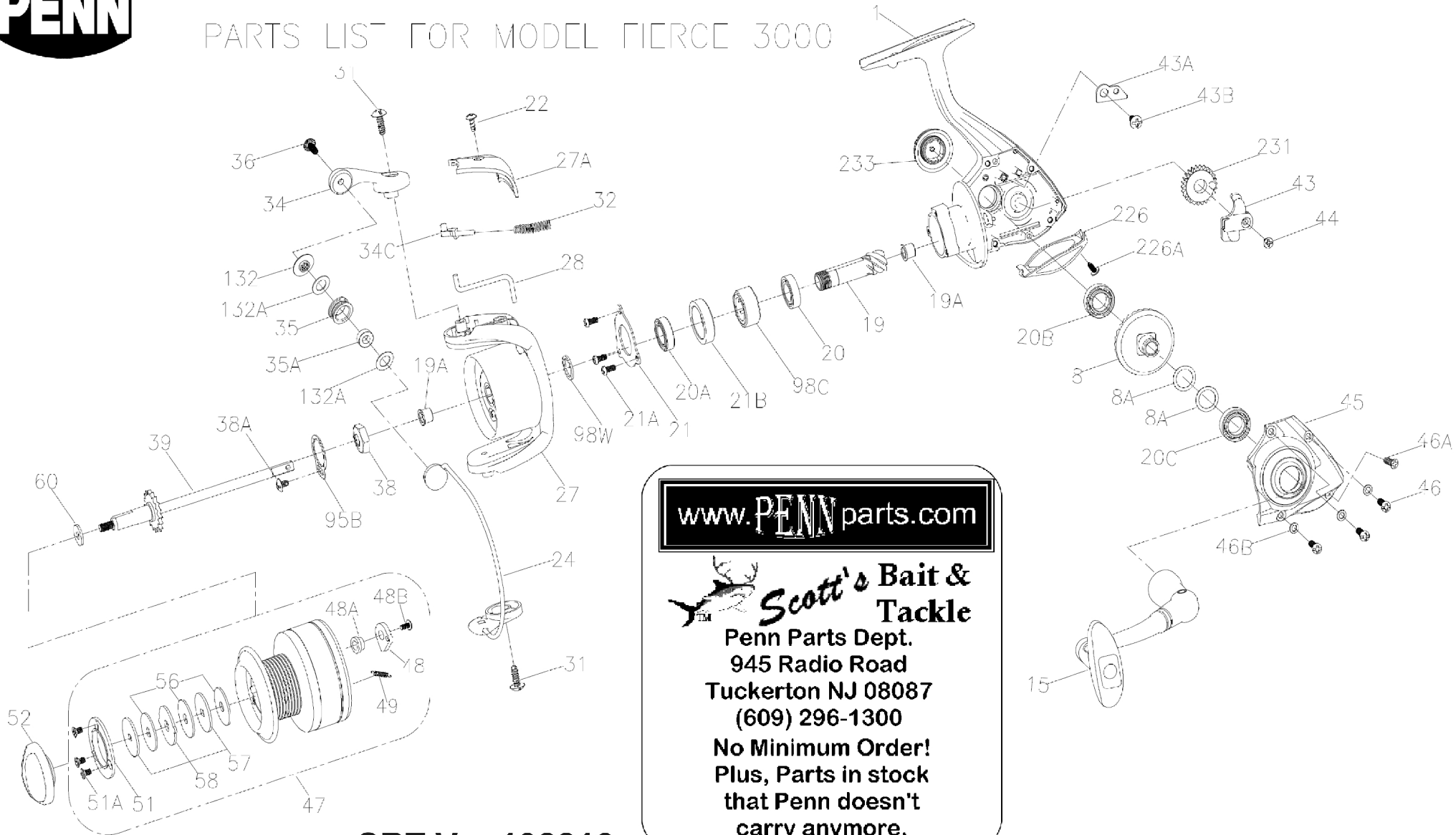




PARTS LIST FOR MODEL PIERCE 3000



www.PENNparts.com

 **Scott's Bait & Tackle**

Penn Parts Dept.
945 Radio Road
Tuckerton NJ 08087
(609) 296-1300

No Minimum Order!
Plus, Parts in stock
that Penn doesn't
carry anymore.

SBT Ver 102216
(based on Penn's Rev. 2 - 5/31/10)

Penn Reel Parts list for Model: FRC3000 Fierce Spinning Series

KEY	PUREFISHING	PART		KEY	PUREFISHING	PART	
NO	NO.	NO.	DESCRIPTION	NO	NO.	NO.	DESCRIPTION
1	1211668	1-3000FRC	HOUSING	43	1191800	43-3000SG	CROSSWIND BLOCK
8	1191017	8-3000SG	MAIN GEAR ASSEMBLY	43A	1191818	43A-3000SG	CROSSWIND BLOCK PLATE
8A	1191028	8A-3000SG	MAIN GEAR SHIM	43B	1191826	43B-3000SG	CROSSWIND BLOCK PLATE SCREW
15	1211587	15-3000BTL	HANDLE ASSEMBLY	44	1191843	44-3000SG	CROSSWIND BLOCK SCREW
19	1191231	19-3000SG	PINION GEAR	45	1211516	45-3000FRC	HOUSING COVER
19A	1191252	19A-3000SG	PINION BUSHING (2 REQUIRED)	46	1191901	46-3000SG	HOUSING COVER SCREW (3 REQUIRED)
20	1192611	20-3000SG	LOWER PINION BALL BEARING	46A	1191906	46A-3000SG	HOUSING COVER SCREW A
20A	1203973	20A-3000PUR	UPPER PINION BALL BEARING	46B	1191907	46B-3000SG	HOUSING COVER WASHER (3 REQUIRED)
20B	1203974	20B-3000PUR	HOUSING BALL BEARING	47	1211517	47-3000FRC	SPOOL ASSEMBLY
20C	1203975	20C-3000PUR	HOUSING COVER BALL BEARING	48	1211604	48-3000SG	CLICK TONGUE
21	1192631	21-3000SG	BEARING RETAINER	48A	1214226	48A-3000SG	CLICK TONGUE WASHER
21A	1192644	21A-3000SG	BEARING RETAINER SCREW (3 REQUIRED)	48B	1214189	48B-3000SG	SPOOL CLICK SCREW
21B	1192648	21B-3000SG	COLLAR	49	1211605	49-3000SG	CLICK TONGUE SPRING
22	1203978	22-3000PUR	BAIL ARM COVER SCREW	51	1191976	51-3000SG	RETAINING SPACER
24	1211671	24-3000FRC	BAIL WIRE	51A	1191986	51A-3000SG	RETAINING SCREW (3 REQUIRED)
27	1211673	27-3000FRC	ROTOR CUP	52	1214190	52-3000FRC	DRAG KNOB
27A	1211511	27A-3000FRC	BAIL PIVOT COVER	56	1192035	56-3000SG	DRAG WASHER FELT (3 REQUIRED)
28	1203985	28-3000PUR	TRIP LEVER	57	1192043	57-3000SG	KEYED DRAG WASHER (2 REQUIRED)
31	1203987	31-3000PUR	BAIL ARM SCREW	58	1192052	58-3000SG	EARRED DRAG WASHER
32	1203988	32-3000PUR	BAIL SPRING	60	1192060	60-3000SG	THRUST WASHER
34	1211513	34-3000FRC	BAIL ARM	95B	1192185	95B-3000SG	ROTOR LOCKING PLATE
34C	1203990	34C-3000PUR	PIVOT ARM	98C	1192212	98C-3000SG	CLUTCH/SLEEVE ASSEMBLY
35	1191674	35-3000SG	LINE ROLLER	98W	1192228	98W-2000SG	CLUTCH WASHER
35A	1203992	35A-3000PUR	LINE ROLLER BEARING	132	1192298	132-7000SG	ROLLER WASHER
36	1203993	36-3000PUR	BAIL STUD SCREW	132A	1192302	132A-3000SG	LINE ROLLER WASHER
38	1191728	38-3000SG	ROTOR NUT	226	1214191	226-3000FRC	REAR COVER
38A	1203995	38A-3000PUR	ROTOR LOCKING PLATE SCREW	226A	1192473	226A-3000SG	REAR COVER SCREW
39	1211514	39-3000FRC	SPOOL SHAFT	231	1192498	231-3000SG	CROSSWIND GEAR
				233	1211667	233-3000FRC	BEARING COVER

NOTE: Many of www.pennparts.com schematics include changes that were either made by Penn, or errors found and corrected by our parts dept.
SBT Ver. 102216 (based on Penn's Rev. 2 - 5/31/10)

56* OPTION: The 56-3000BTL HT100 washers can be used in place of the Felt Washers 56-3000SG.