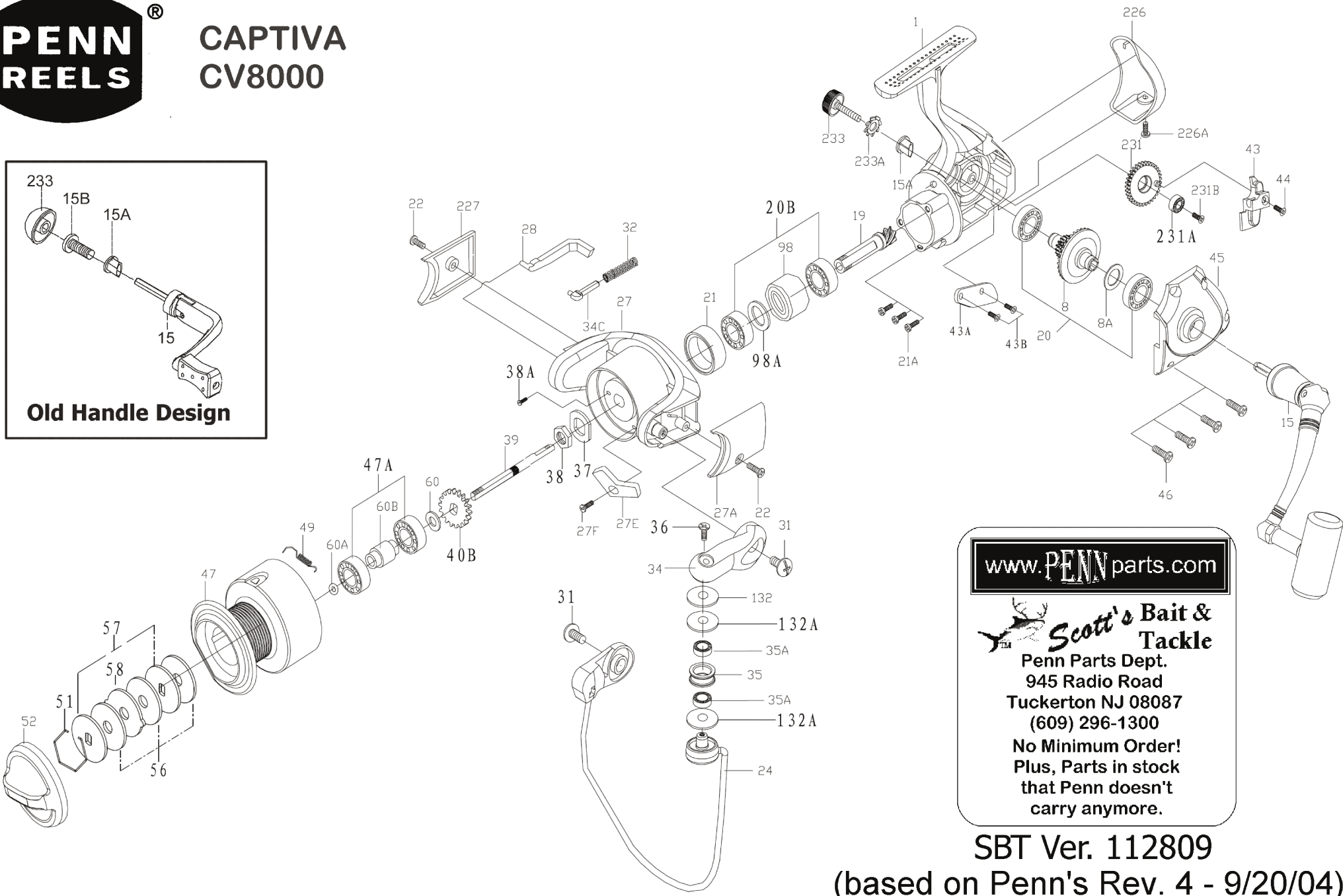
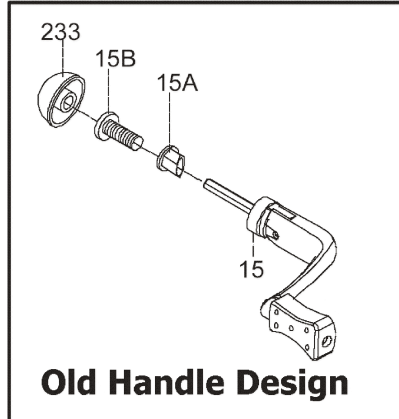




# CAPTIVA CV8000



[www.PENNparts.com](http://www.PENNparts.com)

**Scott's Bait & Tackle**  
 Penn Parts Dept.  
 945 Radio Road  
 Tuckerton NJ 08087  
 (609) 296-1300

**No Minimum Order!**  
**Plus, Parts in stock that Penn doesn't carry anymore.**

**SBT Ver. 112809**  
**(based on Penn's Rev. 4 - 9/20/04)**

# Penn Reel Parts list for Model: CV8000 Captiva

KEY PART NO.	NO.	DESCRIPTION	KEY PART NO.	NO.	DESCRIPTION
1	1-8000CV	HOUSING	39	39-8000CV	SPOOL SHAFT
8	8-8000CV	MAIN GEAR ASSEMBLY	40B	40B-8000CV	CLICK RATCHET
8A	8A-8000CV	MAIN GEAR SHIM	43	43-8000CV	CROSSWIND BLOCK
19	19-8000CV	PINION GEAR	44	44-8000CV	CROSSWIND BLOCK SCREW
20	20-8000CV	MAIN GEAR BALL BEARING (2 REQUIRED)	45	45-8000CV	HOUSING COVER
20A	20A-8000CV	PINION BALL BEARING (2 REQUIRED)	46	46-8000CV	HOUSING COVER SCREW (4 REQUIRED)
20B	20B-8000CV	PINION BALL BEARING (2 REQUIRED)	47	47-8000CV	SPOOL ASSEMBLY
21	21-8000CV	COLLAR	47A	20-500CV	SPOOL BALL BEARING (2 REQUIRED)
21A	21A-2000CV	BEARING MOUNTING SCREW (3 REQUIRE	49	49-8000CV	SPOOL CLICK SPRING
22	22-8000CV	COVER SCREW (2 REQUIRED)	51	51-8000CV	RETAINING RING
24	24-8000CV	BAIL WIRE	52	52-8000CV	DRAG KNOB
27	27-8000CV	ROTOR CUP	56	56-8000CV	FRICTION DRAG WASHER (3 REQUIRED)
27A	27A-8000CV	BAIL PIVOT COVER	57	57-8000CV	KEYED WASHER (2 REQUIRED)
27E	27E-8000CV	BALANCE WEIGHT	58	58-8000CV	EARED DRAG WASHER
27F	27F-2000CV	BALANCE WEIGHT SCREW	60	60-8000CV	THRUST WASHER
28	28-8000CV	TRIP LEVER	60A	60A-8000CV	'O' RING
31	31-8000CV	BAIL SCREW (2 REQUIRED)	60B	60B-8000CV	SPOOL SHAFT BUSHING
32	32-8000CV	BAIL SPRING	98	98-8000CV	CLUTCH RETAINER
34	34-8000CV	BAIL ARM	98A	98A-8000CV	CLUTCH SHIM
34C	34C-8000CV	PIVOT ARM	132	132-8000CV	BRASS ROLLER WASHER
35	35-8000CV	LINE ROLLER	132A	132A-8000CV	PLASTIC ROLLER WASHER (2 REQUIRE
35A	35A-8000CV	LINE ROLLER BALL BEARING (2 REQUIRE	226	226-8000CV	REAR CAP
36	36-8000CV	BAIL STUD SCREW	226A	226A-8000CV	REAR CAP SCREW
37	37-8000CV	ROTOR WASHER	227	227-8000CV	CAM COVER
38	38-8000CV	ROTOR NUT (****reverse threads****)	231	231-8000CV	CROSSWIND GEAR
38A	38A-8000CV	ROTOR NUT SCREW	231A	231A-8000CV	CROSSWIND GEAR BALL BEARING
			231B	231B-8000CV	BALL BEARING SCREW

NOTE: Many of www.pennparts.com schematics include changes that were either made by Penn, or errors found and corrected by our parts dept.  
SBT Ver. 090608 (based on Penn's Rev. 4 - 9/20/04)

## DESIGN CHANGE: Old Handle setup

### Key NCPart NO./Description

15	15-8000CV	Handle
15A	15A-8000CV	Handle Bushing
15B	15B-8000CV	Handle Screw
233	233-8000CV	Bearing Cover

## New Handle setup

### Key NO Part NO./Description

15	15N-8000CV	Handle
15A	15A-8000CV	Bushing
233A	233A-8000CV	Handle Washer
233	233N-8000CV	Bearing Cover w/attached screw **

\*\*The newer bearing cover will work just fine with the old style handle