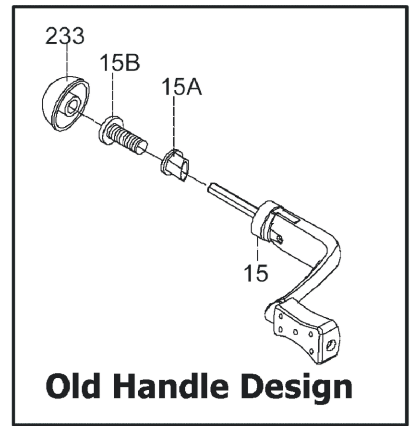
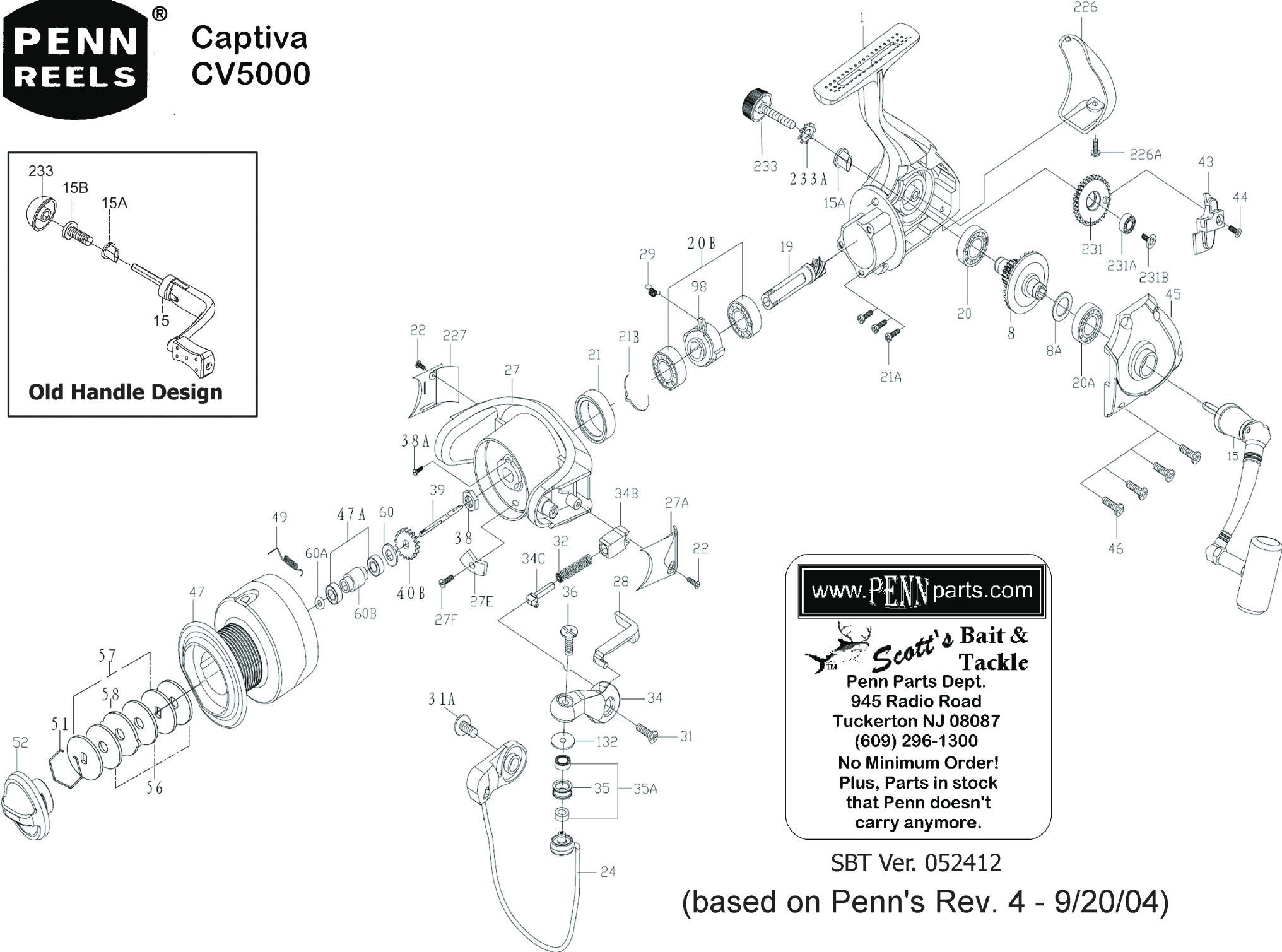




Captiva CV5000



Old Handle Design



www.PENNparts.com

Scott's Bait & Tackle
 Penn Parts Dept.
 945 Radio Road
 Tuckerton NJ 08087
 (609) 296-1300

**No Minimum Order!
 Plus, Parts in stock
 that Penn doesn't
 carry anymore.**

SBT Ver. 052412

(based on Penn's Rev. 4 - 9/20/04)

Penn Reel Parts list for:

Model: CV5000 Captiva

KEY PART			KEY PART		
NO	NO.	DESCRIPTION	NO	NO.	DESCRIPTION
1	1-5000CV	HOUSING	38	38-5000CV	ROTOR NUT (****reverse threads****)
8	8-5000CV	MAIN GEAR ASSEMBLY	38A	38A-2000CV	ROTOR NUT SCREW (Old #38A-500CV)
8A	8A-5000CV	MAIN GEAR SHIM	39	39-5000CV	SPOOL SHAFT
19	19-5000CV	PINION GEAR	40B	40B-5000CV	CLICK RATCHET
20	20-5000CV	HOUSING BALL BEARING	43	43-5000CV	CROSSWIND BLOCK
20A	20A-5000CV	HOUSING COVER BALL BEARING	44	44-5000CV	CROSSWIND BLOCK SCREW
20B	20B-5000CV	PINION BALL BEARING (2 REQUIRED)	45	45-5000CV	HOUSING COVER
21	21-5000CV	COLLAR	46	46-5000CV	HOUSING COVER SCREW (4 REQUIRED)
21A	21A-2000CV	BEARING MOUNTING SCREW (3 REQUIRED)	47	47-5000CV	SPOOL ASSEMBLY
21B	n/a	BEARING SPRING?	47A	47A-5000CV	SPOOL BALL BEARING (2 REQUIRED)
22	22-5000CV	COVER SCREW (2 REQUIRED)	49	49-5000CV	SPOOL CLICK SPRING
24	24-5000CV	BAIL WIRE	51	51-2000CV	RETAINING RING
27	27-5000CV	ROTOR CUP	52	52-5000CLL	DRAG KNOB
27A	27A-5000CV	BAIL PIVOT COVER	56	56-2000CV	FRICTION DRAG WASHER (3 REQUIRED)
27E	27E-5000CV	BALANCE WEIGHT	57	57-2000CV	KEYED WASHER (2 REQUIRED)
27F	27F-2000CV	BALANCE WEIGHT SCREW	58	58-2000CV	EARED DRAG WASHER
28	28-6000CV	TRIP LEVER	60	60-5000CV	THRUST WASHER
29	29-5000CV	SPRING	60A	60A-5000CV	'O' RING
31	31-2000CV	BAIL ARM SCREW	60B	60B-5000CV	SPOOL SHAFT BUSHING
31A	31A-2000CV	BAIL WIRE SCREW	98	98-5000CV	CLUTCH RETAINER
32	32-4000CV	BAIL SPRING	132	132-5000CV	ROLLER WASHER
34	34-5000CV	BAIL ARM	226	226-5000CV	REAR CAP
34B	34B-4000CV	PIVOT GUIDE	226A	226A-5000CV	REAR CAP SCREW
34C	34C-5000CV	PIVOT ARM	227	227-5000CV	CAM COVER
35	35-5000CV	LINE ROLLER	231	231-5000CV	CROSSWIND GEAR
35A	35A-5000CV	LINE ROLLER BALL BEARING (2 REQUIRED)	231A	231A-5000CV	CROSSWIND GEAR BALL BEARING
36	36-5000CV	BAIL STUD SCREW	231B	231B-5000CV	BALL BEARING SCREW

NOTE: Many of www.pennparts.com schematics include changes that were either made by Penn, or errors found and corrected by our parts dept.
 SBT Ver. 052412 (based on Penn's Rev. 4 - 9/20/04)

DESIGN CHANGE: Old Handle setup

New Handle setup

Key NO	Part NO./Description	Key NO	Part NO./Description
15	15-5000CV Handle	15	15N-5000CV Handle
15A	15A-5000CV Handle Bushing	15A	15A-5000CV Bushing
15B	15B-5000CV Handle Screw	233A	233A-2000CV Handle Washer
233	233-2000CV Bearing Cover	233	233N-2000CV Bearing Cover w/attached screw **

**The newer bearing cover will work just fine with the old style handle