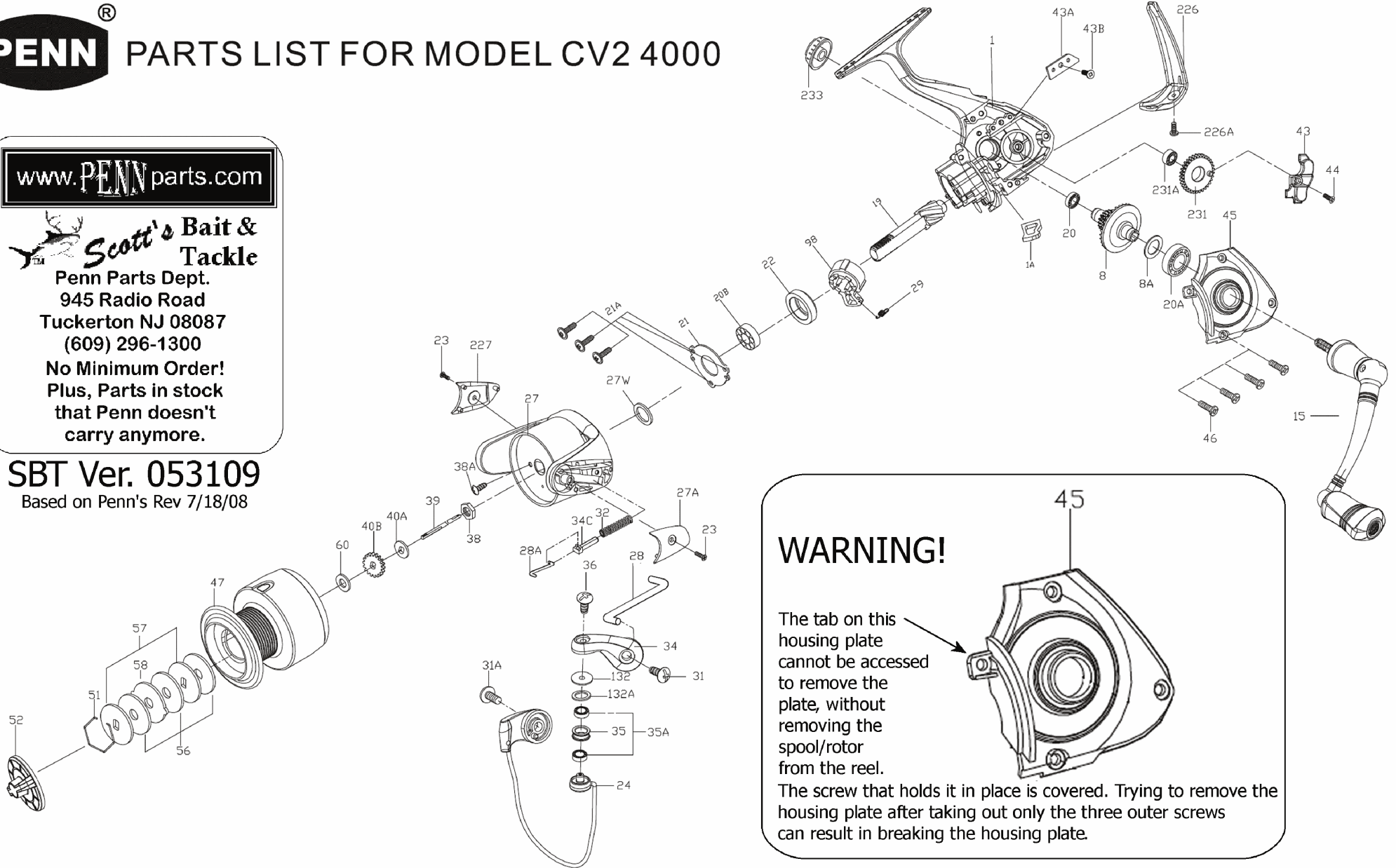


PENN® PARTS LIST FOR MODEL CV2 4000

www.PENNparts.com

Scott's Bait & Tackle
 Penn Parts Dept.
 945 Radio Road
 Tuckerton NJ 08087
 (609) 296-1300
No Minimum Order!
Plus, Parts in stock that Penn doesn't carry anymore.

SBT Ver. 053109
 Based on Penn's Rev 7/18/08



WARNING!

The tab on this housing plate cannot be accessed to remove the plate, without removing the spool/rotor from the reel.

The screw that holds it in place is covered. Trying to remove the housing plate after taking out only the three outer screws can result in breaking the housing plate.

Penn Reel Parts list for:

Model: CV2 4000 Captiva

KEY PART			KEY PART		
NO	NO.	DESCRIPTION	NO	NO.	DESCRIPTION
1	1-4000CV2	HOUSING	38	38-2000CV2	ROTOR NUT
1A	1A-4000CV2	HOUSING INSERT	38A	38A-2000CV2	ROTOR NUT SCREW
8	8-4000CV2	MAIN GEAR ASSEMBLY	39	39-4000CV2	SPOOL SHAFT
8A	8A-4000CV2	MAIN GEAR SHIM (USES 1 OR 2)	40A	40A-2000CV2	SPOOL SHAFT WASHER
15	15-4000CV2	HANDLE ASSEMBLY	40B	40B-2000CV2	CLICK RATCHET
19	19-4000CV2	PINION GEAR	43	43-4000CV2	CROSSWIND BLOCK
20	20-2000CV2	HOUSING BALL BEARING	43A	43A-4000CV2	CROSSWIND BLOCK PLATE
20A	20A-4000CV2	HOUSING COVER BALL BEARING	43B	43B-2000CV2	CROSSWIND PLATE SCREW
20B	20B-2000CV2	PINION BALL BEARING	44	44-2000CV2	CROSSWIND BLOCK SCREW
21	21-2000CV2	BEARING RETAINER	45	45-4000CV2	HOUSING COVER
21A	21A-2000CV2	BEARING RETAINER SCREW (USES 3)	46	46-2000CV2	HOUSING COVER SCREW (USES 4)
22	22-2000CV2	COLLAR	47	47-4000CV2	SPOOL ASSEMBLY
23	23-2000CV2	ROTOR SIDE COVER SCREWS (USES 2)	51	51-4000CV2	RETAINING RING
24	24-4000CV2	BAIL WIRE	52	52-4000CV2	DRAG KNOB
27	27-4000CV2	ROTOR CUP	56	56-4000CV2	FRICTION DRAG WASHER (USES 3)
27A	27A-4000CV2	BAIL PIVOT COVER	57	57-2000CV2	KEYED WASHER (USES 2)
27W	27W-4000CV2	ROTOR WASHER	58	58-2000CV2	EARED DRAG WASHER
28	28-4000CV2	TRIP LEVER	60	60-2000CV2	THRUST WASHER
28A	28A-4000CV2	TRIP LEVER LINK	98	98-4000CV2	CLUTCH RETAINER & SLEEVE
29	29-2000CV2	SPRING	132	132-4000CV2	LINE ROLLER BUSHING
31	31-2000CV2	BAIL ARM SCREW	132A	132A-2000CV2	LINE ROLLER WASHER
31A	31A-2000CV2	BAIL WIRE SCREW	226	226-4000CV2	REAR CAP
32	32-4000CV2	BAIL SPRING	226A	226A-2000CV2	REAR CAP SCREW
34	34-4000CV2	BAIL ARM	227	227-4000CV2	BAIL CAM COVER
34C	34C-2000CV2	PIVOT ARM	231	231-4000CV2	CROSSWIND GEAR
35	35-4000CV2	LINE ROLLER	231A	231A-4000CV2	CROSSWIND GEAR BALL BEARING
35A	35A-2000CV2	LINE ROLLER BALL BEARING (USES 2)	233	233-2000CV2	BEARING COVER
36	36-4000CV2	BAIL STUD SCREW			

NOTE: Many of www.pennparts.com schematics include changes that were either made by Penn, or errors found and corrected by our parts dept.

SBT Ver. 053109 (based on Penn's Rev.7/18/08)

NOTE: BOTH THE ROTOR NUT AND THE HANDLE COLLAR
HAVE REVERSE THREADS
 INSTALL BY TURNING COUNTER-CLOCKWISE