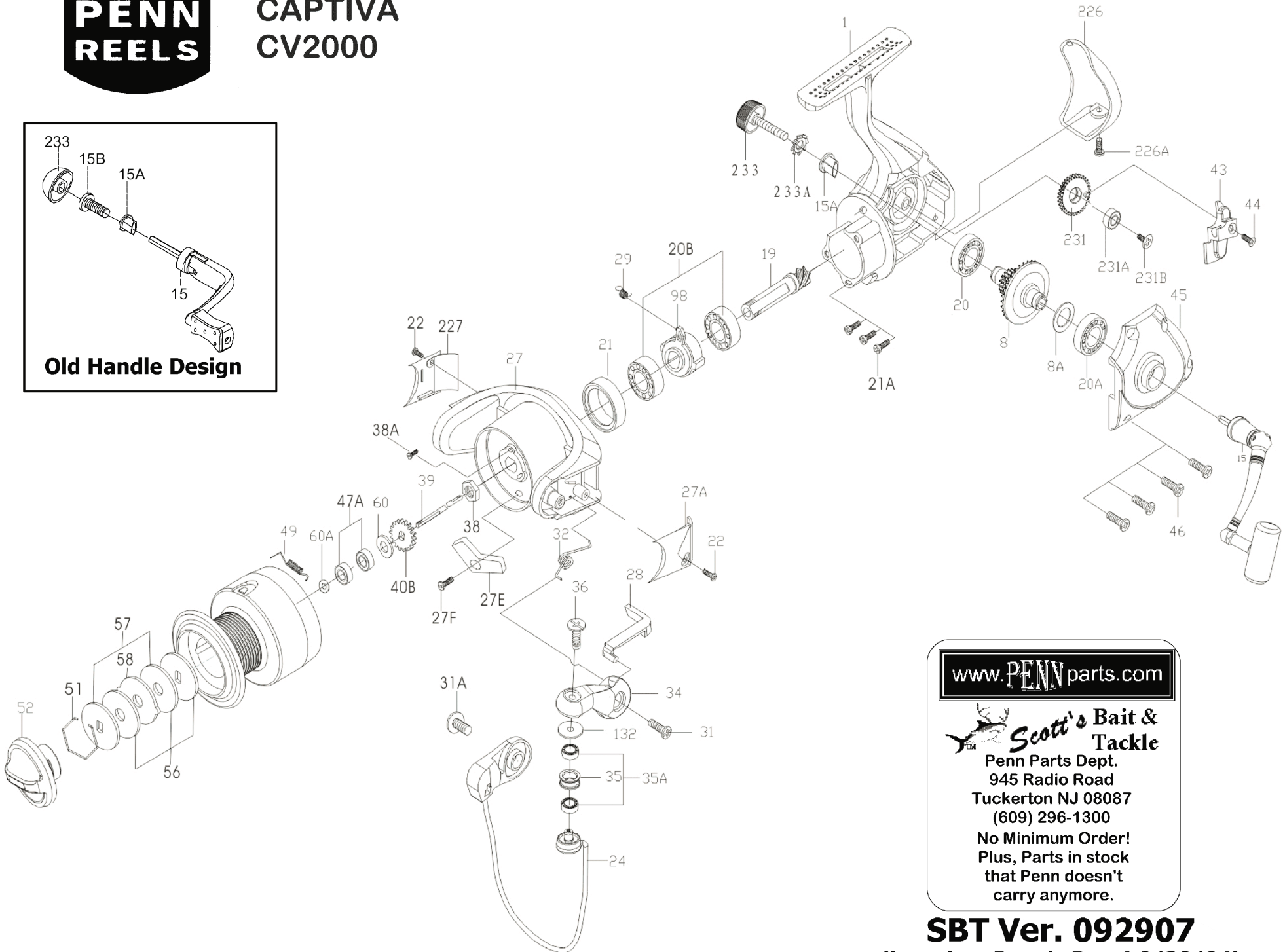
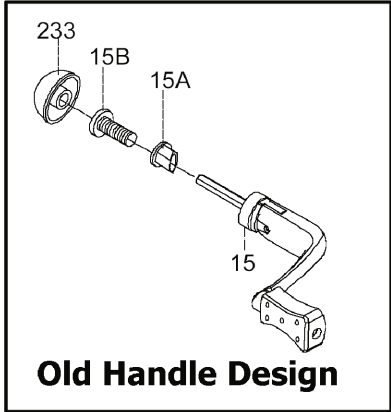




CAPTIVA CV2000



www.PENNparts.com

Scott's Bait & Tackle
Penn Parts Dept.
945 Radio Road
Tuckerton NJ 08087
(609) 296-1300

No Minimum Order!
Plus, Parts in stock
that Penn doesn't
carry anymore.

SBT Ver. 092907
(based on Penn's Rev.4 9/20/04)

Penn Reel Parts list for:

Model: CV2000 Captiva

KEY PART		DESCRIPTION	KEY PART		DESCRIPTION
NO	NO.		NO	NO.	
1	1-2000CV	HOUSING	38	38-2000CV	ROTOR NUT (****reverse threads****)
8	8-2000CV	MAIN GEAR ASSEMBLY	38A	38A-2000CV	ROTOR NUT SCREW
8A	8A-500CV	MAIN GEAR SHIM	39	39-2000CV	SPOOL SHAFT
19	19-2000CV	PINION GEAR	40B	40B-2000CV	CLICK RATCHET
20	20-500CV	HOUSING BALL BEARING	43	43-2000CV	CROSSWIND BLOCK
20A	20A-500CV	HOUSING COVER BALL BEARING	44	44-2000CV	CROSSWIND BLOCK SCREW
20B	20B-2000CV	PINION BALL BEARING (2 REQ.)	45	45-2000CV	HOUSING COVER
21	21-2000CV	COLLAR	46	46-2000CV	HOUSING COVER SCREW (4 REQ.)
21A	21A-2000CV	BEARING MOUNTING SCREW (3 REQ.)	47	47-2000CV	SPOOL ASSEMBLY
22	22-500CV	COVER SCREW (2 REQ.)	47A	47A-2000CV	SPOOL BALL BEARING (2 REQ.)
24	24-2000CV	BAIL WIRE	49	49-2000CV	SPOOL CLICK SPRING
27	27-2000CV	ROTOR CUP	51	51-2000CV	RETAINING RING
27A	27A-2000CV	BAIL PIVOT COVER	52	52-2000CV	DRAG KNOB
27E	27E-2000CV	BALANCE WEIGHT	56	56-2000CV	FRICTION DRAG WASHER (3 REQ.)
27F	27F-2000CV	BALANCE WEIGHT SCREW	57	57-2000CV	KEYED WASHER (2 REQ.)
28	28-2000CV	TRIP LEVER	58	58-2000CV	EARED DRAG WASHER
29	29-2000CV	SPRING	60	60-2000CV	THRUST WASHER
31	31-2000CV	BAIL ARM SCREW (2 REQ.)	60A	60A-2000CV	'O' RING
31A	31A-2000CV	BAIL WIRE SCREW	98	98-2000CV	CLUTCH RETAINER
32	32-2000CV	BAIL SPRING	132	132-2000CV	ROLLER WASHER
34	34-2000CV	BAIL ARM	226	226-2000CV	REAR CAP
35	35-2000CV	LINE ROLLER	226A	226A-2000CV	REAR CAP SCREW
35A	35A-2000CV	LINE ROLLER BALL BEARING (2 REQ.)	227	227-2000CV	CAM COVER
36	36-2000CV	BAIL STUD SCREW	231	231-2000CV	CROSSWIND GEAR
			231A	231A-2000CV	CROSSWIND GEAR BALL BEARING
			231B	231B-2000CV	BALL BEARING SCREW

NOTE: Many of www.pennparts.com schematics include changes that were either made by Penn, or errors found and corrected by our parts dept.

SBT Ver. 092907 (based on Penn's Rev. 4 - 9/20/04)

DESIGN CHANGE: Old Handle setup

Key NO	Part NO./Description
15	15-2000CV Handle
15A	15A-500CV Handle Bushing
15B	15B-500CV Handle Screw
233	233-2000CV Bearing Cover

New Handle setup

Key NO	Part NO./Description
15	15N-2000CV Handle
15A	15A-500CV Bushing
233A	233A-2000CV Handle Washer
233	233N-2000CV Bearing Cover w/attached screw **

**The newer bearing cover will work just fine with the old style handle