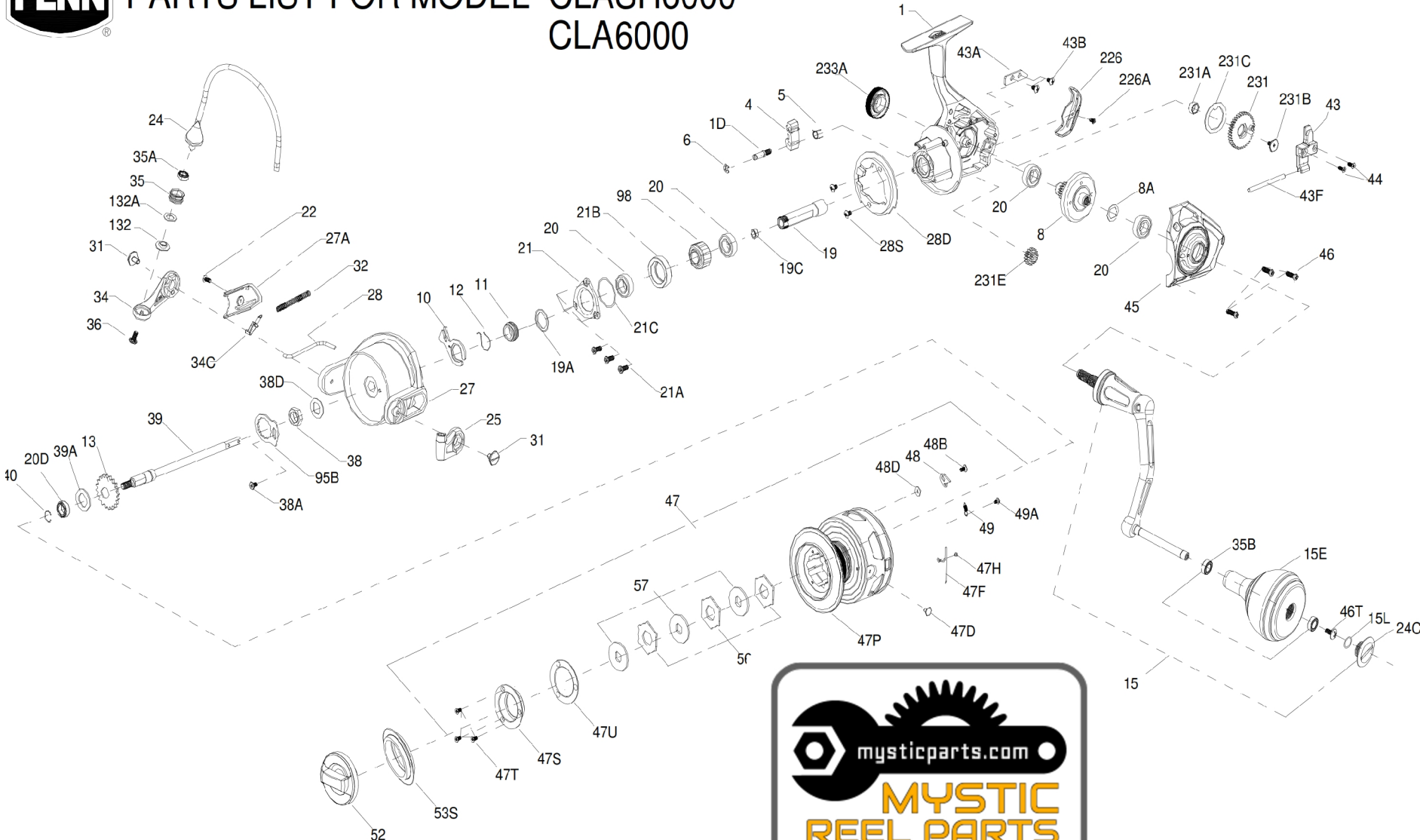




PARTS LIST FOR MODEL CLASH6000 CLA6000



mysticparts.com
MYSTIC REEL PARTS
 965 Radio Raod
 Little Egg Harbor, NJ 08087
 +1 (609) 296-1300
 www.mysticparts.com
 customerservice@mysticparts.com

MRP VER 082816
 (Based on Penn's Rev. 2 8-15-16)

Penn Reel Parts list for Model: CLA6000 Clash Spinning

<u>KEY #</u>	<u>PUREFISHING #</u>	<u>PENN PART #</u>	<u>DESCRIPTION</u>	<u>KEY #</u>	<u>PUREFISHING #</u>	<u>PENN PART #</u>	<u>DESCRIPTION</u>
1	1389458	1-CLA6000	Housing Body	31	1277055	31-SSV5500	Bail Arm Screw (2 Required)
1D	1277140	1D-SSV7500	Post, A/R Pawl Post	32	1389467	32-CLA6000	Compressing Bail Spring
4	1389459	4-CLA6000	A/R Pawl	34	1389468	34-CLA6000	Bail Arm
5	1339474	5-CLA5000	Spring, A/R Pawl	34C	1389469	34C-CLA6000	Pivot Arm
6	1277144	6-SSV7500	A/R Pawl	35	1277059	35-SSV5500	Line Roller
8	1389460	8-CLA6000	Main Drive Gear	35A	1377606	35A-BTLii8000LC	Sealed Ball Bearing (Line Roller)
8A	1277037	8A-SSV5500	Drive Gear Shim	35B	1377606	35A-BTLii8000LC	Ball Bearing (2 Required)
10	1339476	10-CLA5000	Holder, A/R Pawl	36	1277166	36-SSV7500	Screw, Line Roller
11	1339479	11-CLA5000	Bushing, A/R	38	1339517	38-CLA5000	Rotor Nut
12	1339487	12-CLA5000	Spring, A/R Bushing	38A	1119121	20C-7000AF	Rotor Nut Lock Plate Screw
13	1339489	13-CLA5000	Click Gear (Ratchet)	38D	1277064	38D-SSV5500	Rotor Washer
15	1339490	15-CLA5000	Handle Assembly	39	1389470	39-CLA6000	Main Shaft
15E	1418244	15E-CLA6000	Handle Knob	39A	1339525	39A-CLA5000	Washer, Spool Adjusting
15L	1417804	15L-CLA2000	Handle Seal	40	1339529	40-CLA5000	Spring, for Main Shaft Bearing Lock
19	1389461	19-CLA6000	Pinion Gear	43	1389563	43-CLA6000	Oscillation Slider (Crosswind Block)
19A	1393216	19A-CLA5000	Pinion Gear Washer	43A	1339536	43A-CLA5000	Slider Retainer Plate (Crosswind Block Plate)
19C	1339492	19C-CLA5000	Pinion Gear Bushing	43B	1277070	43B-SSV5500	Screw, Osc. Slider Guide (2 Required)
20	1308090	20-CFT5000	Sealed Ball Bearing (4 Required)	43F	1389567	43F-CLA6000	Guide Shaft
20D	1385530	20A-CLA3000	Sealed Ball Bearing (Shaft)	44	1277072	44-SSV4500	Screw, Crosswind Block (2 Required)
21	1277262	21-SSV9500	Retainer, For Ball Bearing	45	1389570	45-CLA6000	Body Cover
21A	1277154	21A-SSV7500	Screw, Bearing Retainer (3 Required)	46	1277074	46-SSV5500	Screw, Body Cover (3 Required)
21B	1339493	21B-CLA5000	Bushing, Ball Bearing	46T	1341500	3-SSV7500LC	Screw, for Handle Knob
21C	1339497	21C-CLA5000	O-Ring, Collar Seal	47	1389584	47-CLA6000	Spool Assembly (Inc. Drags/Clicker)
22	1125962	231G-7000AF	Screw, o/s gear pin screw	47D	1277078	47D-SSV5500	Line Hook
24	1389462	24-CLA6000	Bail Wire Assembly	47F	1277080	47F-SSV5500	Line Clip Retainer
24C	1417808	24C-CLA5000	Handle Knob Cap	47H	1277054	28S-SSV5500	Screw, for Rotor Brake
25	1339500	25-CLA5000	Bail Holder	47P	1389591	47P-CLA6000	Spool, Bare (usually n/a from Penn)
27	1389463	27-CLA6000	Rotor	47S	1339551	47S-CLA5000	Drag Cover
27A	1389464	27A-CLA4000	Rotor Cover	47T	1339552	47T-CLA5000	Screw, Drag Cover (3 Required)
28	1389465	28-CLA6000	Rotor Trip Lever	47U	1418960	47U-SLA3500	Drag Cover Seal
28D	1389466	28D-CLA6000	Rotor Brake	48	1385578	48-CLA3000	Spool Click Plate
28S	1339512	28S-CLA5000	Screw, for Rotor Brake (2 Required)				

48B	1385581	48B-CLA3000	Screw, Spool Clicker Spring	132	1277096	132-SSV5500	Line Roller Collar
48D	1385579	48D-CLA3000	Spacer Ring, Spool Clicker	132A	1277097	132A-SSV5500	Line Roller Washer
49	1259579	49-7000AF	Pulling Spring (Clicker)	226	1389597	226-CLA6000	Rear Cover
49A	1341547	49A-SSV7500LC	Screw, Spool Clicker Spring (1 Required)	226A	1385591	226A-CLA3000	Screw, Rear Cover
52	1339554	52-CLA5000	Drag Knob Assembly	231	1389600	231-CLA6000	Oscillation (Crosswind) Gear
53S	1339555	53S-CLA5000	Seal, Drag Knob	231A	1339566	231A-CLA5000	Bushing, Osc. (Crosswind) Gear
56	1339557	56-CLA5000	Drag Friction Washer (3 Required)	231B	1277100	231B-SSV5500	Screw, Osc. (Crosswind) Gear
57	1339558	57-CLA5000	Keyed Drag Washer (3 Required)	231C	1339567	231C-CLA5000	Washer, Osc. (Crosswind) Gear
95B	1385647	95B-CLA2000	Rotor Nut Locking Plate	231E	1339568	231E-CLA5000	Gear, Slow Oscillation (Crosswind)
98	1277094	98-SSV5500	One Way Clutch Bearing Assembly (A/R)	233A	1339570	233A-CLA5000	Handle Cap (Normally called 233)

MYSTIC REEL PARTS REVISION!

NOTE:

Many of www.mysticparts.com schematics include changes that were either made by Penn, or errors found and corrected by our parts dept.

MRP Ver 121516 (Based on Penns Rev. 6 8-15-16)

CHANGES/CORRECTIONS

36B	1417809	36B-CLA6000	Bail arm Screw Washer (FORMERLY 36B-CLA5000)
-----	---------	-------------	--