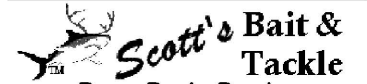




# PARTS LIST FOR MODEL CFT8000

www.PENNparts.com

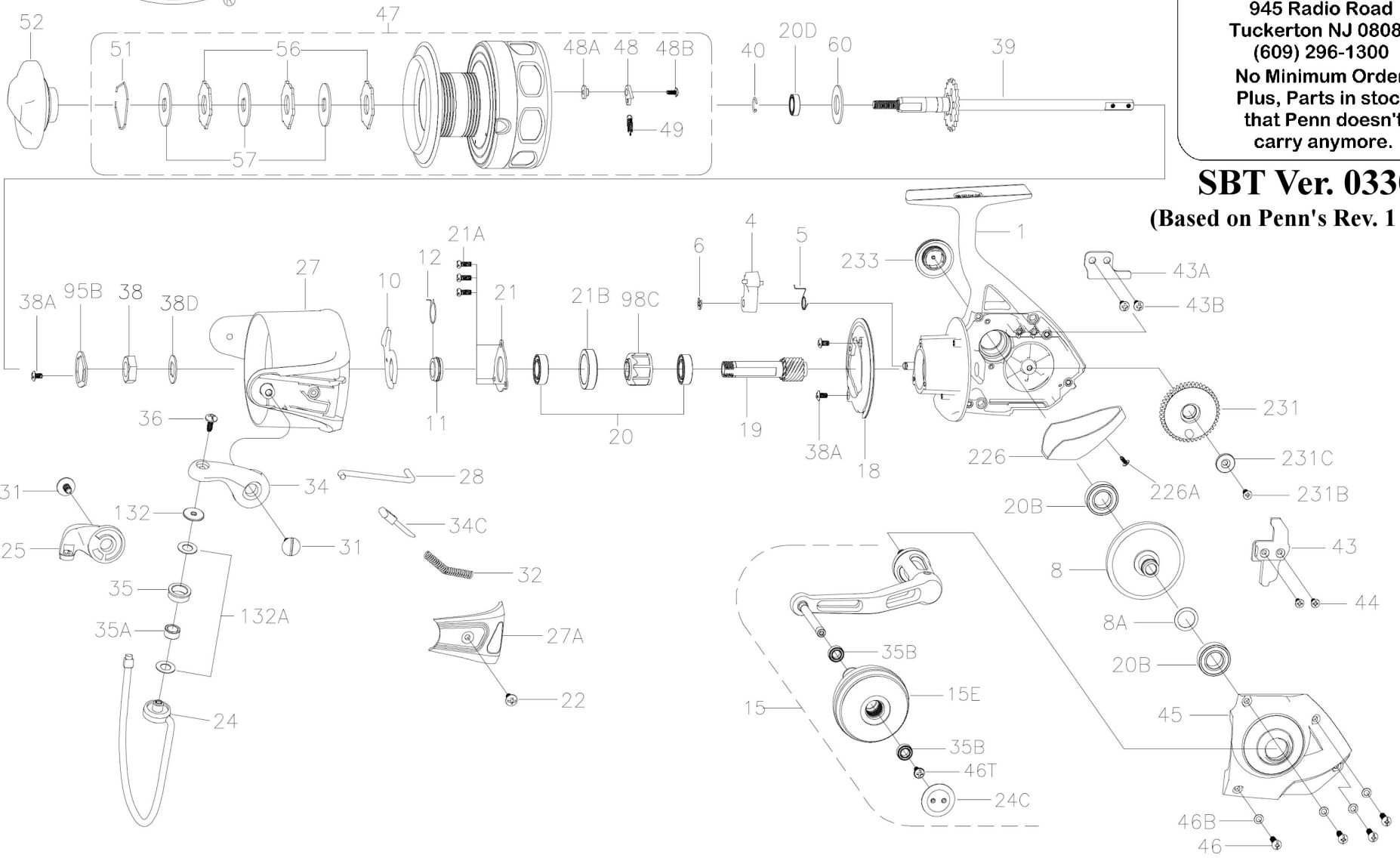


Penn Parts Dept.  
945 Radio Road  
Tuckerton NJ 08087  
(609) 296-1300

No Minimum Order!  
Plus, Parts in stock  
that Penn doesn't  
carry anymore.

## SBT Ver. 033014

(Based on Penn's Rev. 1 - 5/13/13)



## Penn Reel Parts list for Model: CFT8000 Conflict Spinning Series

KEY	PUREFISHING	PENN PART	DESCRIPTION	KEY	PUREFISHING	PART	DESCRIPTION
NO	NO.	NO.		NO	NO.	NO.	
1	1313862	1-CFT8000	HOUSING	36	1191704	36-7000SG	BAIL PIVOT COVER SCREW
4	1190939	4-7000SG	DOG	38	1191731	38-7000SG	ROTOR NUT
5	1190966	5-5000SG	DOG SPRING	38A	1191736	38A-5000SG	SCREW (3 REQUIRED)
6	1190979	6-5000SG	RETAINING CLIP	38D	1308104	38D-CFT5000	ROTOR NUT WASHER
8	1313863	8-CFT8000	MAIN GEAR ASSEMBLY	39	1313878	39-CFT8000	SPOOL SHAFT
8A	1191031	8A-7000SG	MAIN GEAR SHIM	40	1211620	40-5000BTL	BEARING LOCK SPRING
10	1313864	10-CFT8000	A/R HOLDER (ANTI-REVERSE)	43	1313879	43-CFT8000	CROSSWIND BLOCK
11	1191087	11-7000SG	BUSHING	43A	1191821	43A-7000SG	CROSSWIND BLOCK PLATE
12	1313865	12-CFT8000	A/R BUSHIGN SPRING (ANTI-REVERSE)	43B	1191826	43B-3000SG	CROSSWIND BLOCK PLATE SCREW (2 REQUIRED)
15	1313866	15-CFT8000	HANDLE ASSEMBLY	44	1191845	44-5000SG	CROSSWIND BLOCK SCREW (2 REQUIRED)
15E	1316418	15E-CFT8000	HANDLE KNOB	45	1313880	45-CFT8000	HOUSING COVER
18	1313867	18-CFT8000	ROTOR BRAKE	46	1191903	46-5000SG	HOUSING COVER SCREW (4 REQUIRED)
19	1313868	19-CFT8000	PINION GEAR	46B	1191908	46B-5000SG	HOUSING COVER WASHER (4 REQUIRED)
20	1308090	20-CFT5000	BALL BEARING (2 REQUIRED)	46T	1316411	46T-CFT2000	SCREW
20B	1192621	20B-7000SG	BALL BEARING (2 REQUIRED)	47	1313881	47-CFT8000	SPOOL ASSEMBLY
20D	1211610	20D-5000BTL	BALL BEARING	48	1211625	48-5000SG	CLICK TONGUE
21	1192636	21-5000SG	BEARING RETAINER	48A	1211626	48A-5000SG	CLICK TONGUE WASHER
21A	1192645	21A-5000SG	BEARING RETAINER SCREW (3 REQUIRED)	48B	1211612	48B-5000SG	SPOOL CLICK SCREW
21B	1192650	21B-5000SG	COLLAR	49	1211627	49-5000SG	CLICK TONGUE SPRING
22	1192662	22-7000SG	BAIL PIVOT COVER SCREW	51	1308112	51-CFT5000	RETAINING SPACER
24	1313869	24-CFT8000	BAIL WIRE	52	1313882	52-CFT8000	DRAG KNOB
24C	1316416	24C-CFT5000	HANDLE KNOB CAP	56	1313883	56-CFT8000	DRAG WASHER (3 REQUIRED)
25	1313870	25-CFT8000	BAIL HOLDER	57	1211646	57-7000BTL	KEYED DRAG WASHER (3 REQUIRED)
27	1313871	27-CFT8000	ROTOR CUP	60	1211629	60-5000BTL	THRUST WASHER
27A	1313872	27A-CFT8000	BAIL PIVOT COVER	95B	1308115	95B-CFT5000	ROTOR LOCKING PLATE
28	1313873	28-CFT8000	TRIP LEVER	98C	1313884	98C-CFT8000	CLUTCH/SLEEVE ASSEMBLY
31	1308100	31-CFT5000	BAIL ARM SCREW (2 REQUIRED)	132	1292298	132-7000SG	ROLLER WASHER
32	1313874	32-CFT8000	BAIL SPRING	132A	1192302	132A-3000SG	LINE ROLLER WASHER (2 REQUIRED)
34	1313875	34-CFT8000	BAIL ARM	226	1313885	226-CFT8000	REAR COVER
34C	1191656	34C-7000SG	PIVOT ARM	226A	1192473	226A-3000SG	REAR COVER SCREW
35	1313876	35-CFT8000	LINE ROLLER	231	1313886	231-CFT8000	CROSSWIND GEAR
35A	1313877	35A-CFT8000	LINE ROLLER BUSHING	231B	1313887	231B-CFT8000	SCREW, CROSSWIND GEAR
35B	1316417	35B-CFT5000	BALL BEARING (2 REQUIRED)	231C	1313888	231C-CFT8000	SCREW, CROSSWIND SLEEVE
				233	1308118	233-CFT5000	BEARING COVER

NOTE: Many of [www.pennparts.com](http://www.pennparts.com) schematics include changes that were either made by Penn, or errors found and corrected by our parts dept.  
 SBT Ver. 033014 (based on Penn's Rev. 1 - 5/13/13)