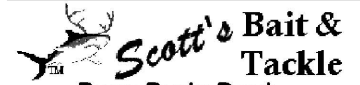




# PARTS LIST FOR MODEL CFT5000

www.PENNparts.com

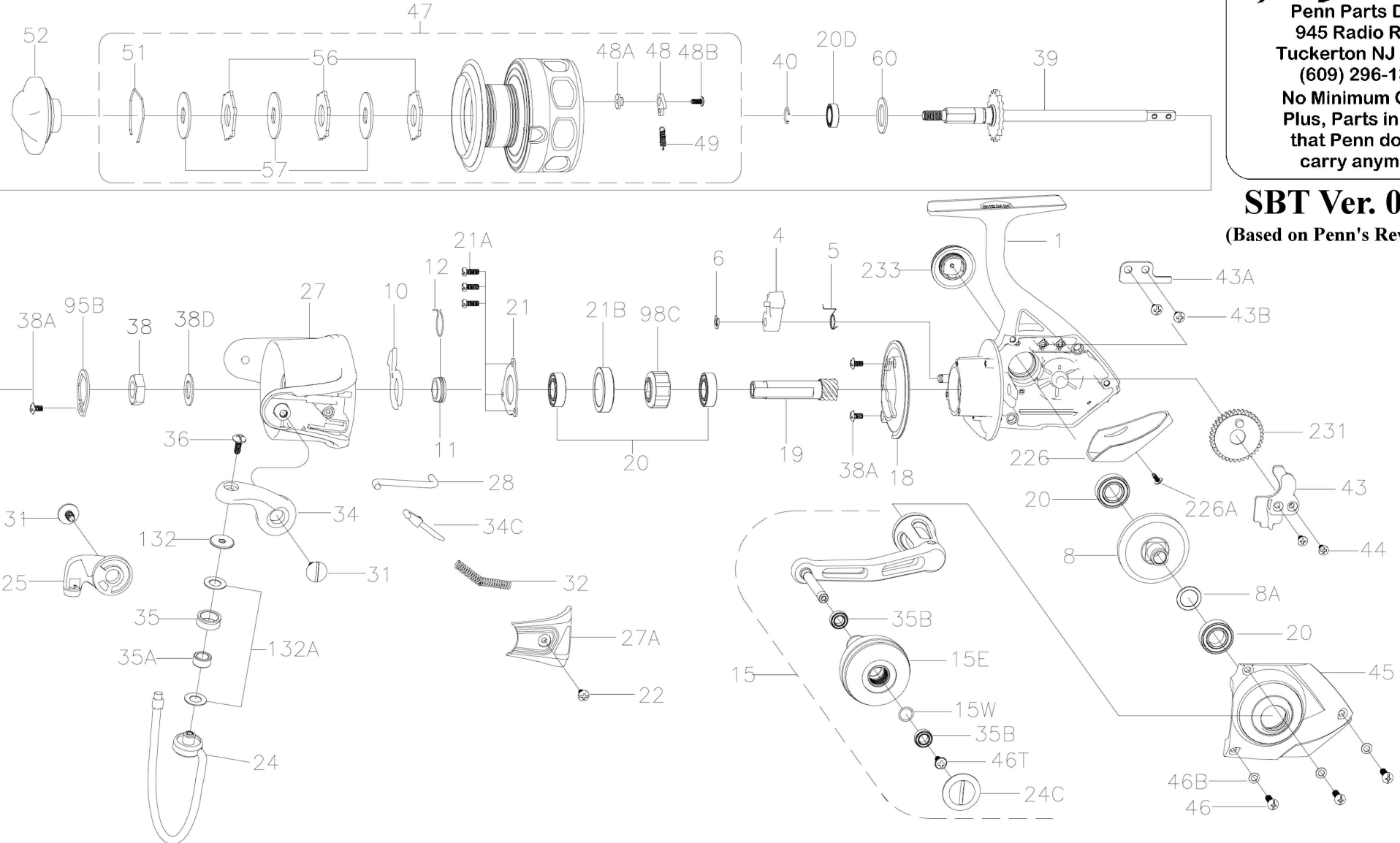


Penn Parts Dept.  
945 Radio Road  
Tuckerton NJ 08087  
(609) 296-1300

No Minimum Order!  
Plus, Parts in stock  
that Penn doesn't  
carry anymore.

## SBT Ver. 033014

(Based on Penn's Rev. 1 - 5/13/13)



## Penn Reel Parts list for Model: CFT5000 Conflict Spinning Series

PUREFISHING PENN PART				PUREFISHING PART			
S NO	NO.	NO.	DESCRIPTION	KEY NO	NO.	NO.	DESCRIPTION
1	1308085	1-CFT5000	HOUSING	36	1191699	36-3000SG	BAIL PIVOT COVER SCREW
4	1190937	4-5000SG	DOG	38	1191731	38-7000SG	ROTOR NUT
5	1190966	5-5000SG	DOG SPRING	38A	1191736	38A-5000SG	ROTOR LOCKING PLATE SCREW
6	1190979	6-5000SG	RETAINING CLIP	38D	1308104	38D-CFT5000	ROTOR NUT WASHER
8	1191019	8-5000SG	MAIN GEAR ASSEMBLY	39	1308105	39-CFT5000	SPOOL SHAFT
8A	1191030	8A-5000SG	MAIN GEAR SHIM	40	1211620	40-5000BTL	BEARING LOCK SPRING
10	1191066	10-5000SG	A/R HOLDER (ANTI-REVERSE)	43	1308107	43-CFT5000	CROSSWIND BLOCK
11	1191085	11-5000SG	BUSHING	43A	1191820	43A-5000SG	CROSSWIND BLOCK PLATE
12	1191090	12-5000SG	A/R BUSHIGN SPRING (ANTI-REVERSE)	43B	1191827	43B-5000SG	CROSSWIND BLOCK PLATE SCREW (2 REQUIRED)
15	1308087	15-CFT5000	HANDLE ASSEMBLY	44	1191845	44-5000SG	CROSSWIND BLOCK SCREW (2 REQUIRED)
15E	1316414	15E-CFT5000	HANDLE KNOB	45	1308108	45-CFT5000	HOUSING COVER
15W	1316415	15W-CFT5000	WASHER	46	1191903	46-5000SG	HOUSING COVER SCREW (3 REQUIRED)
18	1308088	18-CFT5000	ROTOR BRAKE	46B	1191908	46B-5000SG	HOUSING COVER WASHER (3 REQUIRED)
19	1308089	19-CFT5000	PINION GEAR	46T	1316411	46T-CFT2000	SCREW
20	1308090	20-CFT5000	BALL BEARING (4 REQUIRED)	47	1308110	47-CFT5000	SPOOL ASSEMBLY
20D	1211610	20D-5000BTL	BALL BEARING	48	1211625	48-5000SG	CLICK TONGUE
21	1192636	21-5000SG	BEARING RETAINER	48A	1211626	48A-5000SG	CLICK TONGUE WASHER
21A	1192645	21A-5000SG	BEARING RETAINER SCREW (3 REQUIRED)	48B	1211612	48B-5000SG	SPOOL CLICK SCREW
21B	1192650	21B-5000SG	COLLAR	49	1211627	49-5000SG	CLICK TONGUE SPRING
22	1192661	22-5000SG	BAIL PIVOT COVER SCREW	51	1308112	51-CFT5000	RETAINING SPACER
24	1308091	24-CFT5000	BAIL WIRE	52	1308113	52-CFT5000	DRAG KNOB
24C	1316416	24C-CFT5000	HANDLE KNOB CAP	56	1308114	56-CFT5000	DRAG WASHER (3 REQUIRED)
25	1308093	25-CFT5000	BAIL HOLDER	57	1192044	57-5000SG	KEYED DRAG WASHER (3 REQUIRED)
27	1308094	27-CFT5000	ROTOR CUP	60	1192062	60-5000SG	THRUST WASHER
27A	1308096	27A-CFT5000	BAIL PIVOT COVER	95B	1308115	95B-CFT5000	ROTOR LOCKING PLATE
28	1308098	28-CFT5000	TRIP LEVER	98C	1308116	98C-CFT5000	CLUTCH/SLEEVE ASSEMBLY
31	1308100	31-CFT5000	BAIL ARM SCREW (2 REQUIRED)	132	1192297	132-5000SG	ROLLER WASHER
32	1308101	32-CFT5000	BAIL SPRING	132A	1192302	132A-3000SG	LINE ROLLER WASHER (2 REQUIRED)
34	1308102	34-CFT5000	BAIL ARM	226	1308117	226-CFT5000	REAR COVER
34C	1191652	34C-5000SG	PIVOT ARM	226A	1192473	226A-3000SG	REAR COVER SCREW
35	1308066	35-CFT3000	LINE ROLLER	231	1192503	231-5000SG	CROSSWIND GEAR
35A	1308067	35A-CFT3000	LINE ROLLER BUSHING	233	1308118	233-CFT5000	BEARING COVER
35B	1316417	35B-CFT5000	BALL BEARING (2 REQUIRED)				

NOTE: Many of [www.pennparts.com](http://www.pennparts.com) schematics include changes that were either made by Penn, or errors found and corrected by our parts dept.  
 SBT Ver. 033014 (based on Penn's Rev. 2 - 7/20/13)