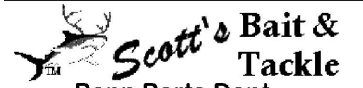




PARTS LIST FOR MODEL CFT3000

www.PENNparts.com

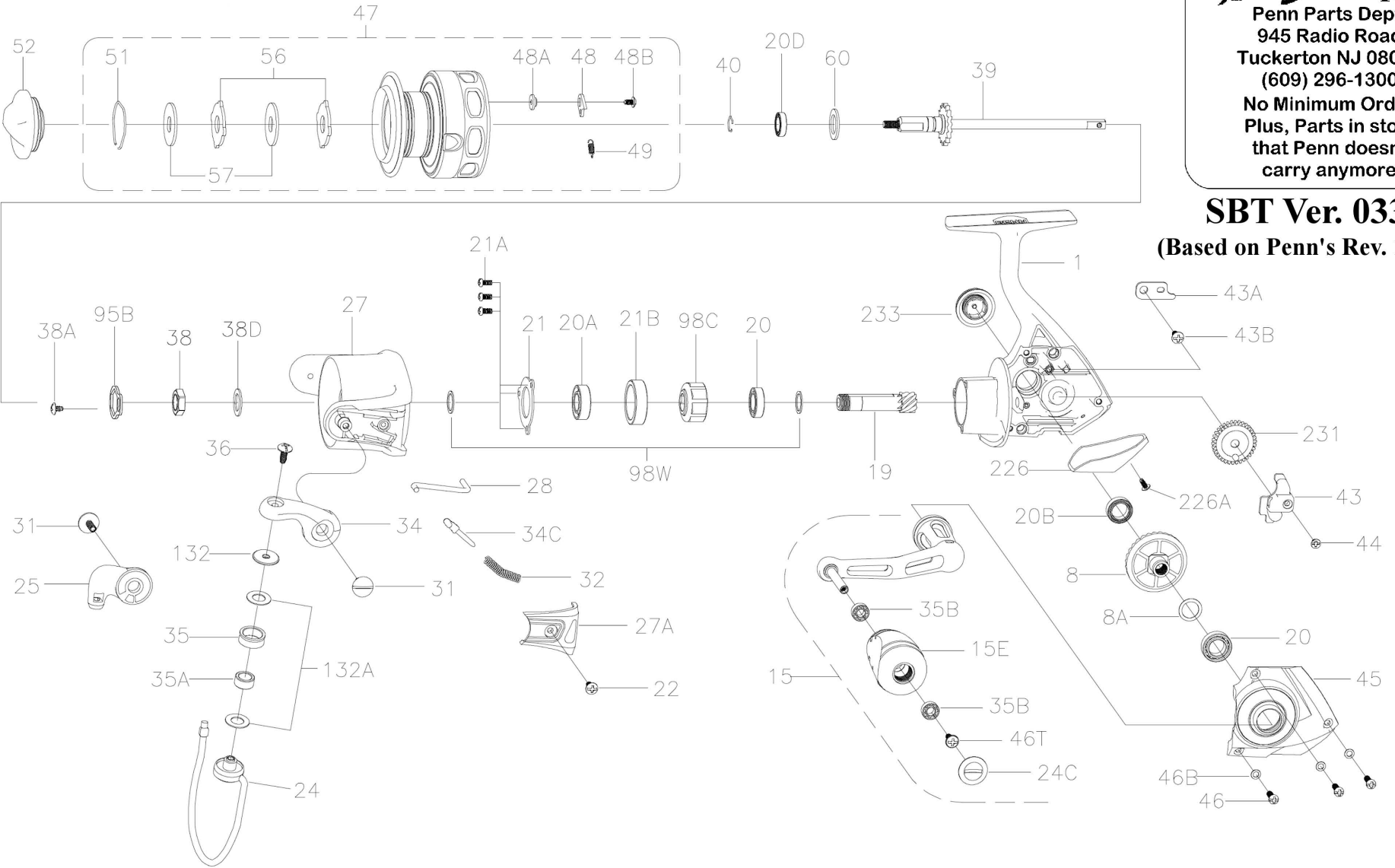


Penn Parts Dept.
945 Radio Road
Tuckerton NJ 08087
(609) 296-1300

No Minimum Order!
Plus, Parts in stock
that Penn doesn't
carry anymore.

SBT Ver. 033014

(Based on Penn's Rev. 1 - 5/13/13)



Penn Reel Parts list for Model: CFT3000 Conflict Spinning Series

PUREFISHING PENN PART				PUREFISHING PART			
S NO	NO.	NO.	DESCRIPTION	KEY NO	NO.	NO.	DESCRIPTION
1	1308045	1-CFT3000	HOUSING	39	1308071	39-CFT3000	SPOOL SHAFT
8	1308047	8-CFT3000	MAIN GEAR ASSEMBLY	40	1308073	40-CFT3000	BEARING LOCK SPRING
8A	1191028	8A-3000SG	MAIN GEAR SHIM	43	1200531	43-4000SG	CROSSWIND BLOCK
15	1308048	15-CFT3000	HANDLE ASSEMBLY	43A	1191818	43A-3000SG	CROSSWIND BLOCK PLATE
15E	1316412	15E-CFT3000	HANDLE KNOB	43B	1191826	43B-3000SG	CROSSWIND BLOCK PLATE SCREW
19	1308049	19-CFT3000	PINION GEAR	44	1191843	44-3000SG	CROSSWIND BLOCK SCREW
20	1308050	20-CFT3000	BALL BEARING (2 REQUIRED)	45	1308074	45-CFT3000	HOUSING COVER
20A	1308051	20A-CFT3000	UPPER PINION BALL BEARING	46	1191901	46-3000SG	HOUSING COVER SCREW (3 REQUIRED)
20B	1211610	20D-5000BTL	BALL BEARING	46B	1191907	46B-3000SG	HOUSING COVER WASHER (3 REQUIRED)
20D	1211588	20D-3000BTL	SPOOL BALL BEARING	46T	1316411	46T-CFT2000	SCREW
21	1308052	21-CFT3000	BEARING RETAINER	47	1308076	47-CFT3000	SPOOL ASSEMBLY
21A	1192644	21A-3000SG	BEARING RETAINER SCREW (3 REQUIRED)	48	1211604	48-3000SG	CLICK TONGUE
21B	1308053	21B-CFT3000	COLLAR	48A	1214226	48A-3000SG	CLICK TONGUE WASHER
22	1208997	43B-3000PUR	BAIL PIVOT COVER SCREW	48B	1211591	48B-3000BTL	SPOOL CLICK SCREW
24	1308054	24-CFT3000	BAIL WIRE	49	1211605	49-3000SG	CLICK TONGUE SPRING
24C	1316409	24C-CFT2000	HANDLE KNOB CAP	51	1308078	51-CFT3000	RETAINING SPACER
25	1308056	25-CFT3000	BAIL HOLDER	52	1308079	52-CFT3000	DRAG KNOB
27	1308057	27-CFT3000	ROTOR CUP	56	1308080	56-CFT3000	DRAG WASHER (2 REQUIRED)
27A	1308059	27A-CFT3000	BAIL PIVOT COVER	57	1192043	57-3000SG	KEYED DRAG WASHER (2 REQUIRED)
28	1308061	28-CFT3000	TRIP LEVER	60	1192060	60-3000SG	THRUST WASHER
31	1308063	31-CFT3000	BAIL ARM SCREW (2 REQUIRED)	95B	1308081	95B-CFT3000	ROTOR LOCKING PLATE
32	1191586	32-3000SG	BAIL SPRING	98C	1308082	98C-CFT3000	CLUTCH/SLEEVE ASSEMBLY
34	1308064	34-CFT3000	BAIL ARM	98W	1204004	98W-3000PUR	CLUTCH WASHER (2 REQUIRED)
34C	1308065	34C-CFT3000	PIVOT ARM	132	1192296	132-3000SG	ROLLER WASHER
35	1308066	35-CFT3000	LINE ROLLER	132A	1192302	132A-3000SG	LINE ROLLER WASHER (2 REQUIRED)
35A	1308067	35A-CFT3000	LINE ROLLER BUSHING	226	1308083	226-CFT3000	REAR COVER
35B	1316410	35B-CFT2000	BALL BEARING (2 REQUIRED)	226A	1192473	226A-3000SG	REAR COVER SCREW
36	1191699	36-3000SG	BAIL PIVOT COVER SCREW	231	1192498	231-3000SG	CROSSWIND GEAR
38	1308068	38-CFT3000	ROTOR NUT	233	1308084	233-CFT3000	BEARING COVER
38A	1308069	38A-CFT3000	ROTOR LOCKING PLATE SCREW				
38D	1308070	38D-CFT3000	ROTOR NUT WASHER				

NOTE: Many of www.pennparts.com schematics include changes that were either made by Penn, or errors found and corrected by our parts dept.
 SBT Ver. 033014 (based on Penn's Rev. 1 - 5/13/13)