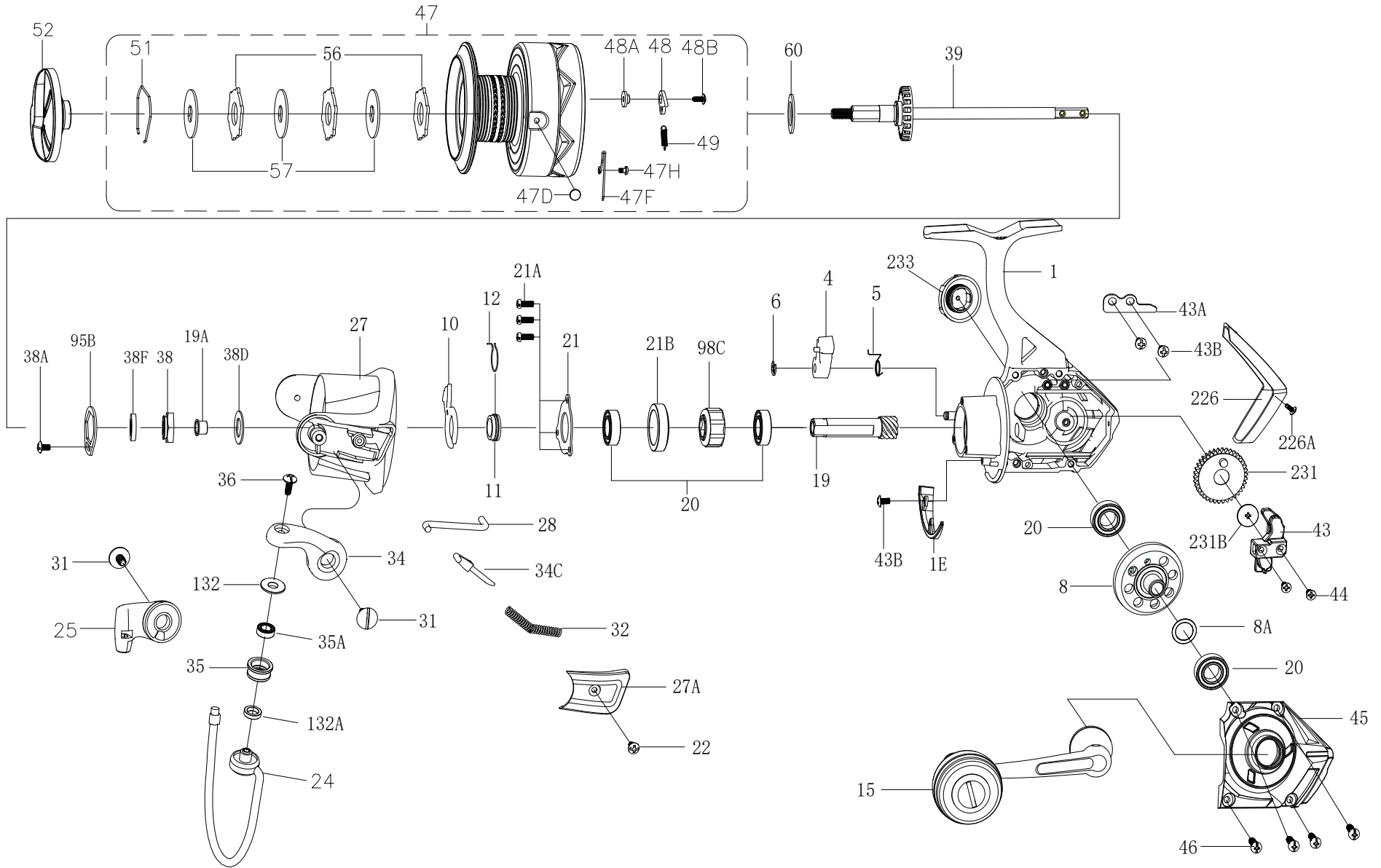




**BTLIV6000LE
EXPLODED DRAWING**





Thank you for your recent PENN gear purchase. No matter where you fish or what you fish for, you can depend PENN to perform in any battle day in and day out. Now it's time to get your product registered and get out on the water.

<https://register.pennfishing.com>

KEY NO.	PART NO.	PENN STYLE NO.	DESCRIPTION
1	1632258	1-BTLIV6000LE	Housing Assembly
1E	1529475	1E-BTLIII5000	Housing Slope
4	1190937	4-5000SG	Dog
5	1190966	5-5000SG	Dog Spring
6	1190979	6-5000SG	Retaining Clip
8	1529503	8-BTLIII6000	Main Gear
8A	1191030	8A-5000SG	Shim
10	1191066	10-5000SG	A/R Holder
11	1191085	11-5000SG	Bushing
12	1313865	12-CFT8000	A/R Bushing Spring
15	1632247	15-BTLIV5000LE	Handle Assembly
19	1529504	19-BTLIII6000	Pinion Gear
19A	1489429	19A-SSVI5500	Pinion Bushing
20	1308090	20-CFT5000	Ball Bearing (4 req)
21	1192636	21-5000SG	Bearing Retainer
21A	1192645	21A-5000SG	Retainer Screw (3 req)
21B	1529479	21B-BTLIII5000	Collar
22	1203997	43B-3000PUR	Bail Pivot Cover Screw
24	1529505	24-BTLIII6000	Bail Wire Assembly
25	1529481	25-BTLIII5000	Bail Holder
27	1632254	27-BTLIV6000	Rotor

KEY NO.	PART NO.	PENN STYLE NO.	DESCRIPTION
27A	1632255	27A-BTLIV6000	Bail Pivot Cover
28	1529508	28-BTLIII6000	Trip Lever
31	1489396	31-SSVI5500	Bail Arm Screw (2 req)
32	1308101	32-CFT5000	Bail Spring
34	1609411	34-WRTHIII6000	Bail Arm
34C	1529485	34C-BTLIII5000	Pivot Arm
35	1489400	35-SSVI5500	Line Roller
35A	1242222	35A-5000BTL	Line Roller Bearing
36	1191699	36-3000SG	Bail Stud Screw
38	1632239	38-BTLIV5000	Rotor Nut
38A	1365741	38A-FRCII5000	Screw
38D	1308104	38D-CFT5000	Rotor Nut Washer
38F	1632240	38F-BTLIV5000	Main Shaft Seal Ring
39	1529509	39-BTLIII6000	Main Shaft Assembly
43	1529488	43-BTLIII5000	Crosswind Block
43A	1529489	43A-BTLIII5000	Crosswind Block Plate
43B	1489213	43B-SSVI3500	Plate Screw (2 req)
44	1191845	44-5000SG	Block Screw (2 req)
45	1632241	45-BTLIV5000	Housing Cover
46	1191903	46-5000SG	Cover Screw (4 req)
47	1632256	47-BTLIV6000	Spool Assembly

KEY NO.	PART NO.	PENN STYLE NO.	DESCRIPTION
47D	1489408	47D-SSVI5500	Line Clip
47F	1489218	47F-SSVI3500	Line Clip Spring
47H	1529492	47H-BTLIII5000	Line Clip Spring Screw
48	1211625	48-5000SG	Click Tongue
48A	1211626	48A-5000SG	Click Tongue Washer
48B	1192658	22-2000SG	Spool Click Screw
49	1211627	49-5000SG	Click Tongue Spring
51	1308112	51-CFT5000	Drag Retaining Ring
52	1632257	52-BTLIV6000	Drag Knob Assembly
56	1308114	56-CFT5000	Drag Washer (3 req)
57	1192044	57-5000SG	Keyed Washer (3 req)
60	1489320	39A-SSVI7500	Thrust Washer
95B	1308115	95B-CFT5000	Rotor Locking Plate
98C	1308116	98C-CFT5000	Clutch/Sleeve Assembly
132	1529513	132-BTLIII6000	Roller Washer
132A	1489411	132A-SSVI5500	Line Roller Bushing
226	1632244	226-BTLIV5000	Rear Cover
226A	1529386	226A-BTLIII3000	Rear Cover Screw
231	1489444	231-SSVI6500	Crosswind Gear
231B	1489338	231B-SSVI7500	Crosswind Gear Screw
233	1632245	233-BTLIV5000	Bearing Cover Assembly