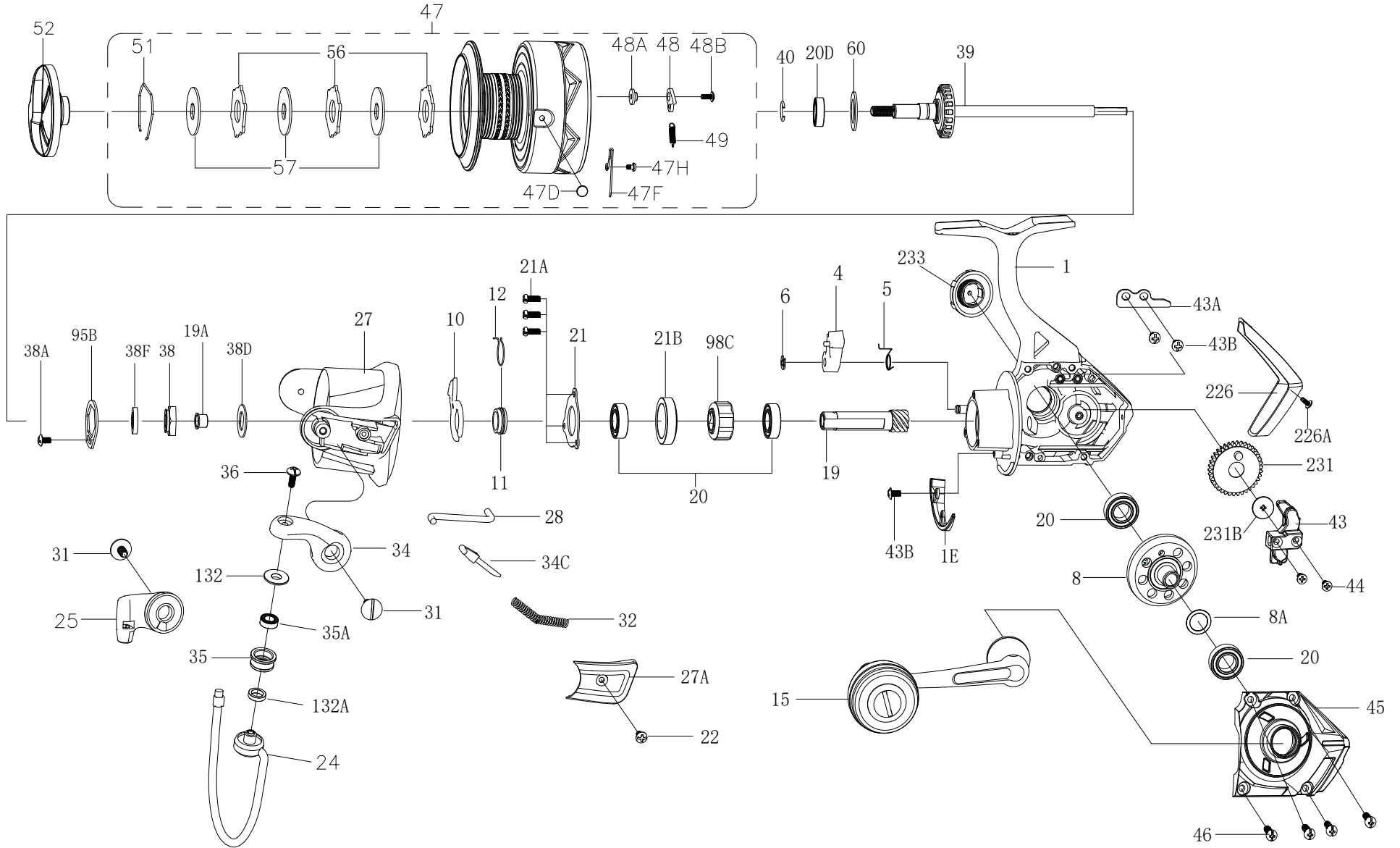




**BTLIV500DX
EXPLODED DRAWING**





Thank you for your recent PENN gear purchase. No matter where you fish or what you fish for, you can depend PENN to perform in any battle day in and day out. Now it's time to get your product registered and get out on the water.

<https://register.pennfishing.com>

KEY NO.	PART NO.	PENN STYLE NO.	DESCRIPTION	KEY NO.	PART NO.	PENN STYLE NO.	DESCRIPTION	KEY NO.	PART NO.	PENN STYLE NO.	DESCRIPTION
1	1632248	1-BTLIV5000DX	Housing Assembly	27A	1540360	27A-BTLIII5000DX	Bail Pivot Cover	47D	1489408	47D-SSVI5500	Line Clip
1E	1529475	1E-BTLIII5000	Housing Slope	28	1529508	28-BTLIII6000	Trip Lever	47F	1489218	47F-SSVI3500	Line Clip Spring
4	1190937	4-5000SG	Dog	31	1489396	31-SSVI5500	Bail Arm Screw (2 req)	47H	1529492	47H-BTLIII5000	Line Clip Spring Screw
5	1190966	5-5000SG	Dog Spring	32	1308101	32-CFT5000	Bail Spring	48	1211625	48-5000SG	Click Tongue
6	1190979	6-5000SG	Retaining Clip	34	1540361	34-BTLIII5000DX	Bail Arm	48A	1211626	48A-5000SG	Click Tongue Washer
8	1529503	8-BTLIII6000	Main Gear	34C	1529485	34C-BTLIII5000	Pivot Arm	48B	1192658	22-2000SG	Spool Click Screw
8A	1191030	8A-5000SG	Shim	35	1489400	35-SSVI5500	Line Roller	49	1211627	49-5000SG	Click Tongue Spring
10	1191066	10-5000SG	A/R Holder	35A	1242222	35A-5000BTL	Line Roller Bearing	51	1308112	51-CFT5000	Drag Retaining Ring
11	1191085	11-5000SG	Bushing	36	1191699	36-3000SG	Bail Stud Screw	52	1563385	52-BTLIII5000DX	Drag Knob Assembly
12	1313865	12-CFT8000	A/R Bushing Spring	38	1632239	38-BTLIV5000	Rotor Nut	56	1308114	56-CFT5000	Drag Washer (3 req)
15	1632249	15-BTLIV5000DX	Handle Assembly	38A	1365741	38A-FRCII5000	Screw	57	1192044	57-5000SG	Keyed Washer (3 req)
19	1529504	19-BTLIII6000	Pinion Gear	38D	1308104	38D-CFT5000	Rotor Nut Washer	60	1489320	39A-SSVI7500	Thrust Washer
19A	1489429	19A-SSVI5500	Pinion Bushing	38F	1632240	38F-BTLIV5000	Main Shaft Seal Ring	95B	1308115	95B-CFT5000	Rotor Locking Plate
20	1308090	20-CFT5000	Ball Bearing (4 req)	39	1540362	39-BTLIII5000DX	Main Shaft Assembly	98C	1308116	98C-CFT5000	Clutch/Sleeve Assembly
20D	1211610	20D-5000BTL	Ball Bearing	40	1211620	40-5000BTL	Bearing Lock Spring	132	1489410	132-SSVI5500	Roller Washer
21	1192636	21-5000SG	Bearing Retainer	43	1529488	43-BTLIII5000	Crosswind Block	132A	1489411	132A-SSVI5500	Line Roller Bushing
21A	1192645	21A-5000SG	Retainer Screw (3 req)	43A	1529489	43A-BTLIII5000	Crosswind Block Plate	226	1632252	226-BTLIV5000DX	Rear Cover
21B	1529479	21B-BTLIII5000	Collar	43B	1489213	43B-SSVI3500	Plate Screw (3 req)	226A	1529386	226A-BTLIII3000	Rear Cover Screw
22	1203997	43B-3000PUR	Bail Pivot Cover Screw	44	1191845	44-5000SG	Block Screw (2 req)	231	1489444	231-SSVI6500	Crosswind Gear
24	1529480	24-BTLIII5000	Bail Wire Assembly	45	1632250	45-BTLIV5000DX	Housing Cover	231B	1489338	231B-SSVI7500	Crosswind Gear Screw
25	1540358	25-BTLIII5000DX	Bail Holder	46	1191903	46-5000SG	Cover Screw (4 req)	233	1632245	233-BTLIV5000	Bearing Cover Assembly
27	1540359	27-BTLIII5000DX	Rotor	47	1632251	47-BTLIV5000DX	Spool Assembly				