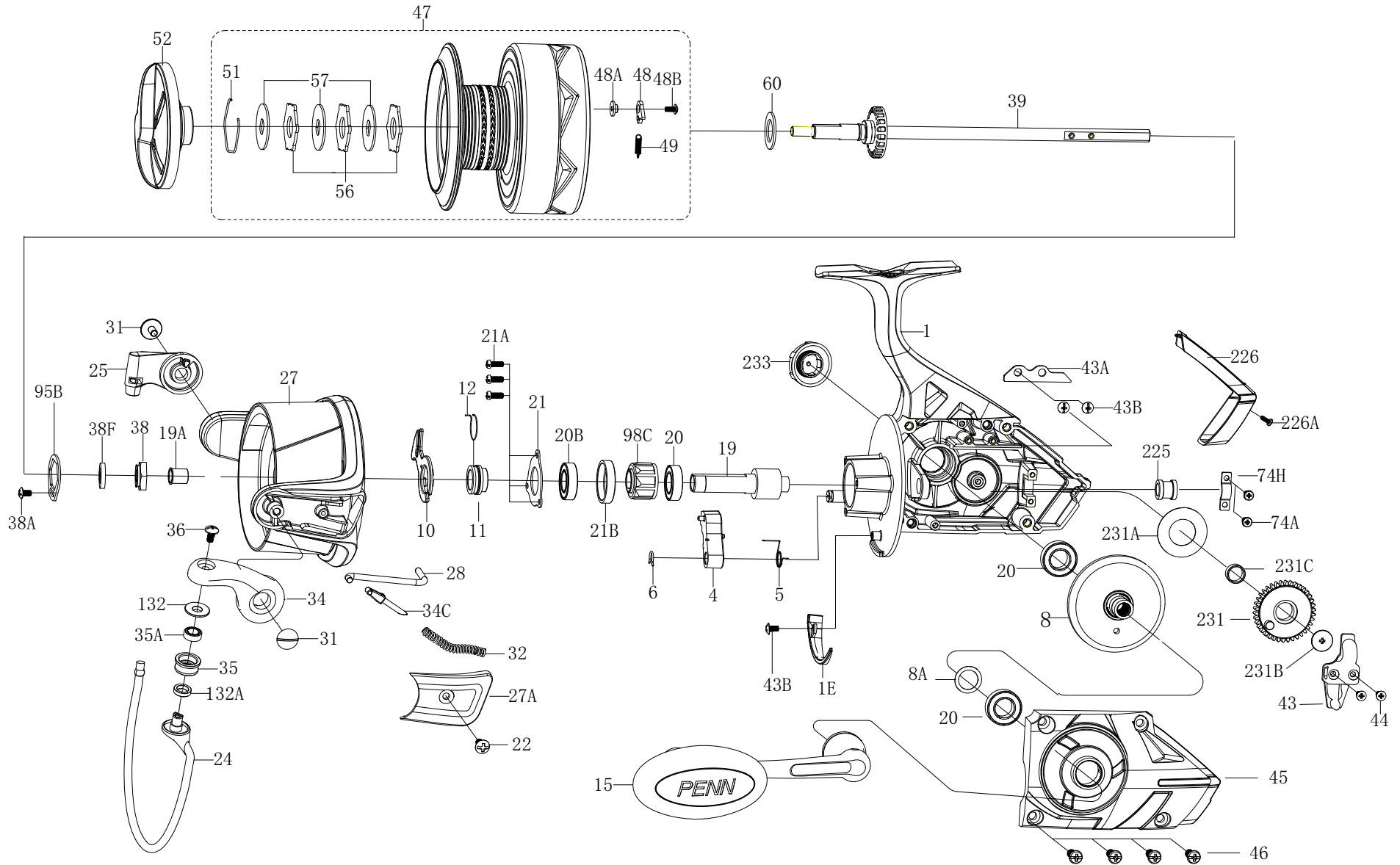




BTLIV10000
EXPLODED DRAWING





Thank you for your recent PENN gear purchase. No matter where you fish or what you fish for, you can depend PENN to perform in any battle day in and day out. Now it's time to get your product registered and get out on the water.

<https://register.pennfishing.com>

KEY NO.	PART NO.	PENN STYLE NO.	DESCRIPTION
1	1632287	1-BTLIV10000	Housing Assembly
1E	1529561	1E-BTLIII10000	Housing Slope
4	1489377	4-SSVI9500	A/R Dog
5	1489378	5-SSVI9500	Dog Spring
6	1489379	6-SSVI9500	Retaining Clip
8	1529562	8-BTLIII10000	Main Gear
8A	1216652	8A-7000FRC	Shim
10	1489381	10-SSVI9500	A/R Holder
11	1529563	11-BTLIII10000	Bushing
12	1489296	12-SSVI7500	Bushing Spring
15	1632288	15-BTLIV10000	Handle Assembly
19	1529565	19-BTLIII10000	Pinion Gear
19A	1489299	19A-SSVI7500	Pinion Bushing
20	1489300	20-SSVI7500	Ball Bearing (3 req)
20B	1192621	20B-7000SG	Ball Bearing
21	1529566	21-BTLIII10000	Bearing Retainer
21A	1192645	21A-5000SG	Retainer Screw (3 req)
21B	1529567	21B-BTLIII10000	Collar
22	1204018	22-6000PUR	Screw
24	1529568	24-BTLIII10000	Bail Wire Assembly
25	1529569	25-BTLIII10000	Bail Holder
27	1632289	27-BTLIV10000	Rotor

KEY NO.	PART NO.	PENN STYLE NO.	DESCRIPTION
27A	1632290	27A-BTLIV10000	Bail Pivot Cover
28	1529572	28-BTLIII10000	Trip Lever
31	1365740	31-FRCI5000	Bail Arm Screw (2 req)
32	1313874	32-CFT8000	Bail Spring
34	1313875	34-CFT8000	Bail Arm
34C	1191656	34C-7000SG	Pivot Arm
35	1529573	35-BTLIII10000	Line Roller
35A	1242222	35A-5000BTL	Line Roller Bearing
36	1191566	31-2000SG	Bail Stud Screw
38	1632269	38-BTLIV8000	Rotor Nut
38A	1204016	21A-5000PUR	Screw(5 req)
38F	1632270	38F-BTLIV8000	Main Shaft Seal Ring
39	1529574	39-BTLIII10000	Main Shaft Assembly
43	1489359	43-SSVI9500	Crosswind Block
43A	1489360	43A-SSVI9500	Crosswind Block Plate
43B	1489213	43B-SSVI3500	Plate Screw (5 req)
44	1489361	44-SSVI9500	Block Screw (2 req)
45	1632291	45-BTLIV10000	Housing Cover
46	1489363	46-SSVI9500	Cover Screw (4 req)
47	1632292	47-BTLIV10000	Spool Assembly
48	1211625	48-5000SG	Click Tongue
48A	1211626	48A-5000SG	Click Tongue Washer

KEY NO.	PART NO.	PENN STYLE NO.	DESCRIPTION
48B	1489327	48B-SSVI7500	Spool Click Screw
49	1211627	49-5000SG	Click Tongue Spring
51	1489328	51-SSVI7500	Drag Retaining Ring
52	1632293	52-BTLIV10000	Drag Knob Assembly
56	1308114	56-CFT5000	Drag Washer (3 req)
57	1489330	57-SSVI7500	Keyed Washer (3 req)
60	1489320	39A-SSVI7500	Thrust Washer
74A	1489316	38A-SSVI7500	Screw(2 req)
74H	1489366	74H-SSVI9500	Bushing Plate
95B	1308115	95B-CFT5000	Rotor Locking Plate
98C	1489332	98C-SSVI7500	Clutch/Sleeve Assembly
132	1529545	132-BTLIII8000	Roller Washer
132A	1489334	132A-SSVI7500	Line Roller Bushing
225	1529578	225-BTLIII10000	Shaft Bushing
226	1632294	226-BTLIV10000	Rear Cover
226A	1529386	226A-BTLIII3000	Rear Cover Screw
231	1489370	231-SSVI9500	Crosswind Gear
231A	1489371	231A-SSVI9500	Crosswind Gear Washer
231B	1489372	231B-SSVI9500	Crosswind Gear Screw
231C	1489373	231C-SSVI9500	Crosswind Gear Sleeve
233	1632245	233-BTLIV5000	Bearing Cover Assembly