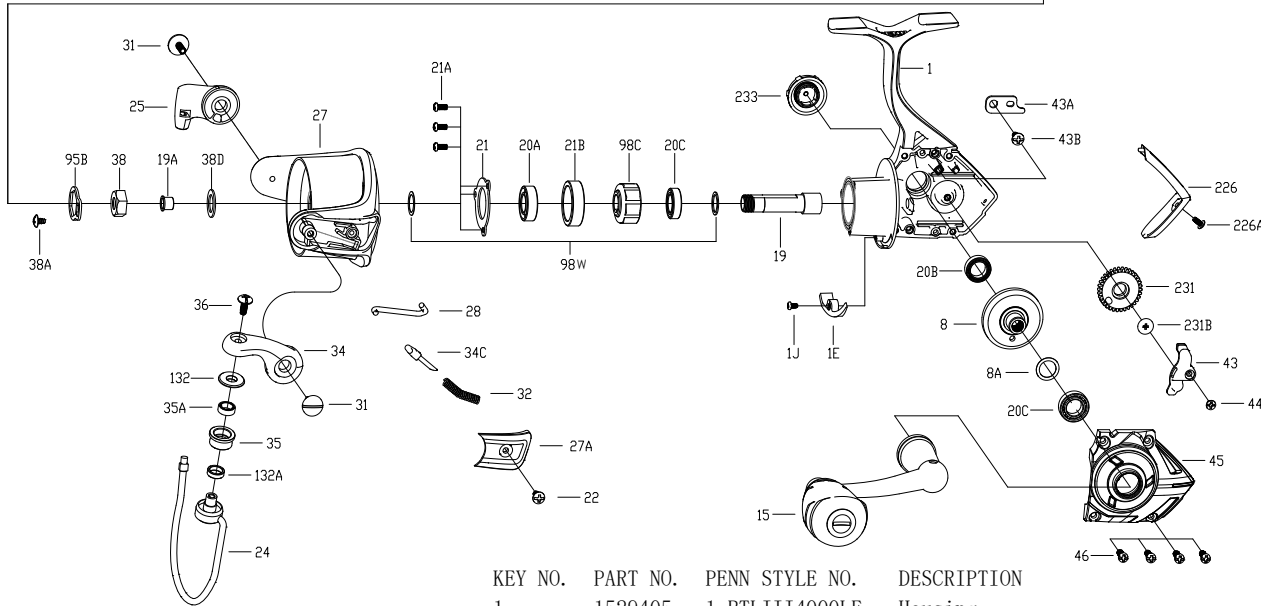
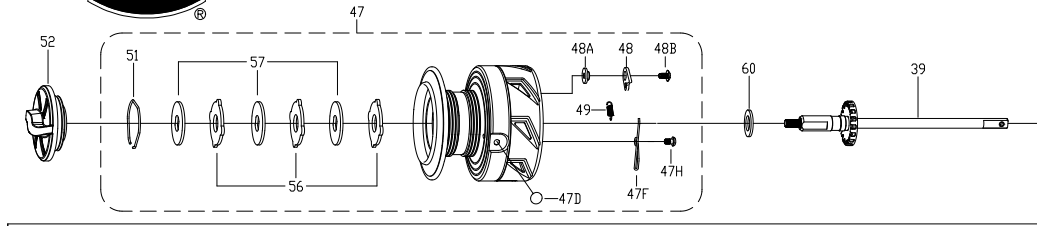




PARTS LIST FOR MODEL BTLIII4000LE



KEY NO.	PART NO.	PENN STYLE NO.	DESCRIPTION
25	1529185	25-BTLIII3000	Bail Holder
27	1529408	27-BTLIII4000LE	Rotor
27A	1529402	27A-BTLIII4000	Bail Pivot Cover
28	1529403	28-BTLIII4000	Trip Lever
31	1308063	31-CFT3000	Bail Arm Screw (2 req)
32	1191586	32-3000SG	Bail Spring
34	1308064	34-CFT3000	Bail Arm
34C	1489198	34C-SSVI3500	Pivot Arm
35	1489199	35-SSVI3500	Line Roller
35A	1489200	35A-SSVI3500	Roller Bearing
36	1191699	36-3000SG	Bail Stud Screw
38	1191728	38-3000SG	Rotor Nut
38A	1308069	38A-CFT3000	Rotor Locking Plate Screw
38D	1308070	38D-CFT3000	Rotor Nut Washer
39	1529397	39-BTLIII4000	Main Shaft Assembly
43	1485219	43-PURIII3000	Crosswind Block
43A	1191818	43A-3000SG	Crosswind Block Plate
43B	1489213	43B-SSVI3500	Crosswind Block Plate Screw
44	1191843	44-3000SG	Crosswind Block Screw
45	1529406	45-BTLIII4000LE	Housing Cover
46	1192645	21A-5000SG	Housing Cover Screw (4 req)
47	1529407	47-BTLIII4000LE	Spool Assembly
47D	1489217	47D-SSVI3500	Line Clip
47F	1489218	47F-SSVI3500	Line Clip Spring
47H	1489219	47H-SSVI3500	Line Clip Spring Screw
48	1211604	48-3000SG	Click Tongue
48A	1214226	48A-3000SG	Click Tongue Washer
48B	1489220	48B-SSVI3500	Spool Click Screw
49	1211605	49-3000SG	Click Tongue Spring
51	1308078	51-CFT3000	Drag Retaining Ring
52	1529400	52-BTLIII4000	Drag Knob Assembly
56	1308080	56-CFT3000	Drag Washer (3 req)
57	1192043	57-3000SG	Keyed Washer (3 req)
60	1529383	60-BTLIII3000	Thrust Washer
95B	1308081	95B-CFT3000	Rotor Locking Plate
98C	1308082	98C-CFT3000	Clutch/Sleeve Assembly
98W	1204004	98W-3000PUR	Clutch Washer (2 req)
132	1529384	132-BTLIII3000	Roller Washer
132A	1489225	132A-SSVI3500	Line Roller Bushing
226	1529385	226-BTLIII3000	Rear Cover
226A	1529386	226A-BTLIII3000	Rear Cover Screw
231	1485227	231-PURIII4000	Crosswind Gear
231B	1489230	231B-SSVI3500	Crosswind Gear Screw
233	1529387	233-BTLIII3000	Bearing Cover Assy

KEY NO.	PART NO.	PENN STYLE NO.	DESCRIPTION
1	1529405	1-BTLIII4000LE	Housing
1E	1489173	1E-SSVI3500	Housing Slope
1J	1489177	1J-SSVI3500	Housing Slope Screw
8	1529181	8-BTLIII3000	Main Gear
8A	1191028	8A-3000SG	Shim
15	1529391	15-BTLIII3000LE	Handle Assembly
19	1529183	19-BTLIII3000	Pinion Gear
19A	1191252	19A-3000SG	Pinion Bushing
20A	1308051	20A-CFT3000	Upper Pinion Ball Bearing
20B	1211610	20D-5000BTL	Housing Ball Bearing
20C	1308050	20-CFT3000	Ball Bearing (2 req)
21	1308052	21-CFT3000	Bearing Retainer
21A	1192644	21A-3000SG	Bearing Retainer Screw (3 req)
21B	1308053	21B-CFT3000	Collar
22	1203997	43B-3000PUR	Bail Pivot Cover Screw
24	1529396	24-BTLIII4000	Bail Wire Assembly

407-BTLIII4000LE Rev. 0 8-30-2019

1528663