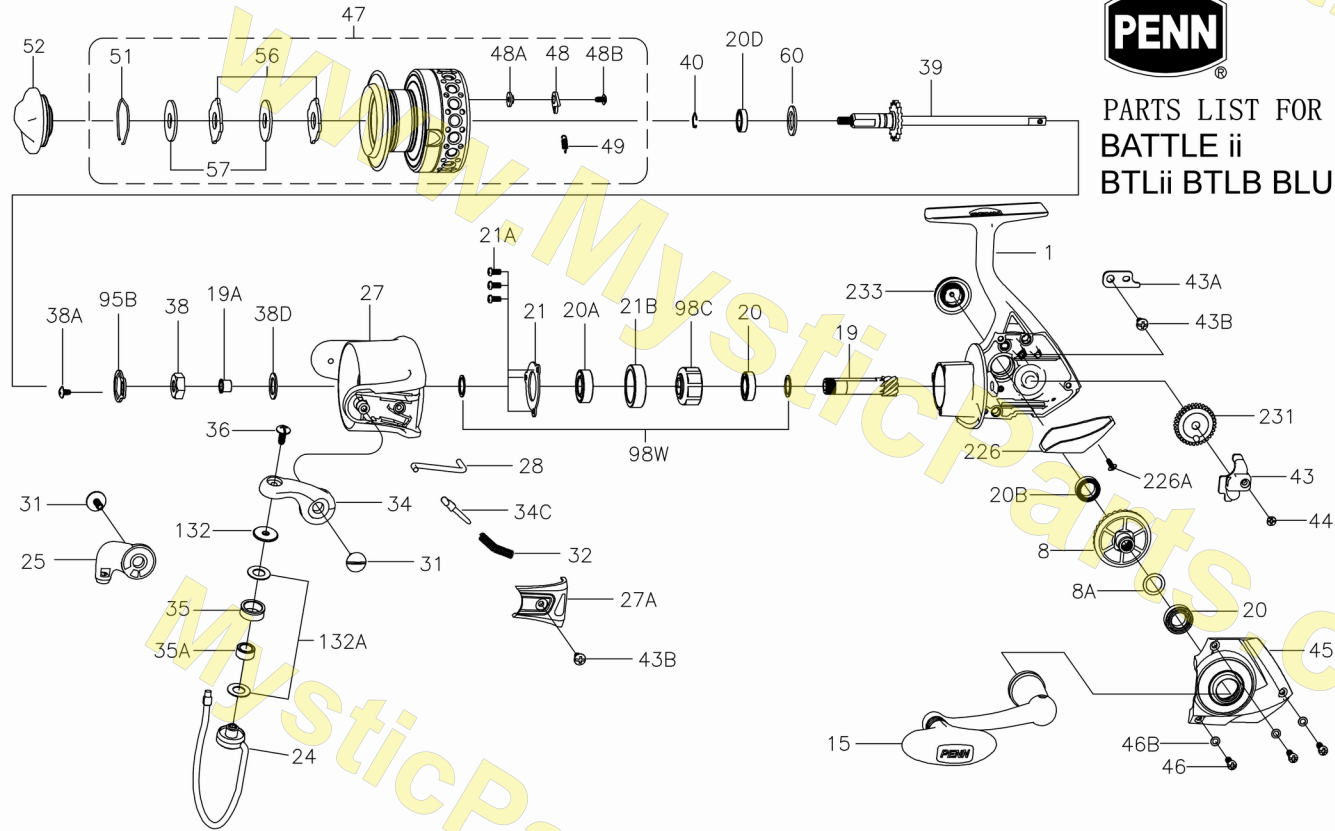




PARTS LIST FOR MODEL BTLB3000 1508073  
**BATTLE ii**  
BTLii BTLB BLUE cosmetic reel (from combos)



mysticparts.com  
**MYSTIC REEL PARTS**  
965 Radio Road  
Little Egg Harbor, NJ 08087  
+1 (609) 296-1300  
www.mysticparts.com  
customerservice@mysticparts.com

MRP Ver. 110222  
(based on Penn's Rev. 1 10-1-2020)

# Penn Reel Parts list for Model: BTLii BTLB3000 Battle ii Spinning Series (BLUE version from combos)

KEY NO.	PUREFISHING NO.	PENN PART NO.	DESCRIPTION
<b>1, 15, 47 SEE INFO BELOW</b>			
8	1308047	8-CFT3000	MAIN GEAR
8A	1191028	8A-3000SG	MAIN GEAR SHIM
19	1191231	19-3000SG	PINION GEAR
19A	1191252	19A-3000SG	PINION BUSHING (AT ROTOR)
20	1308050	20-CFT3000	BALL BEARING (2 REQUIRED)
20a	1308051	20A-CFT3000	UPPER PINION BALL BEARING
20B	1211610	20D-5000BTL	HOUSING BALL BEARING
20D	1211588	20D-3000BTL	SPOOL BALL BEARING
21	1308052	21-CFT3000	BEARING RETAINER
21A	1192644	21A-3000SG	BEARING RETAINER SCREW (3 REQUIRED)
21B	1308053	21B-CFT3000	COLLAR
24	1308054	24-CFT3000	BAIL WIRE
25	1308056	25-CFT3000	BAIL HOLDER
27	1324177	27-BTLii3000	ROTOR CUP
27A	1324178	27A-BTLii3000	BAIL PIVOT COVER
28	1308061	28-CFT3000	TRIP LEVER
31	1324169	31-BTLii4000	BAIL ARM SCREW (2 REQUIRED)
32	1191586	32-3000SG	BAIL SPRING
34	1308064	34-CFT3000	BAIL ARM
34C	1308065	34C-CFT3000	PIVOT ARM
35	1324170	35-BTLii4000	LINE ROLLER
35A	1308067	35A-CFT3000	LINE ROLLER BUSHING
36	1191699	36-3000SG	BAIL STUD SCREW
38	1191728	38-3000SG	ROTOR NUT
38A	1324171	38A-BTLii4000	ROTOR LOCKING PLATE SCREW
38D	1308070	38D-CFT3000	ROTOR NUT WASHER

KEY NO.	PUREFISHING NO.	PART NO.	DESCRIPTION
39	1308071	39-CFT3000	SPOOL SHAFT
40	1308073	40-CFT3000	BEARING LOCKING SPRING
43	1200531	43-4000SG	CROSSWIND BLOCK
43A	1191818	43A-3000SG	CROSSWIND BLOCK PLATE
43B	1191826	43B-3000SG	CROSSWIND BLOCK PLATE SCREW (2 REQUIRED)
44	1191843	44-3000SG	CROSSWIND BLOCK SCREW
45	1324179	45-BTLii3000	HOUSING COVER
46	1191901	46-3000SG	HOUSING COVER SCREW (3 REQUIRED)
46B	1191907	46B-3000SG	HOUSING COVER WASHER (3 REQUIRED)
48	1211604	48-3000SG	CLICK TONGUE
48A	1214226	48A-3000SG	CLICK TONGUE WASHER
48B	1211591	48B-3000BTL	SPOOL CLICK SCREW
49	1211605	49-3000SG	CLICK TONGUE SPRING
<b>51 RETAINING RING SEE BELOW</b>			
52	1324174	52-BTLii4000	DRAG KNOB
56	1308080	56-CFT3000	DRAG WASHER HT100 (2 REQUIRED)
57	1192043	57-3000SG	KEYED DRAG WASHER (2 REQUIRED)
60	1192060	60-3000SG	THRUST WASHER
95B	1308081	95B-CFT3000	ROTOR LOCKING PLATE
98C	1308082	98C-CFT3000	CLUTCH/SLEEVE ASSEMBLY
98W	1204004	98W-3000PUR	CLUTCH WASHER (2 REQUIRED)
132	1192296	132-3000SG	ROLLER WASHER
132A	1192302	132A-3000SG	LINE ROLLER WASHER (2 REQUIRED)
226	1308083	226-CFT3000	REAR COVER
226A	1192473	226A-3000SG	REAR COVER SCREW
<b>231 CROSSWIND GEAR SEE NOTES BELOW</b>			
233	1211608	233-3000BTL	BEARING COVER

### MYSTIC REEL PARTS REVISION!

#### NOTE:

Many of [www.mysticparts.com](http://www.mysticparts.com) schematics include changes that were either made by Penn, or errors found and corrected by our parts dept.  
MRP Ver. 110222 (based on Penn's Rev. 1 10-1-2020) (ERRORS CORRECTED)

### CORRECTIONS

KEY NO.	PUREFISHING NO.	PENN PART NO.	DESCRIPTION
231	1192498	231-CFT2000	CROSSWIND GEAR (WRONG INSIDE DIAMETER DOES NOT FIT) ** ERROR ON PENN'S SCHEMATIC
USE:	1192498	231-3000SG	CROSSWIND GEAR (THIS IS THE CORRECT GEAR TO USE)
51	1313823	51-CFT2500	DRAG RETAINING RING (error, wrong part on rev 1 schematics)
USE:	1308078	51-CFT3000	DRAG RETAINING RING (THIS IS THE CORRECT RING TO USE)

### BTLB BLUE BTLII PARTS (from combos)

1	<del>1508054</del>	1-BTLB3000	HOUSING, BLUE COSMETICS
15	1508051	15-BTLB4000	HANDLE ASSEMBLY, BLUE COSMETICS
47	1508053	47-BTLB3000	SPOOL ASSEMBLY, BLUE COSMETICS

### STANDARD BTLII PARTS (CAN SUB TO THESE)

1	1324176	1-BTLii3000	HOUSING
15	1324036	15-BTLii4000	HANDLE ASSEMBLY
47	1324180	47-BTLii3000	SPOOL ASSEMBLY

Above are the standard BTLii parts in the black/gold cosmetic

The above parts from the blue combos for BTLii if not available, if so, you can sub them to the standard BTLii parts

Crossed out 7 digit # means N/A from Penn 11/3/22