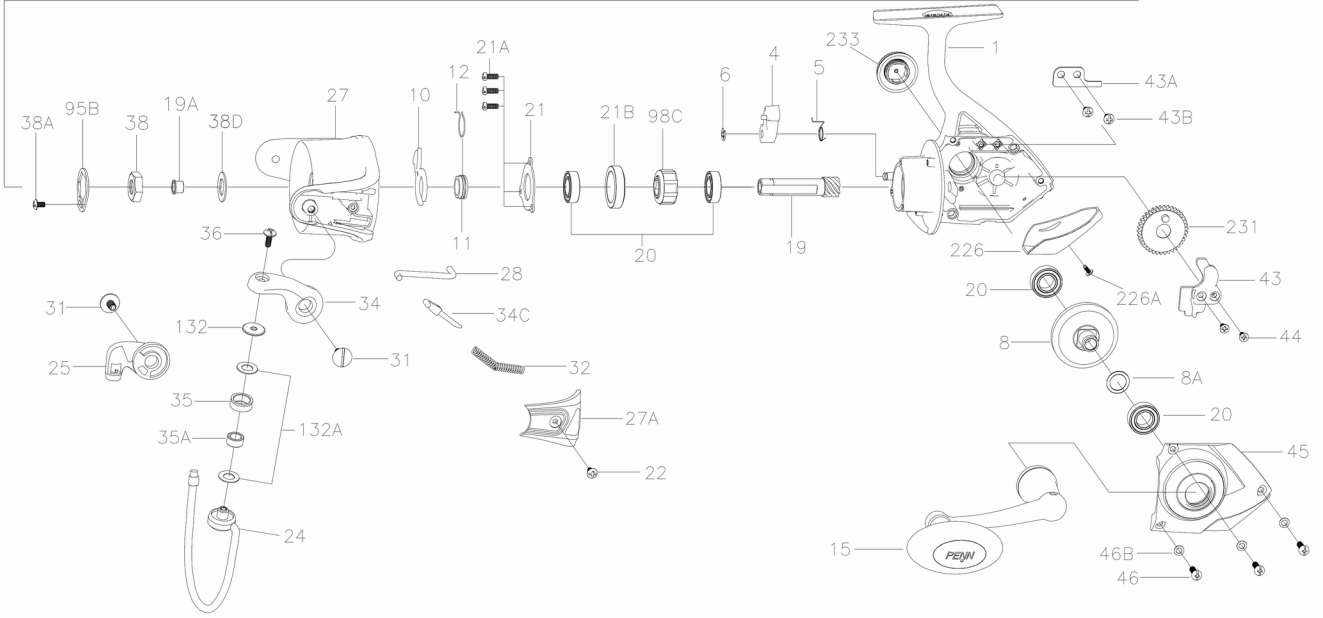


PARTS LIST FOR MODEL BTLII6000 1338221



mysticparts.com

MYSTIC REEL PARTS

965 Radio Road
 Little Egg Harbor, NJ 08087
 +1 (609) 296-1300
 www.mysticparts.com
 customerservice@mysticparts.com

MRP Ver. 031515
 (based on Penn's Rev. 1 11-7-14)

Penn Reel Parts list for Model: BTLii6000 Battle ii Spinning Series

KEY NO	PUREFISHING NO.	PENN PART NO.	DESCRIPTION	KEY NO	PUREFISHING NO.	PART NO.	DESCRIPTION
1	1324215	1-BTLii6000	HOUSING	38	1191729	38-5000SG	ROTOR NUT
4	1190937	4-5000SG	DOG	38A	1191736	38A-5000SG	ROTOR LOCKING PLATE SCREW
5	1190966	5-5000SG	DOG SPRING	38D	1308104	38D-CFT5000	ROTOR NUT WASHER
6	1190979	6-5000SG	RETAINING CLIP	39	1308106	39-CFT6000	SPOOL SHAFT
8	1191019	8-5000SG	MAIN GEAR	40	1211620	40-5000BTL	BEARING LOCKING SPRING
8A	1191030	8A-5000SG	MAIN GEAR SHIM	43	1308107	43-CFT5000	CROSSWIND BLOCK
10	1191066	10-5000SG	A/R HOLDER	43A	1191820	43A-5000SG	CROSSWIND BLOCK PLATE
11	1191085	11-5000SG	BUSHING	43B	1191827	43B-5000SG	CROSSWIND BLOCK PLATE SCREW (2 REQUIRED)
12	1313865	12-CFT8000	A/R BUSHING SPRING	44	1191845	44-5000SG	CROSSWIND BLOCK SCREW (2 REQUIRED)
15	1324208	15-BTLii5000	HANDLE ASSEMBLY	45	1324217	45-BTLii6000	HOUSING COVER
19	1364030	19-BTLii5000	PINION GEAR	46	1191903	46-5000SG	HOUSING COVER SCREW (3 REQUIRED)
19A	1191253	19A-5000SG	PINION BUSHING (AT ROTOR)	46B	1191908	46B-5000SG	HOUSING COVER WASHER (3 REQUIRED)
20	1308090	20-CFT5000	BALL BEARING (4 REQUIRED)	47	1324218	47-BTLii6000	SPOOL ASSEMBLY
20D	1211610	20D-5000BTL	SPOOL BALL BEARING	48	1211625	48-5000SG	CLICK TONGUE
21	1192636	21-5000SG	BEARING RETAINER	48A	1211626	48A-5000SG	CLICK TONGUE WASHER
21A	1192645	21A-5000SG	BEARING RETAINER SCREW (3 REQUIRED)	48B	1211612	48B-5000SG	SPOOL CLICK SCREW
21B	1324209	21B-BTLii5000	COLLAR	49	1211627	49-5000SG	CLICK TONGUE SPRING
22	1192661	22-5000SG	BAIL PIVOT COVER SCREW	51	1308112	51-CFT5000	DRAG RETAINING RING
24	1308092	24-CFT6000	BAIL WIRE	52	1324213	52-BTLii5000	DRAG KNOB
25	1308093	25-CFT5000	BAIL HOLDER	56	1308114	56-CFT5000	DRAG WASHER HT100 (3 REQUIRED)
27	1324216	27-BTLii6000	ROTOR CUP	57	1192044	57-5000SG	KEYED DRAG WASHER (3 REQUIRED)
27A	1308097	27A-CFT6000	BAIL PIVOT COVER	60	1211629	60-5000BTL	THRUST WASHER
28	1308099	28-CFT6000	TRIP LEVER	95B	1308115	95B-CFT5000	ROTOR LOCKING PLATE
31	1308100	31-CFT5000	BAIL ARM SCREW (2 REQUIRED)	98C	1308116	98C-CFT5000	CLUTCH/SLEEVE ASSEMBLY
32	1200520	32-6000SG	BAIL SPRING	132	1192297	132-5000SG	ROLLER WASHER
34	1308103	34-CFT6000	BAIL ARM	132A	1192302	132A-3000SG	LINE ROLLER WASHER (2 REQUIRED)
34C	1191652	34C-5000SG	PIVOT ARM	226	1308117	226-CFT5000	REAR COVER
35	1324170	35-BTLii4000	LINE ROLLER	226A	1192473	226A-3000SG	REAR COVER SCREW
35A	1308067	35A-CFT3000	LINE ROLLER BUSHING	231	1200523	231-6000SG	CROSSWIND GEAR
36	1191699	36-3000SG	BAIL STUD SCREW	233	1211631	233-5000BTL	BEARING COVER

MYSTIC REEL PARTS REVISION!

NOTE:

Many of www.mysticparts.com schematics include changes that were either made by Penn, or errors found and corrected by our parts dept.

MRP Ver. 031515 (based on Penn's Rev. 1 11-7-14)