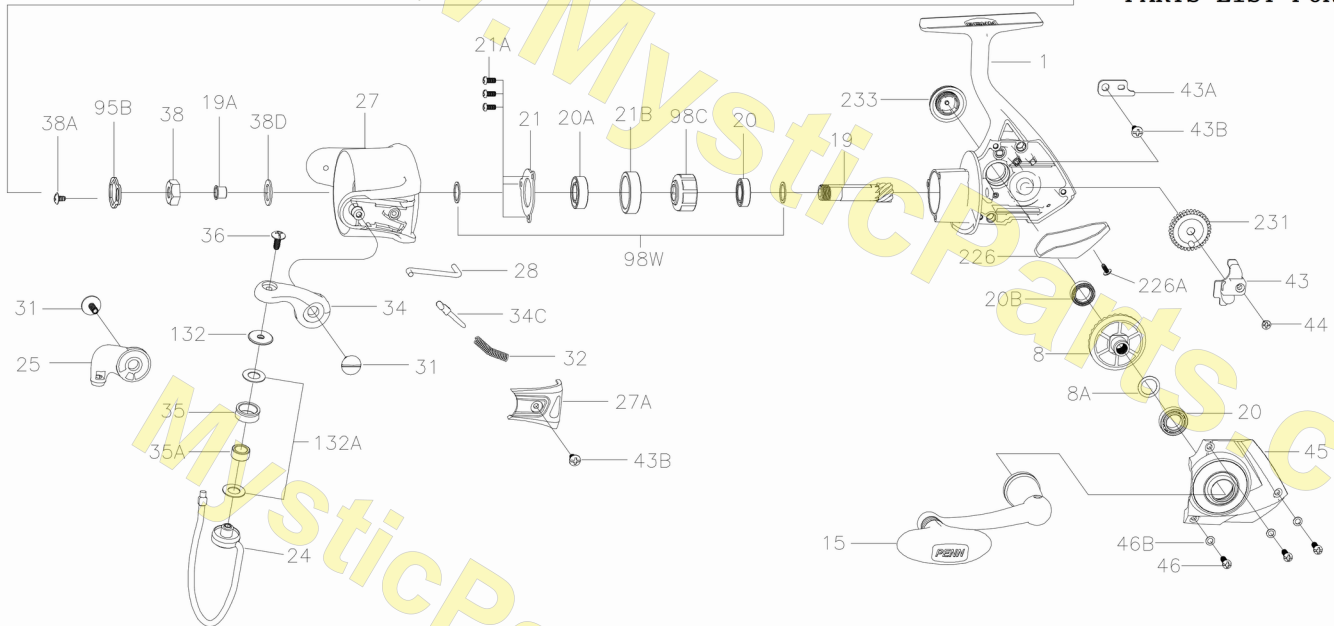


PARTS LIST FOR MODEL BTLII3000 1338218



mysticparts.com

# MYSTIC REEL PARTS

965 Radio Road  
Little Egg Harbor, NJ 08087  
+1 (609) 296-1300  
www.mysticparts.com  
customerservice@mysticparts.com

MRP Ver. 111420  
(based on Penn's Rev. 1 7-25-14)

# Penn Reel Parts list for Model: BTLii3000 Battle ii Spinning Series

KEY	PUREFISHING	PENN PART	DESCRIPTION	KEY	PUREFISHING	PART	DESCRIPTION
<u>NO</u>	<u>NO.</u>	<u>NO.</u>		<u>NO</u>	<u>NO.</u>	<u>NO.</u>	
1	1324176	1-BTLii3000	HOUSING	39	1308071	39-CFT3000	SPOOL SHAFT
8	1308047	8-CFT3000	MAIN GEAR	40	1308073	40-CFT3000	BEARING LOCKING SPRING
8A	1191028	8A-3000SG	MAIN GEAR SHIM	43	1200531	43-4000SG	CROSSWIND BLOCK
15	1324036	15-BTLii4000	HANDLE ASSEMBLY	43A	1191818	43A-3000SG	CROSSWIND BLOCK PLATE
19	1191231	19-3000SG	PINION GEAR	43B	1191826	43B-3000SG	CROSSWIND BLOCK PLATE SCREW (2 REQUIRED)
19A	1191252	19A-3000SG	PINION BUSHING (AT ROTOR)	44	1191843	44-3000SG	CROSSWIND BLOCK SCREW
20	1308050	20-CFT3000	BALL BEARING (2 REQUIRED)	45	1324179	45-BTLii3000	HOUSING COVER
20a	1308051	20A-CFT3000	UPPER PINION BALL BEARING	46	1191901	46-3000SG	HOUSING COVER SCREW (3 REQUIRED)
20B	1211610	20D-5000BTL	HOUSING BALL BEARING	46B	1191907	46B-3000SG	HOUSING COVER WASHER (3 REQUIRED)
20D	1211588	20D-3000BTL	SPOOL BALL BEARING	47	1324180	47-BTLii3000	SPOOL ASSEMBLY
21	1308052	21-CFT3000	BEARING RETAINER	48	1211604	48-3000SG	CLICK TONGUE
21A	1192644	21A-3000SG	BEARING RETAINER SCREW (3 REQUIRED)	48A	1214226	48A-3000SG	CLICK TONGUE WASHER
21B	1308053	21B-CFT3000	COLLAR	48B	1211591	48B-3000BTL	SPOOL CLICK SCREW
24	1308054	24-CFT3000	BAIL WIRE	49	1211605	49-3000SG	CLICK TONGUE SPRING
25	1308056	25-CFT3000	BAIL HOLDER	<b>51 RETAINING RING SEE BELOW</b>			
27	1324177	27-BTLii3000	ROTOR CUP	52	1324174	52-BTLii4000	DRAG KNOB
27A	1324178	27A-BTLii3000	BAIL PIVOT COVER	56	1308080	56-CFT3000	DRAG WASHER HT100 (2 REQUIRED)
28	1308061	28-CFT3000	TRIP LEVER	57	1192043	57-3000SG	KEYED DRAG WASHER (2 REQUIRED)
31	1324169	31-BTLii4000	BAIL ARM SCREW (2 REQUIRED)	60	1192060	60-3000SG	THRUST WASHER
32	1191586	32-3000SG	BAIL SPRING	95B	1308081	95B-CFT3000	ROTOR LOCKING PLATE
34	1308064	34-CFT3000	BAIL ARM	98C	1308082	98C-CFT3000	CLUTCH/SLEEVE ASSEMBLY
34C	1308065	34C-CFT3000	PIVOT ARM	98W	1204004	98W-3000PUR	CLUTCH WASHER (2 REQUIRED)
35	1324170	35-BTLii4000	LINE ROLLER	132	1192296	132-3000SG	ROLLER WASHER
35A	1308067	35A-CFT3000	LINE ROLLER BUSHING	132A	1192302	132A-3000SG	LINE ROLLER WASHER (2 REQUIRED)
36	1191699	36-3000SG	BAIL STUD SCREW	226	1308083	226-CFT3000	REAR COVER
38	1191728	38-3000SG	ROTOR NUT	226A	1192473	226A-3000SG	REAR COVER SCREW
38A	1324171	38A-BTLii4000	ROTOR LOCKING PLATE SCREW	<b>231 CROSSWIND GEAR SEE NOTES BELOW</b>			
38D	1308070	38D-CFT3000	ROTOR NUT WASHER	233	1211608	233-3000BTL	BEARING COVER

## MYSTIC REEL PARTS REVISION!

NOTE:

Many of [www.mysticparts.com](http://www.mysticparts.com) schematics include changes that were either made by Penn, or errors found and corrected by our parts dept.

MRP Ver. 111420 (based on Penn's Rev. 1 7-25-14)

## CORRECTIONS

KEY	PUREFISHING	PENN PART	DESCRIPTION
<u>NO</u>	<u>NO.</u>	<u>NO.</u>	
231	1192498	231-CFT2000	CROSSWIND GEAR (WRONG INSIDE DIAMETER DOES NOT FIT) ** ERROR ON PENN'S SCHEMATIC
USE:	1192498	231-3000SG	CROSSWIND GEAR (THIS IS THE CORRECT GEAR TO USE)
51	1313823	51-CFT2500	DRAG RETAINING RING (error, wrong part on rev 1 schematics)
USE:	1308078	51-CFT3000	DRAG RETAINING RING (THIS IS THE CORRECT RING TO USE)