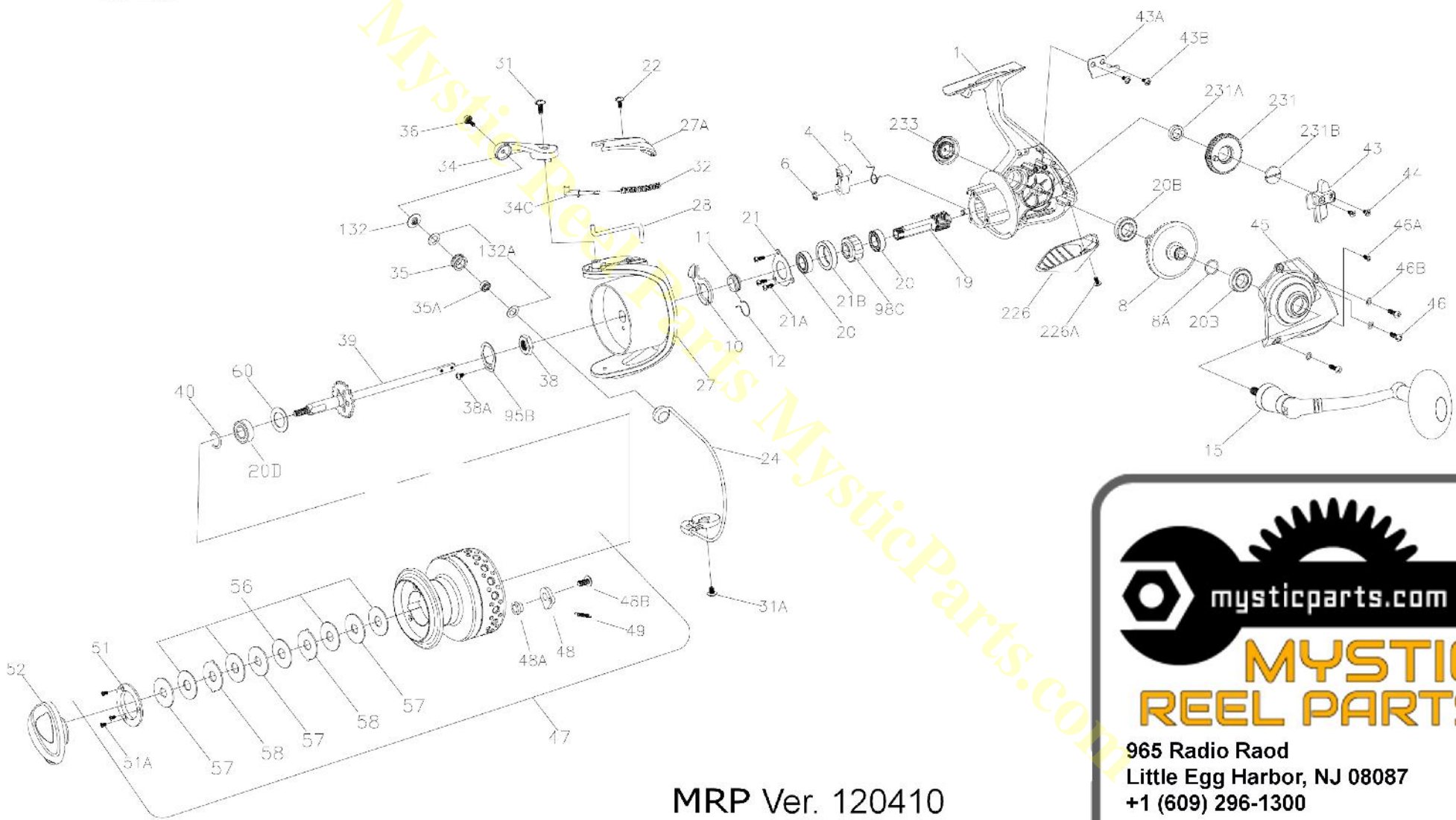




# PARTS LIST FOR MODELS BTL8000



MRP Ver. 120410  
(based on Penn's Rev.1 - 4/21/10)

mysticparts.com  
**MYSTIC REEL PARTS**  
965 Radio Raod  
Little Egg Harbor, NJ 08087  
+1 (609) 296-1300  
www.mysticparts.com  
customerservice@mysticparts.com

## Penn Reel Parts list for:

KEY NO	PureFishing Part No.	Penn Part NO.	DESCRIPTION
1	1211650	1-8000BTL	HOUSING
4	1190939	4-7000SG	A/R DOG
5	1190966	5-5000SG	A/R DOG SPRING
6	1190979	6-5000SG	RETAINING CLIP
8	1191021	8-7000SG	MAIN GEAR ASSEMBLY
8A	1211632	8A-7000BTL	MAIN GEAR SHIM
10	1191068	10-7000SG	A/R HOLDER
11	1191087	11-7000SG	BUSHING
12	1191090	12-5000SG	A/R BUSHING SPRING
15	1211633	15-7000BTL	HANDLE ASSEMBLY
19	1191244	19-7000SG	PINION GEAR
20	1192613	20-5000SG	PINION BALL BEARING (2 REQUIRED)
20B	1192621	20B-7000SG	HOUSING BALL BEARING
20D	1211610	20D-5000BTL	HOUSING BALL BEARING
21	1192636	21-5000SG	BEARING RETAINER
21A	1192645	21A-5000SG	BEARING RETAINER SCREW (3 REQUIRED)
21B	1192650	21B-5000SG	COLLAR
22	1192662	22-7000SG	BAIL ARM COVER SCREW
27	1211637	27-8000BTL	ROTOR CUP
27A	1191454	27A-7000SG	BAIL PIVOT COVER
28	1191494	28-8000SG	TRIP LEVER
31	1191569	31-5000SG	BAIL ARM SCREW
31A	1191575	31A-5000SG	BAIL CAM SCREW
32	1200520	32-6000SG	BAIL SPRING
34	1191634	34-7000SG	BAIL ARM
34C	1191656	34C-7000SG	PIVOT ARM
36	1191704	36-7000SG	BAIL STUD SCREW
38	1191731	38-7000SG	ROTOR NUT
38A	1191736	38A-5000SG	ROTOR LOCKING PLATE SCREW
39	1211639	39-8000BTL	SPOOL SHAFT
40	1211620	40-5000BTL	BEARING LOCK SPRING

## Model: BTL8000 Battle Spinning Series

KEY NO	PureFishing Part No.	Penn Part NO.	DESCRIPTION
43	1191809	43-7000SG	CROSSWIND BLOCK
43A	1191821	43A-7000SG	CROSSWIND BLOCK PLATE
43B	1191826	43B-3000SG	CROSSWIND BLOCK PLATE SCREW
44	1191845	44-5000SG	CROSSWIND BLOCK SCREW
45	1211640	45-7000BTL	HOUSING COVER
46	1191903	46-5000SG	HOUSING COVER SCREW (3 REQUIRED)
46A	1191906	46A-3000SG	HOUSING COVER SCREW A
46B	1191908	46B-5000SG	HOUSING COVER WASHER (3 REQUIRED)
47	1211643	47-8000BTL	SPOOL ASSEMBLY
48	1211625	48-5000SG	CLICK TONGUE
48A	1211626	48A-5000SG	CLICK TONGUE WASHER
48B	1211612	48B-5000SG	SPOOL CLICK SCREW
49	1211627	49-5000SG	CLICK TONGUE SPRING
51	1204093	51-7000PUR	RETAINING SPACER
51A	1191986	51A-3000SG	RETAINING SCREW (3 REQUIRED)
52	1211644	52-7000BTL	DRAG KNOB
56	1211645	56-7000BTL	DRAG WASHER HT100 (5 REQUIRED)
57	1211646	57-7000BTL	KEYED DRAG WASHER (3 REQUIRED)
58	1192055	58-7000SG	EARRED DRAG WASHER (2 REQUIRED)
60	1211629	60-5000BTL	THRUST WASHER
95B	1192186	95B-5000SG	ROTOR LOCKING PLATE
98C	1192215	98C-5000SG	CLUTCH/SLEEVE ASSEMBLY
132	1192298	132-7000SG	ROLLER WASHER
132A	1192302	132A-3000SG	LINE ROLLER WASHER
226	1192463	226-7000SG	REAR COVER
226A	1192474	226A-7000SG	REAR COVER SCREW
231	1192507	231-7000SG	CROSSWIND GEAR
231A	1192511	231A-7000SG	CROSSWIND GEAR BUSHING
231B	1192514	231B-7000SG	CROSSWIND GEAR SCREW
233	1211631	233-5000BTL	BEARING COVER

### MYSTIC REEL PARTS REVISION!

#### NOTE:

Many of [www.mysticparts.com](http://www.mysticparts.com) schematics include changes that were either made by Penn, or errors found and corrected by our parts dept.

MRP Ver. 012613 (based on Penn's 407-5000BTL Rev. 2 - 05-23-11)

#### DESIGN CHANGE:

Early BTL Parts				Later BTL Parts			
24	1211635	24-8000BTL	BAIL WIRE	24	1242220	24N-8000BTL	BAIL WIRE
35	1203991	35-3000PUR	LINE ROLLER	35	1242221	35-5000BTL	LINE ROLLER
35A	1191683	35A-3000SG	LINE ROLLER BEARING (O.D. 5/16")	35A	1242222	35A-5000BTL	LINE ROLLER BEARING (O.D. 6/16")