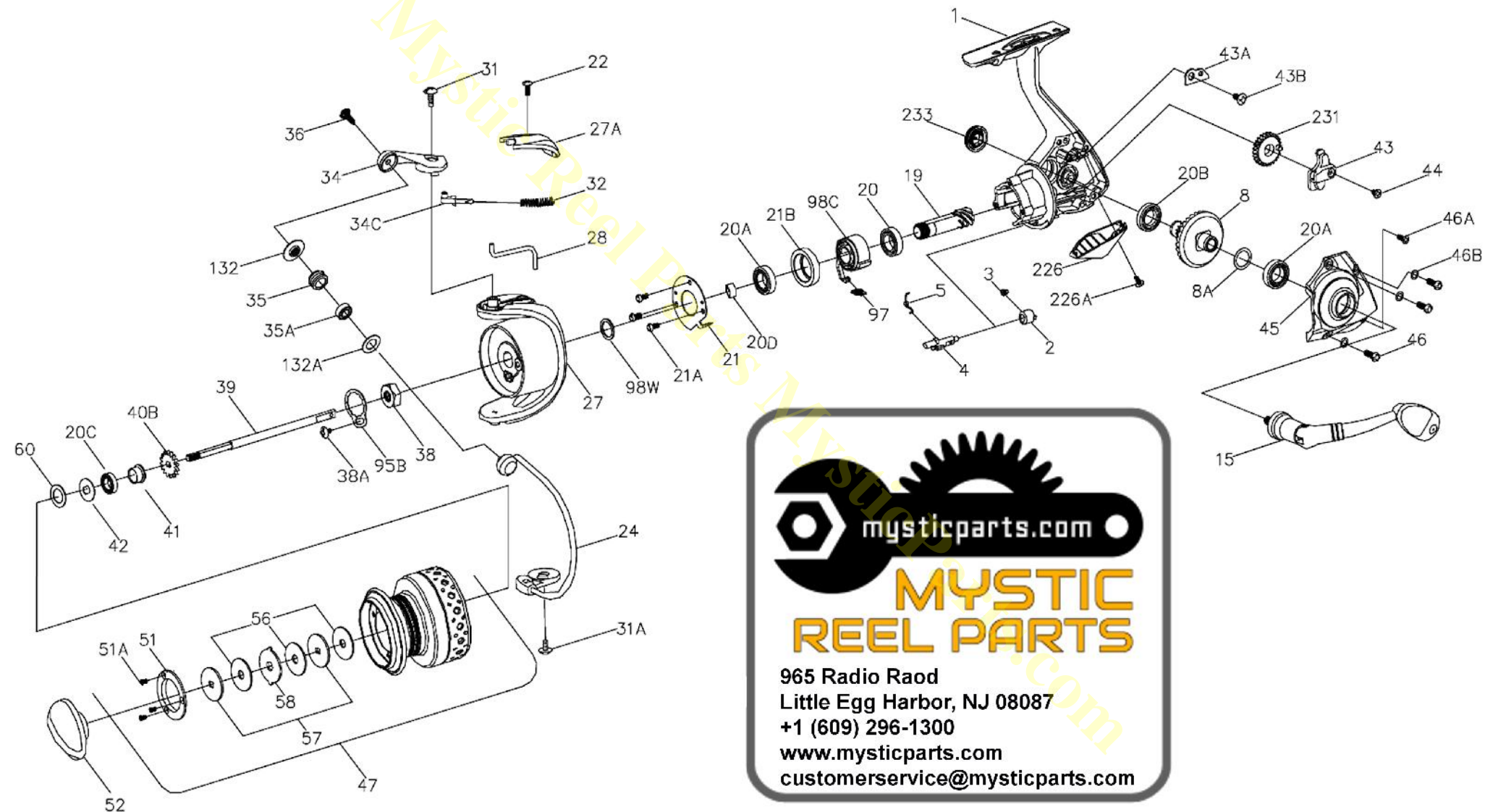




PARTS LIST FOR MODEL BTL1000
REEL PART NO.1238652



mysticparts.com
**MYSTIC
REEL PARTS**

965 Radio Raod
Little Egg Harbor, NJ 08087
+1 (609) 296-1300
www.mysticparts.com
customerservice@mysticparts.com

MRP Ver. 102011

(based on Penn's 407-1000FRC Rev. 1 - 3/30/11)

Penn Reel Parts list for:

KEY NO	PUREFISHING NO.	PENN PART NO.	DESCRIPTION
1	1249048	1-1000BTL	HOUSING
2	1190889	2-2000SG	A/R LEVER
3	1190922	3-2000SG	A/R LEVER SCREW
4	1190935	4-2000SG	A/R SHAFT
5	1190960	5-2000SG	A/R SPRING
8	1207688	8-1000SG	MAIN GEAR ASSEMBLY
8A	1191028	8A-3000SG	MAIN GEAR SHIM
15	1249049	15-1000BTL	HANDLE ASSEMBLY
19	1207720	19-1000SG	PINION GEAR
20	1207721	20-1000SG	LOWER PINION BALL BEARING
20A	1192616	20A-2000SG	BALL BEARING (PINION & MAIN) (2 REQ.)
20B	1203974	20B-3000SG	HOUSING BALL BEARING
20C	1211567	20D-2000BTL	SPOOL BEARING
20D	1251742	20D-1000SG	BEARING SLEEVE
21	1192629	21-2000SG	BEARING RETAINER
21A	1207723	21A-1000SG	BEARING RETAINER SCREW (3 REQUIRED)
21B	1192646	21B-2000SG	COLLAR
22	1192658	22-2000SG	BAIL ARM COVER SCREW
24	1249036	24-1000BTL	BAIL WIRE
27	1249037	27-1000BTL	ROTOR CUP
27A	1207726	27A-1000SG	BAIL PIVOT COVER
28	1249038	28-1000SG	TRIP LEVER
31	1191566	31-2000SG	BAIL ARM SCREW
31A	1191574	31A-3000SG	BAIL CAM SCREW
32	1249039	32-1000BTL	BAIL SPRING
34	1191625	34-2000SG	BAIL ARM
34C	1249040	34C-1000SG	PIVOT ARM
35	1211572	35-3000BTL	LINE ROLLER
35A	1191682	35A-2000SG	LINE ROLLER BEARING
36	1251748	36-1000FRC	BAIL PIVOT COVER SCREW
38	1207727	38-1000SG	ROTOR NUT

Model: BTL1000 Battle Spinning Series

KEY NO	PUREFISHING NO.	PART NO.	DESCRIPTION
38A	1191734	38A-3000SG	ROTOR LOCKING PLATE SCREW
39	1249041	39-1000SG	SPOOL SHAFT
40B	1191778	40B-2000SG	CLICK RATCHET
41	1211573	41-2000BTL	SPOOL BUSHING
42	1249042	42-1000BTL	SPOOL SHAFT WASHER
43	1207729	43-1000SG	CROSSWIND BLOCK
43A	1207730	43A-1000SG	CROSSWIND BLOCK PLATE
43B	1191826	43B-3000SG	CROSSWIND BLOCK PLATE SCREW
44	1191843	44-3000SG	CROSSWIND BLOCK SCREW
45	1249043	45-1000BTL	HOUSING COVER
46	1251750	46-1000FRC	HOUSING COVER SCREW (3 REQUIRED)
46A	1191906	46A-3000SG	HOUSING COVER SCREW A
46B	1191907	46B-3000SG	HOUSING COVER WASHER (3 REQUIRED)
47	1249044	47-1000BTL	SPOOL ASSEMBLY
51	1211578	51-2000BTL	RETAINING SPACER
51A	1191986	51A-3000SG	RETAINING SCREW (3 REQUIRED)
52	1249045	52-1000BTL	DRAG KNOB
56	1211580	56-2000BTL	DRAG WASHER FELT (3 REQUIRED)
57	1251753	57-1000FRC	KEYED DRAG WASHER (2 REQUIRED)
58	1192049	58-2000SG	EARRED DRAG WASHER
60	1211581	60-2000BTL	THRUST WASHER
95B	1192185	95B-3000SG	ROTOR LOCKING PLATE
97	1249046	97-1000SG	CLUTCH SPRING
98C	1249047	98C-1000BTL	CLUTCH/SLEEVE ASSEMBLY
98W	1251754	98W-1000FRC	CLUTCH WASHER
132	1192295	132-2000SG	ROLLER WASHER
132A	1192301	132A-2000SG	LINE ROLLER WASHER
226	1207736	226-1000SG	REAR COVER
226A	1192473	226A-3000SG	REAR COVER SCREW
231	1207737	231-1000SG	CROSSWIND GEAR
233	1211584	233-2000BTL	BEARING COVER

MYSTIC REEL PARTS REVISION!

NOTE:

Many of www.mysticparts.com schematics include changes that were either made by Penn, or errors found and corrected by our parts dept.

MRP Ver. 102011 (based on Penn's 407-1000FRC Rev. 1 - 3/30/11)