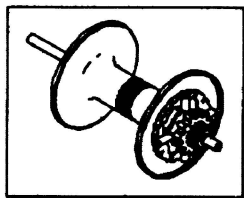


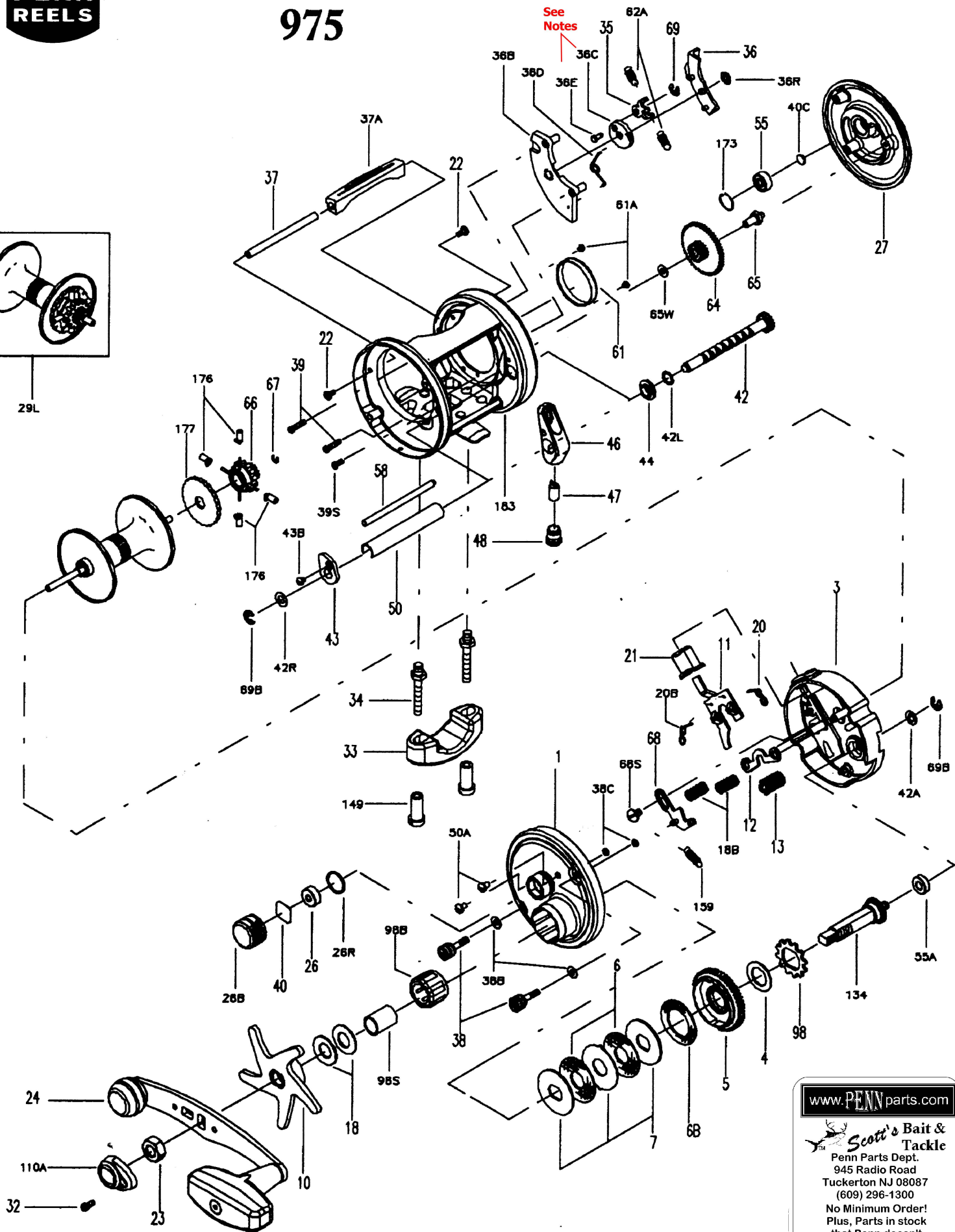


Penn Schematic 975

See
Notes



29L



www.PENNparts.com
Scott's Bait & Tackle
Penn Parts Dept.
945 Radio Road
Tuckerton NJ 08087
(609) 296-1300
No Minimum Order!
Plus, Parts in stock
that Penn doesn't
carry anymore.

Penn Reel Parts list for:

Model: 975

KEY NO	PART NO.	DESCRIPTION	KEY NO	PART NO.	DESCRIPTION
1	1-975	RIGHT SIDE PLATE	42	42-975	WORM SHAFT
3	3-975	INNER R.S. PLATE	42A	42R-965	METAL WASHER
5	5-975	MAIN GEAR	42L	42L-965	L.S. WORM SHAFT WASHER
6	6-309	DRAG WASHER HT-100 (2 REQ.)	42R	42R-965	R.S. WORM SHAFT WASHER
6B	6B-965	DRAG WASHER HT-100	43	43-965	R.S. WORM SHAFT BUSHING
10	10-975	STAR DRAG	43B	43B-965	WORM BUSHING SCREW
12	12-965	YOKE	44	44-975	L.S. WORM SHAFT BUSHING
13	13-975	PINION	46	46-975	LINE GUIDE
18B	18B-965	YOKE SPRING (2 REQ.)	47	47-975	PAWL
20	20-965	R.S. JACK SPRING	48	48-965	PAWL COVER SCREW
20B	20B-965	L.S. JACK SPRING	50	50-975	WORM SHIELD
21	21-975	CLUTCH RELEASE BUTTON	50A	50-716	R.S. PLATE SCREW (2 REQ.)
22	50-716	POST SCREW (2 REQ.)	55	55-113H	BALL BEARING
23	23-555	HANDLE NUT	55A	55A-965	GEAR STUD BUSHING
24	24-975	HANDLE ASSEMBLY	58	58-975	LINE GUIDE POST
26	26-965	SPOOL BUSHING	61	61-965	BRAKE DRUM
26B	26B-965	SPOOL TENSION CAP	61A	43B-965	BRAKE DRUM SCREW (2 REQ.)
26R	26R-965	TENSION CAP 'O' RING	62A	62A-965	CLICK SPRING (2 REQ.)
27	27-975	L.S. PLATE	64	64-975	IDLER GEAR
29L	29L-975	SPOOL ASSEMBLY	65	65-965	IDLER GEAR PIN
32	32-15	HANDLE CAP SCREW	65W	65W-965	IDLER GEAR WASHER
33	33-113	ROD CLAMP	66	66M-965	SPOOL GEAR CLICK RATCHET
34	34-975	ROD CLAMP SCREW (2 REQ.)	67	67-16S	LOCK RING
35	35-965	CLICK TONGUE	68	68-965	SHIFT ARM
36	36-975	CLICK BUTTON	68S	68S-965	SHIFT ARM SCREW
36B	36B-975	CLICK HOUSING	69	69-600	RETAINING RING
36D	36D-965	CLICK WHEEL SPRING	69B	69B-600	RETAINING RING (2 EQ.)
36R	36R-965	RETAINING RING	98	98-965	TRIP RATCHET
37	37-975	THUMB BAR POST	98B	98B-525	ROLLER BEARING
37A	37A-975	THUMB BAR	98S	98S-525	BEARING CLUTCH SHAFT
38	38N-965	TAKE-APART SCREW (2 REQ.)	110A	110A-555	HANDLE NUT CAP
38B	38BN-965	SIDE PLATE WASHER	134	134-975	GEAR STUD
38C	38CN-965	SCREW 'O' RING	149	149-45	ROD CLAMP NUT (2 REQ.)
39	39-965	L.S. PLATE SCREW (2REQ.)	159	159-965	SHIFT ARM SPRING
39S	39S-965	L.S. PLATE SHORT SCREW	173	173-965	LEFT SIDE BEARING RETAINER
40	40C-965	METAL THRUST WASHER	176	176-965	ANTI-BACKLASH BRAKES (4 REQ.)
40C	40C-310	METAL THRUST WASHER	177	177-965	BRAKE SELECTION KNOB
			183	183-975	FRAME ASSEMBLY

NOTE: Many of www.pennparts.com schematics include changes that were either made by Penn, or errors found and corrected by our parts dept.

SBT Ver. 080313 (based on Penn's Rev. 6)

KEY NO	PART NO. (orig)	PART NO. (Newer #s (Revised))	
4	4-60	4-155	FIBER WASHER
7	7C-500	7C-975	METAL DRAG WASHER (SET OF 3)
11	11-965	11-975	ECCENTRIC JACK (slightly longer tang on the newer number)
18	18-30	18-975	DISC CLUTCH SPRING (2 REQ.) (newer number is thicker)

NOTE: 7C-975 has never been made available and all of the reels that we have looked at have 7C-500 in them

ORIGINAL:

Early Run: Design change to click wheel sometime between Rev. 0 and Rev. 3

36C	36C-965	CLICK WHEEL w/2 plastic pins (2nd Pin tended to sheer off, Replaced by 36E)	36C	36C-965	CLICK WHEEL w/1 plastic pin
			36E	36E-965	CLICK TONGUE PIN