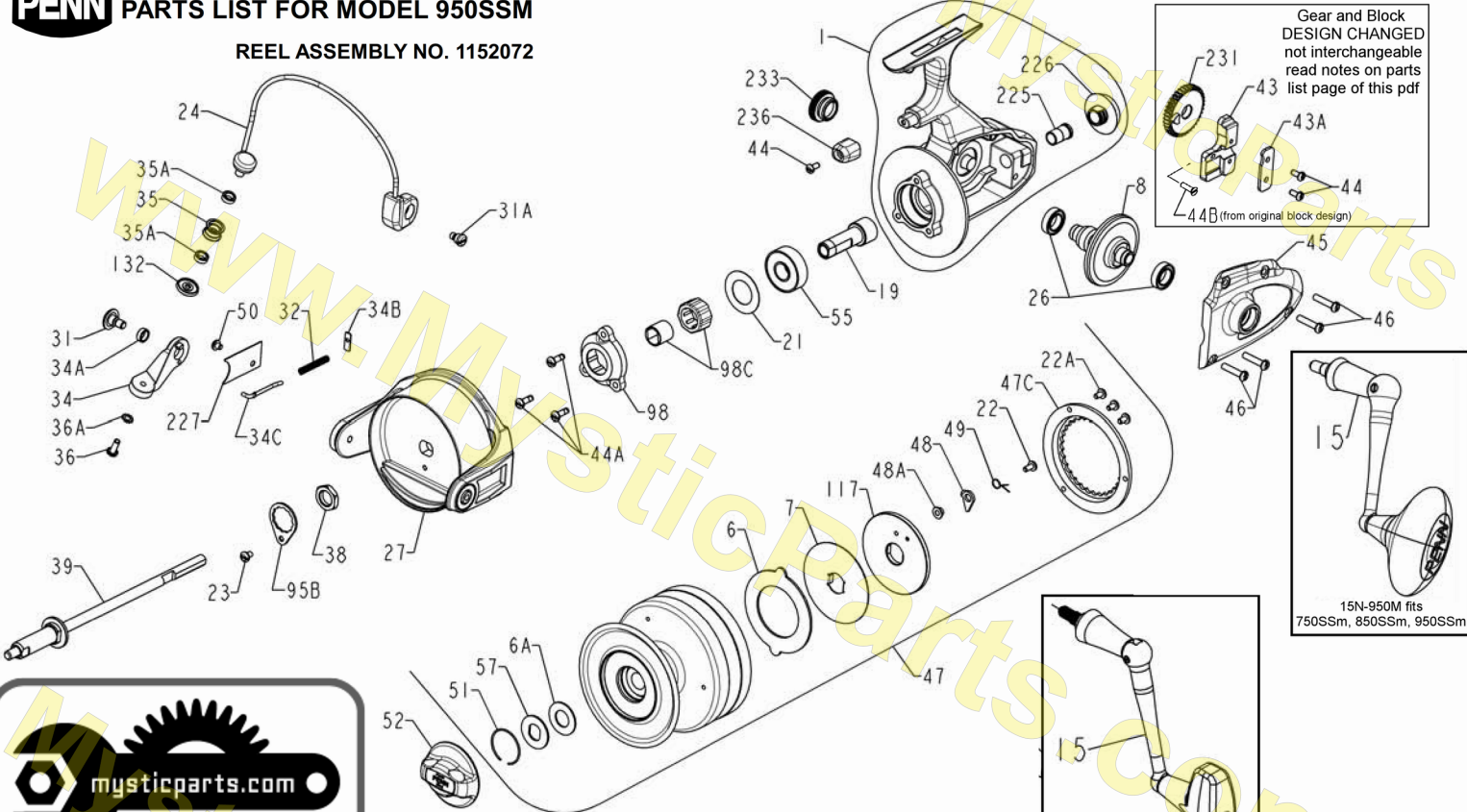


PENN PARTS LIST FOR MODEL 950SSM

REEL ASSEMBLY NO. 1152072



Gear and Block
DESIGN CHANGED
not interchangeable
read notes on parts
list page of this pdf

15N-950M fits
750SSm, 850SSm, 950SSm

15N-750M fits
750SSm, 850SSm, 950SSm

mysticparts.com

MYSTIC REEL PARTS

965 Radio Road
Little Egg Harbor, NJ 08087
+1 (609) 296-1300
www.mysticparts.com
customerservice@mysticparts.com

Penn Reel Parts list for Model: 950SSm Metal Series

KEY	PUREFISHING	PART	DESCRIPTION	KEY	PUREFISHING	PART	DESCRIPTION
NO	7 DIGIT #	NO.		NO	7 DIGIT #	NO.	
1	1190851	1-950M	HOUSING	44	1183462	44-750	TRIP BUMPER SCREW
6	1190981	6-950M	DRAG WASHER HT-100	44A	1183459	44-710	CLUTCH HOUSING SCREW (3 REQUIRED)
6A	1180906	6-60	DRAG WASHER HT-100	45	1191885	45-950M	HOUSING COVER
7	1191007	7-950M	METAL DRAG WASHER	46	1183581	46-9500	HOUSING COVER SCREW (4 REQUIRED)
8	1181137	8N-9500	MAIN GEAR	47	1191951	47-950M	SPOOL (COMPLETE)
8A	N/A	8A-950M	SHIM, MAIN GEAR ****	47C	1183689	47C-9500	DRAG COVER
15 See HANDLE DESIGN info below							
19	1181722	19-950M	PINION	48	1183718	48-9500	CLICK TONGUE
21	1192639	21-750M	BEARING COVER	48A	1183724	48A-9500	CLICK TONGUE WASHER
22	1181926	22-9500	SPOOL CLICK SCREW	49	1183743	49-9500	CLICK TONGUE SPRING
22A	1181929	22A-9500	DRAG COVER SCREW (3 REQUIRED)	50	1183766	50-712	BAIL SPRING COVER SCREW
23	1181953	23-750	LOCKING PLATE SCREW	51	1183795	51-704	RETAINING RING
24	1182079	24-950M	BAIL WIRE	52	1183837	52N-750N	DRAG KNOB
26	1182133	26A-2.5FR	BALL BEARING (2 REQUIRED)	55	1183876	55-50	BALL BEARING
27	1182290	27-950M	ROTOR	57	1183937	57-704	DRAG WASHER (KEYED)
31	1182679	31-750M	BAIL ARM SCREW	95B	1192187	95B-950M	ROTOR LOCKING PLATE
31A	1182689	31A-550G	BAIL CAM SCREW	98	1192202	98-750M	CLUTCH HOUSING
32	1182741	32-950M	BAIL ARM SPRING	98C SEE Clutch Bearing info below			
34	1182838	34-950M	BAIL ARM	117	1192255	117-950M	DRIVE PLATE
34A	1182847	34A-750	BAIL ARM BUSHING	132	1184601	132-950M	ROLLER WASHER
34B	1182848	34B-750M	PIVOT PLATE	225	1185008	225-9500	SPOOL SHAFT BUSHING
34C	1191659	34C-950M	PIVOT ARM	226	1192469	226-950M	REAR CAP
35	1182949	35-950M	LINE ROLLER	227	1192491	227-950M	BAIL SPRING COVER
35A	1182951	35A-950M	BALL BEARING (2 REQUIRED)	233	1185145	233-550G	BEARING COVER (CLOSED)
36	1183016	36-750	BAIL STUD SCREW	236	1192531	236-750M	TRIP BUMPER
36A	1183032	36A-750	LOCK WASHER	**	NLA	237-950SSm	Decal, Housing ("Penn 950SSm")
38	1183160	38-9500	ROTOR NUT	**	NLA	238-950SSm	Decal, Housing (Reel Speed)
39	1183241	39-950M	SPOOL SHAFT	**	NLA	240-950SSm	Decal, Spool (Line Capacity)

43, 44C, 43A, 231 SEE Crosswind Block & Gear design change below

** not shown on schematic

KEY PUREFISHING PART
NO 7 DIGIT # NO. DESCRIPTION

KEY PUREFISHING PART
NO 7 DIGIT # NO. DESCRIPTION

Crosswind Block AND Gear Design Change ** MUST READ ABOUT NEWER DESIGN!! ******

ORIGINAL DESIGN SINGLE SCREW

43	1183413	43-950M	CROSSWIND BLOCK ORIGINAL
44B	NLA	44-950M	SCREW FOR CW BLOCK / shaft
43A	NLA	43A-750	CROSSWIND BLOCK PLATE ORIGINAL
231	NLA	231-9500	CROSSWIND GEAR (BRASS)

This design screws a single screw through the block into the shaft. It puts too much pressure on the shaft.

NEWER DESIGN DUAL SCREW, DIFFERENT GEAR AND BLOCK DESIGN

43	1183413	43N-950M	CROSSWIND BLOCK, NEWER
44C	1183462	44-750	CROSSWIND SCREW (2 REQUIRED)
43A	1183427	43A-750N	CROSSWIND BLOCK PLATE, NEWER
231	1185097	231-950M	CROSSWIND GEAR (Graphite)

This is actually the same design as the older SS reels, More strength in the shaft this way.

NOTE: 39-950M spool shaft is still currently coming in with the hole for the screw in the shaft. Eventually, Penn will be releasing shafts with no holes in them. You can add strength to the existing 43-950M crosswind block by adding the 44-750 screws with the 43A-750N plate.

NOTE: DESIGN OF GEAR/BLOCK IS TOO DIFFERENT YOU CANNOT MIX OLD AND NEW IF CHANGING GEAR OR BLOCK, ORDER ALL NEW IF YOU HAVE THE OLDER BRASS CROSSWIND GEAR

CLUTCH BEARING ASSEMBLY (aka A/R Bearing)

98B	NLA	98B-950M	BEARING	98C	1192219	98C-950M	CLUTCH BEARING ASSEMBLY
98S	NLA	98S-950M	CLUTCH BEARING SLEEVE				

98C ASSEMBLY REPLACES 98B and 98S

SERVICE NOTE

**** We gave the 8A shims we found in the reel the part number 8A-950M However, they did not appear on the orig. schematic and we believe them to be a factory last minute assembly throw in part. They may never become available to order.

MYSTIC REEL PARTS REVISION!

NOTE: Many of www.mysticparts.com schematics include changes that were either made by Penn, or errors found and corrected by our parts dept.
MRP Ver 101922 (BASED ON PENN'S REV. 6 4-10-12)