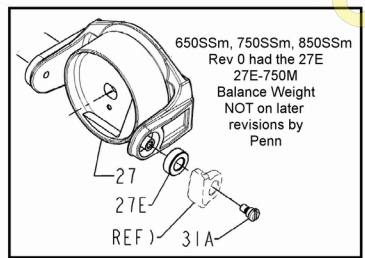
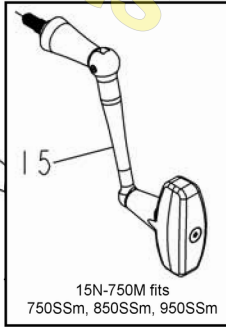
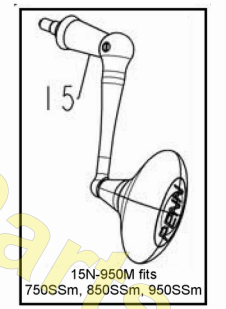
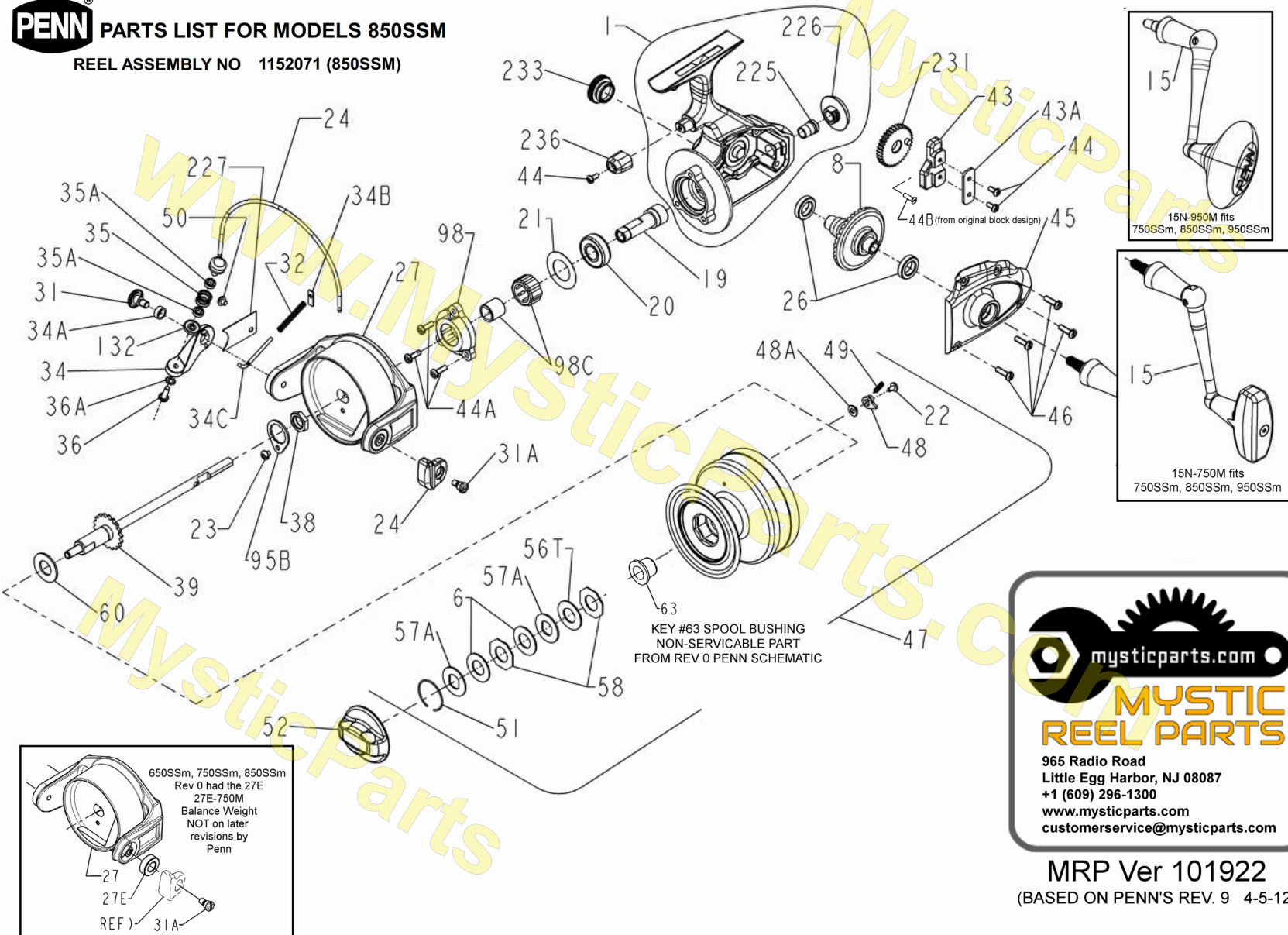


PENN PARTS LIST FOR MODELS 850SSM

REEL ASSEMBLY NO 1152071 (850SSM)



mysticparts.com
MYSTIC REEL PARTS
965 Radio Road
Little Egg Harbor, NJ 08087
+1 (609) 296-1300
www.mysticparts.com
customerservice@mysticparts.com

MRP Ver 101922
(BASED ON PENN'S REV. 9 4-5-12)

Penn Reel Parts list for Model: 850SSm Metal Series

KEY PUREFISHING PART

NO	7 DIGIT #	NO.	DESCRIPTION
1	1180553	1-850M	HOUSING
6	1180906	6-60	DRAG WASHER HT-100 (2 REQUIRED)

8, 19 Gearing see info below

15 See HANDLE DESIGN info below

20	1181790	20-704	BALL BEARING
21	1192639	21-750M	BEARING COVER

22 See SPOOL CLICK SCREW info below

23	1181953	23-750	LOCKING PLATE SCREW
24	50040	24-850M	BAIL WIRE (old 24-750M)
26	1182133	26A-2.5FR	BALL BEARING (2 REQUIRED)
27	1182070	27-850M	ROTOR
31	1182679	31-750M	BAIL ARM SCREW
31A	1182689	31A-550G	BAIL CAM SCREW
32	1182740	32-750M	BAIL ARM SPRING
34	1182833	34-750M	BAIL ARM
34A	1182847	34A-750	BAIL ARM BUSHING
34B	1182848	34B-750M	PIVOT PLATE
34C	1191657	34C-750M	PIVOT ARM
35	1191677	35-750M	LINE ROLLER
35A	1182965	35A-8500J	BALL BEARING (2 REQUIRED)
36	1183016	36-750	BAIL STUD SCREW
36A	1183032	36A-750	LOCK WASHER
38	1183157	38-710	ROTOR NUT
39	1191757	39-750M	SPOOL SHAFT

43, 44C, 43A SEE Crosswind Block design change below

44	1183462	44-750	TRIP BUMPER SCREW
44A	1183459	44-710	CLUTCH HOUSING SCREW (3 REQUIRED)

KEY PUREFISHING PART

NO	7 DIGIT #	NO.	DESCRIPTION
45	1191884	45-850M	HOUSING COVER
46	1183576	46-750	HOUSING COVER SCREW (4 REQUIRED)
47	1191950	47-850M	SPOOL (COMPLETE)
48	1183715	48-750	CLICK TONGUE
48A	1183722	48A-750	CLICK TONGUE WASHER
49	1183741	49-710	CLICK TONGUE SPRING
50	1183766	50-712	BAIL SPRING COVER SCREW
51	1183795	51-704	RETAINING RING
52	1183837	52N-750M	DRAG KNOB (old 52-750)
56T	1183918	56T-704	DRAG WASHER, TEFLON
57A	1183942	57A-750	DRAG WASHER (KEYED) LARGE DIA (2 REQUIRED)
58	1183960	58-704	DRAG WASHER (OCTAGON) (2 REQUIRED)
60	1192063	60-750M	THRUST WASHER
95B	1184312	95B-70	ROTOR LOCKING PLATE
98	1192202	98-750M	CLUTCH HOUSING

98C SEE Clutch Bearing info below

132	1184596	132-750M	ROLLER WASHER
225	1185007	225-750	SPOOL SHAFT BUSHING
226	1192464	226-750M	REAR CAP
227	1192487	227-750M	BAIL SPRING COVER
231	1185094	231-750M	CROSSWIND GEAR
233	1185145	233-550G	BEARING COVER (CLOSED)
236	1192531	236-750M	TRIP BUMPER
**	NLA	237-850SSm	Decal, Housing ("Penn 850SSm")
**	NLA	238-850SSm	Decal, Housing (Reel Speed)
**	NLA	240-850SSm	Decal, Spool (Line Capacity)

**** not shown on schematic**

Main and Pinion Gears Change

8	1192202	8-750M	MAIN GEAR	8	1181138	8P-7500	MAIN GEAR (Aluminum w/Brass Shaft)
19	1181714	19-750M	PINION	19	1181714	19-750M	PINION

Penn changed the part # of the main gear on later revisions, but the gears appear identical so maybe just entered in system with 2 part #s

SPOOL CLICK SCREW CHANGED

22	1181922	22-750	SPOOL CLICK SCREW w/straight pan head (EARLY REELS)
	1186969	48B-750M	SPOOL CLICK SCREW w/phillips flat head (LATER REELS) LOWER PROFILE

SCREWS 4-40X .187 LONG -- SCREWS APPEAR TO BE INTERCHANGEABLE BUT THE PHILLIPS HEAD SITS LOWER

KEY PUREFISHING PART
 NO 7 DIGIT # NO. DESCRIPTION

KEY PUREFISHING PART
 NO 7 DIGIT # NO. DESCRIPTION

Crosswind Block Design Change

ORIGINAL DESIGN SINGLE SCREW

43	1183406	43-750M	CROSSWIND BLOCK ORIGINAL
44B	1183454	44-560	SCREW FOR CW BLOCK / shaft
43A	NLA	43A-750	CROSSWIND BLOCK PLATE ORIGINAL

This design screws a single screw through the block into the shaft. It puts too much pressure on the shaft.

NEWER DESIGN DUAL SCREWS

43	1183406	43N-750M	CROSSWIND BLOCK, NEWER
44C	1183462	44-750	CROSSWIND SCREW (2 REQUIRED)
43A	1183427	43A-750N	CROSSWIND BLOCK PLATE, NEWER

This is actually the same design as the older SS reels, More strength in the shaft this way.

NOTE: 39-750M spool shaft is still currently coming in with the hole for the screw in the shaft. Eventually, Penn will be releasing shafts with no holes in them. You can add strength to the existing 43-750M crosswind block by adding the 44-750 screws with the 43A-750N plate.

CLUTCH BEARING ASSEMBLY (aka A/R Bearing)

98B	NLA	98B-5600	BEARING	98C	1184384	98C-750M	CLUTCH BEARING ASSEMBLY
98S	NLA	98S-750M	CLUTCH BEARING SLEEVE				

98C ASSEMBLY REPLACES 98B and 98S

HANDLE DESIGN Cosmetic Changes

15	1181512	15N-950M	HANDLE ASSEMBLY Football Knob GEN 2 (Fits 750SSm, 850SSm and 950SSm)
----	---------	----------	---

ALSO COMPATIBLE WITH:

15	1191192	15N-750M	HANDLE ASSEMBLY Flat Knob Gen 2
		15-750M-H	HANDLE ONLY
15B	NLA	15B-750M	DUAL PIVOT
15C		15C-- ??	PIVOT SCREW, UNKNOWN #
16	NLA	16-750M	COLLAR

At least 2 Generations of Cosmetic Changes to the HANDLE knobs and collars
 GEN 1 Flat plain rubberized knob and straight line angled outward collar
 GEN 2 Flat rubberized knob WITH GRIP and swooping to outward lip collar
 GEN 2 Football rubberized knob WITH GRIP and swooping to outward lip collar

Parts non-servicable or design changed

27E	1191470	27E-750M	BALANCE WEIGHT
-----	---------	----------	----------------

27E was on the rev 0 schematic but removed after rev 5?

63	NLA	63-750	SPOOL BUSHING
----	-----	--------	---------------

63 was on the rev 0 schematic but has never been available

MYSTIC REEL PARTS REVISION!

NOTE: Many of www.mysticparts.com schematics include changes that were either made by Penn, or errors found and corrected by our parts dept.
 MRP Ver 101922 (BASED ON PENN'S REV. 9 4-5-12)