

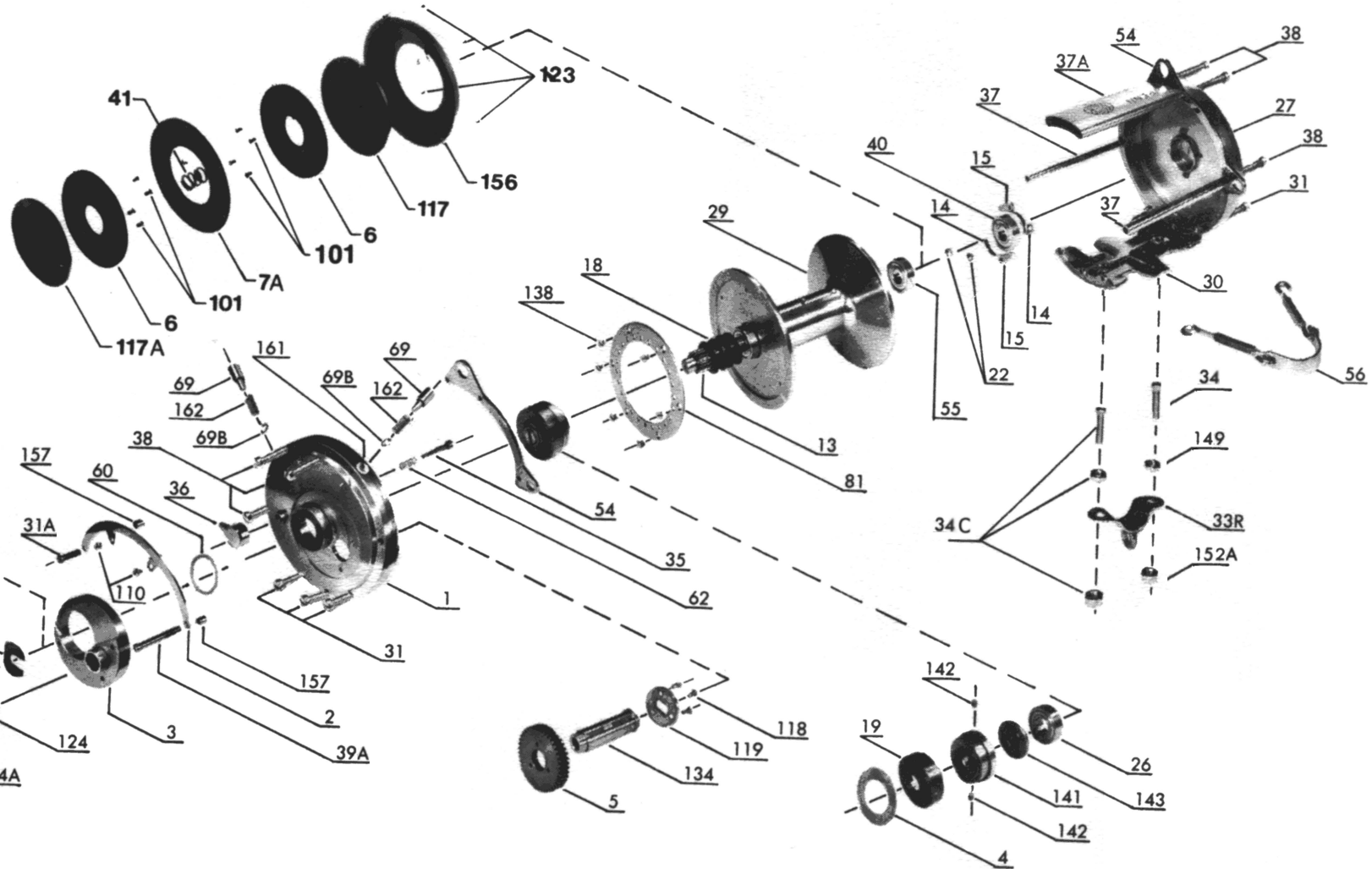
www.PENNparts.com

**Scott's Bait & Tackle**

Penn Parts Dept.  
945 Radio Road  
Tuckerton NJ 08087  
(609) 296-1300  
No Minimum Order!  
Plus, Parts in stock  
that Penn doesn't  
carry anymore.

# PARTS LIST FOR INTERNATIONAL 80W

**PENN  
REELS**



SBT Version 052312

Penn Reel Parts list for:

Model: 80W International

**KEY PART**

NO	NO.	DESCRIPTION
1	1-80	RIGHT SIDE PLATE ASSEMBLY
2	2-80	QUADRANT RING
3	3-80	BRIDGE
4	4-50	CAM THRUST WASHER (OLD #4-80)
5	5-80	MAIN GEAR
<b>6</b>	<b>6-50 ***</b>	<b>DRAG WASHER</b>
6A	6-155	LEATHER SPACER WASHER
7A	7A-80	FLOATING DRAG WASHER
9	9-80	SLEEVE SPACER
13	13-80W	PINION GEAR
14	14-50	FLAT DOG SPRING
15	15-50	DOG
18	18-80W	DISC CLUTCH SPRING
18A	95A-20	CLICK BUSHING WASHER (N/S)
19	19-80	ECCENTRIC CAM
21	21-80	ECCENTRIC LEVER
22	22-109	DOG SPRING SCREWS
23	23-116	HANDLE SCREW
24	24-80	HANDLE COMPLETE
26	55-80	RIGHT SIDE BEARING
27	27-80	L.S. PLATE ASSEMBLY
29	29L-80SW	SPOOL
30	30-80W	STAND
31	31-80	STAND SCREWS (6)
31A	31-20	SHORT QUADRANT SCREW
33R	33R-116	RINGED ROD CLAMP
34	34-116	ROD CLAMP SCREW W/NUT
35	35-80	CLICK TONGUE
36	36-50	CLICK BUTTON
36A	36-700	CLICK BUTTON NUT
37	37-80W	FRAME POST
37A	37A-80W	SPACER BAR
38	38-80	POST SCREWS (7)
39	39-12	BRIDGE COVER SCREWS (3 REQ.)
39A	39-50	SPECIAL POST SCREW LONG
40	55-80	LEFT SIDE BEARING
41	41-50	LEFT SIDE BEARING SPRING

**KEY PART**

NO	NO.	DESCRIPTION
54	54-82	HARNESS LUGS (2)
55	55-80	SPOOL BEARING (2)
56C	56C-80ST	ROD BRACE
59	59-50	SLOTTED WASHER
60	60-50	BACKING WASHER
62	62-50	CLICK SPRING
69	69-50	LOCATING PINS (2)
69B	69B-50	RETAINING RINGS (2)
81	**81-80S	RATCHET
95	95-80	CLICK TONGUE BUSHING
95B	38-710	CLICK BUSHING NUT
101	101-30	DRIVE PLATE SCREW (8)
110	110-50	HANDLE LOCK SCREWS (3)
110A	110A-50	HANDLE LOCKING PLATE
112	112-50	ECCENTRIC LEVER KNOB
112A	112A-50	ECCENTRIC KNOB SCREW
113	113-50	ECCENTRIC LEVER CAP
<b>117</b>	<b>117-80 ***</b>	<b>DRIVE PLATE (OUTER)</b>
<b>117A</b>	<b>117-80 ***</b>	<b>DRIVE PLATE (INNER)</b>
118	118-80	MAIN GEAR PLATE SCREW
119	119-80	MAIN GEAR PLATES
123	123-50	DRAG COVER SCREWS (4)
124	124-80	BRIDGE COVER
134	134-80	GEAR STUD
134A	134A-80	GEAR STUD WASHER
138	101-30	RATCHET SCREWS (6)
141	141-80	CAM FOLLOWER
142	142-80	CAM FOLLOWER PIN
143	143-80	ADJUSTING SCREW
144	144-50	PRE-SET KNOB
149	149-116H	ROD CLAMP HEX NUT
152A	149-116L	ROD CLAMP NUT
156	156-80	DRAG COVER
157	157-50	QUADRANT BUSHING (2 REQUIRED)
161	161-50	LOCATING PIN BUSHINGS (2)
162	162-50	LOCATING PIN SPRINGS (2)

NOTE: Many of www.pennparts.com schematics include changes that were either made by Penn, or errors found and corrected by our parts dept.  
SBT Version 052312

\*154 154-80 Shim, Spool Shaft

\* NOT SHOWN

\*\*On older reels predating 1989 using 29L-80W spool the ratchet number is 81-80

\*\*\* IMPORTANT INFO: PENN replaced the drag washer and drive plates for the newer international series reels with a combined drive plate. Penn did not manufacture a combined drive plate specifically for the older 80, 80W, 80S or 80SW reels

IF YOU NEED THE DRAG WASHER OR DRIVE PLATE(S): Our parts dept. at www.pennparts.com has found that: The 117AN-80T drive plate works as a substitute for the 117-80 plate w/6A-50 washer on the 80, 80W (The outside diameter is about 1/8" smaller but it will function).