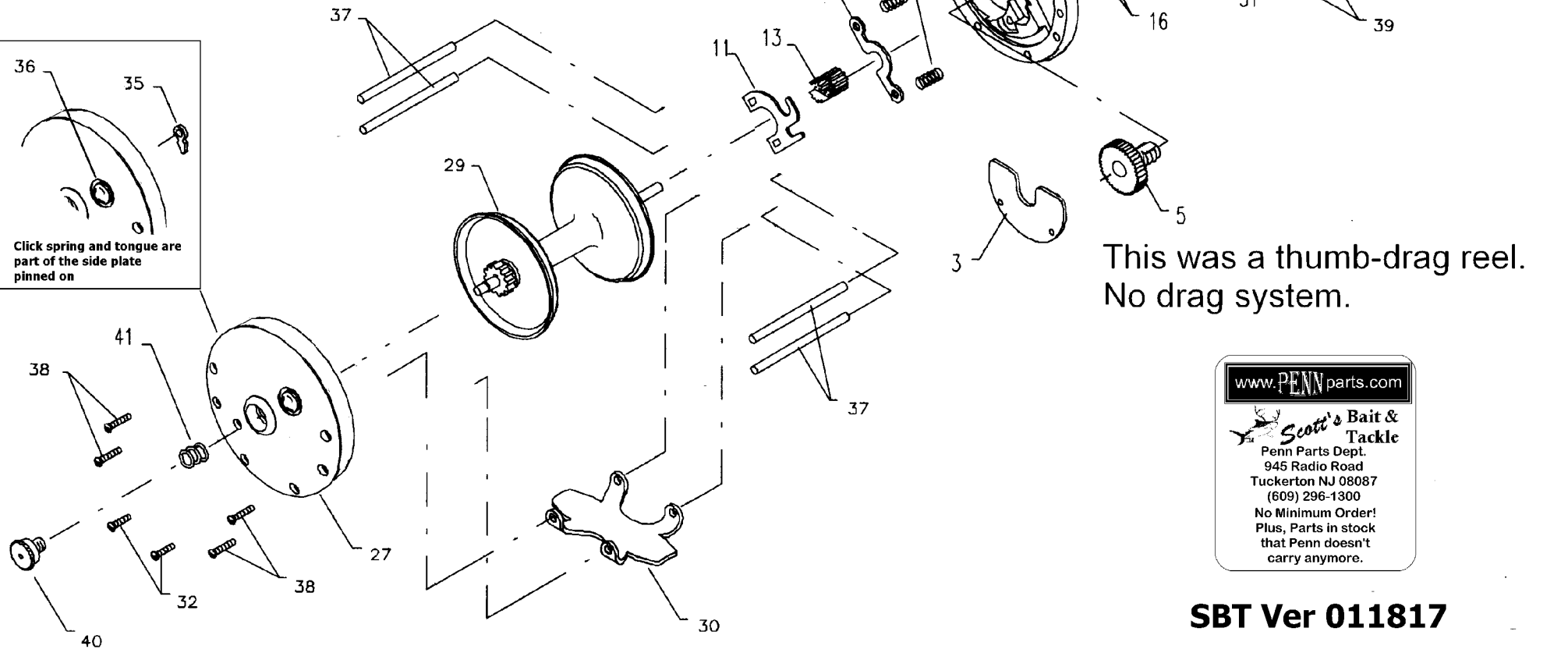
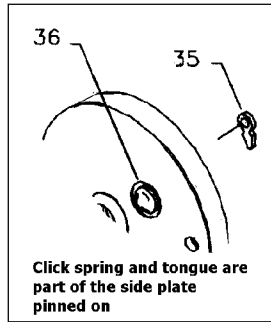


78 Sea-Scamp

Schematic built 11/28/03
by pennparts.com



This was a thumb-drag reel.
No drag system.

www.PENNparts.com

Scott's Bait & Tackle
Penn Parts Dept.
945 Radio Road
Tuckerton NJ 08087
(609) 296-1300
No Minimum Order!
Plus, Parts in stock
that Penn doesn't
carry anymore.

SBT Ver 011817

Penn Reel Parts list for:

Model: 78

Sea-Scamp

KEY	PART		KEY	PART	
NO	NO.	DESCRIPTION	NO	NO.	DESCRIPTION
1	1-78	R.S. PLATE	26	26-60	R.S. BEARING
3	3-78	BRIDGE W/ SLEEVE	27	27-78	L.S. PLATE
5	5-78	MAIN GEAR	29	29-78	PLASTIC SPOOL
11	11-78	ECCENTRIC JACK	30	30-78	STAND
12	12-60	PINION YOKE	31	32-18	R.S. STAND SCREW
13	13-85	PINION GEAR	32	32-16CH	L.S. STAND SCREW
16	16-78	LOWER BRIDGE SCREW	35	35-60	CLICK TONGUE
18	18-60	CLUTCH SPRING	36	36-60CH	CLICK BUTTON
19	19-60	ECCENTRIC	37	37-180	POST FRAME
20	20-60L	ECCENTRIC SPRING	38	38-8	L.S. POST SCREW
21	21-66	ECCENTRIC LEVER	39	39-5	R.S. POST SCREW
22	22-60CH	ECCENTRIC SCREW	40	40-60	L.S. BEARING
23	23-85	HANDLE SCREW	41	41-60	L.S. BEARING SPRING
24	24-85	COMPLETE HANDLE			
25	25-85	KNOB, RIVET & OILER			

NOTE: Many of www.pennparts.com schematics include changes that were either made by Penn, or errors found and corrected by our parts dept.
SBT Ver. 011817