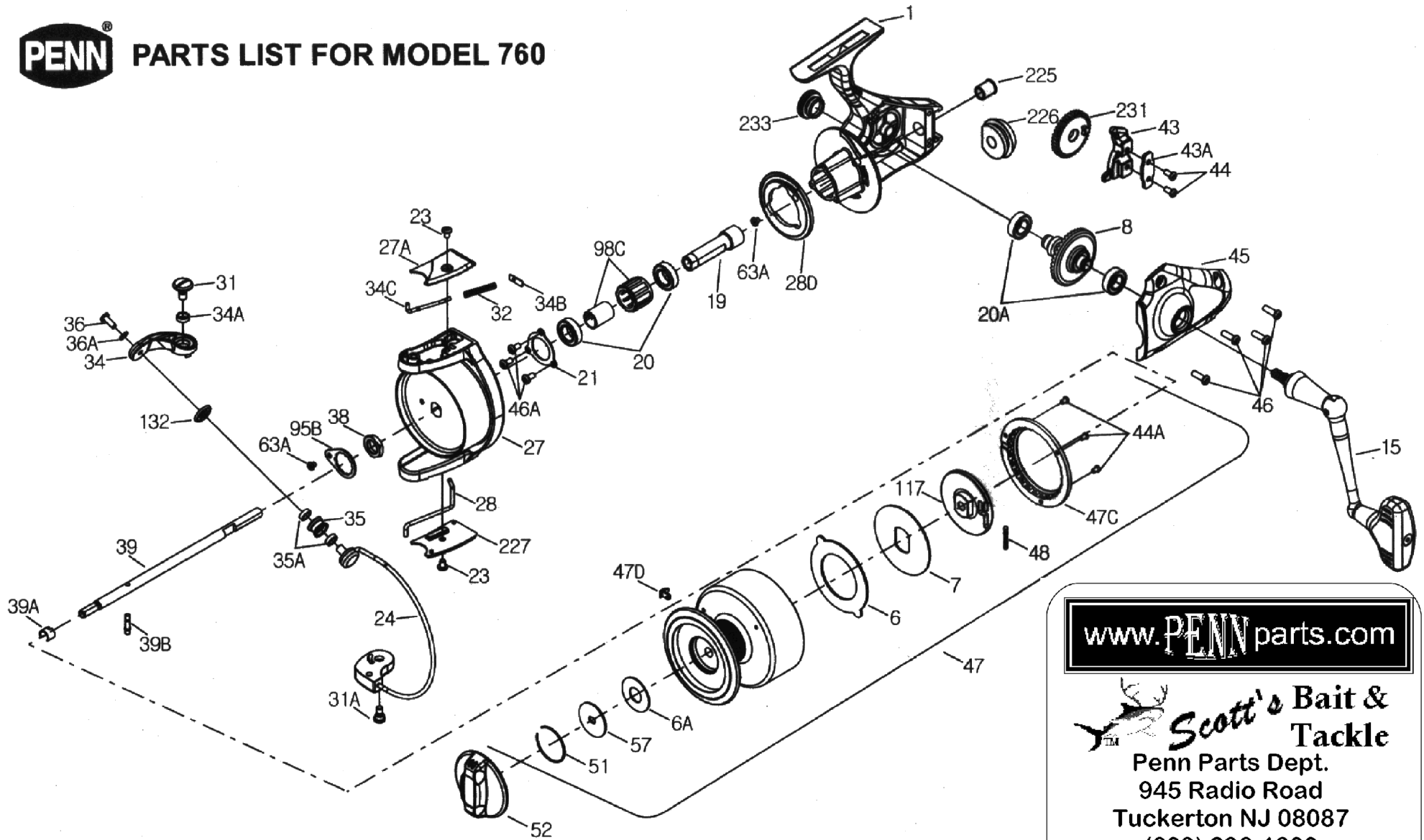




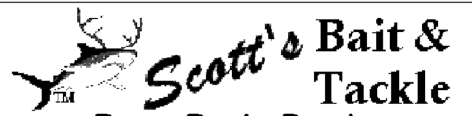
PARTS LIST FOR MODEL 760



SBT Ver. 091907

based on Penn's:
407-760 Rev-1-31-07

www.PENNparts.com



Penn Parts Dept.
945 Radio Road
Tuckerton NJ 08087
(609) 296-1300

No Minimum Order!
Plus, Parts in stock
that Penn doesn't
carry anymore.

Penn Reel Parts list for:

Model: 760 Slammer

KEY NO	PART NO.	DESCRIPTION	KEY NO	PART NO.	DESCRIPTION
1	1-760	HOUSING	39	39-760	SPOOL SHAFT
6	6-950M	LARGE DRAG WASHER HT-100	39A	39A-760	LOCATING PIN CLIP
6A	6-309	SMALL DRAG WASHER HT-100	39B	39B-760	LOCATING PIN
7	7-760	LARGE KEYED METAL DRAG WASHER	43	43-760	CROSSWIND BLOCK
8	8-760	MAIN GEAR	43A	43A-750	CROSSWIND BLOCK PLATE
8A	8A-760	SHIM	44	44-750	SCREW, CROSSWIND BLOCK (2 REQUIRED)
15	15N-750M	HANDLE	44A	44-5600	SCREW, DRAG COVER (3 REQUIRED)
19	19-760	PINION	45	45-760	HOUSING COVER
20	20-760	BALL BEARING (2 REQUIRED)	46	46-750	SCREW, HOUSING COVER (4 REQUIRED)
20A	20-6500	BALL BEARING (2 REQUIRED)	46A	46A-704	SCREW, BEARING COVER (3 REQUIRED)
21	21-760	BEARING COVER	47	47-760	SPOOL (COMPLETE)
23	23-750	SCREW (2 REQUIRED)	47C	47C-760	DRAG COVER
24	24-760	BAIL WIRE	47D	47D-5600	LINE CLIP
27	27-760	ROTOR CUP	48	48-5600	CLICK TONGUE W/SPRING
27A	27A-760	BAIL PIVOT COVER	51	51-760	RETAINING RING
28	28-760	TRIP LEVER	52	52-760	DRAG KNOB (COMPLETE)
28D	28D-760	FRICTION RING	57	57-760	SMALL DRAG WASHER (KEYED)
31	31-750M	BAIL ARM SCREW	59	59-760	DRAG KNOB PLATE
31A	31A-550G	BAIL CAM SCREW	63A	63A-2.5FR	SCREW (2 REQUIRED)
32	32-750M	BAIL SPRING	95B	95B-950M	ROTOR LOCKING PLATE
34	34-760	BAIL ARM	98C	98C-760	CLUTCH BEARING ASSEMBLY
34A	34A-750	BAIL ARM BUSHING	117	117-760	DRIVE PLATE
34B	34B-5600	PIVOT PLATE	132	132-950M	LINE ROLLER WASHER
34C	34C-760	PIVOT ARM	225	225-760	CROSSWIND SHAFT BUSHING
35	35-950M	LINE ROLLER	226	226-760	REAR CAP
35A	35A-950M	BALL BEARING (2 REQUIRED)	227	227-760	BAIL TRIP COVER
36	36-750	BAIL STUD SCREW	231	231-760	CROSSWIND GEAR
36A	36A-750	LOCK WASHER	233	233-550G	BEARING COVER
38	38-9500	ROTOR NUT			

NOTE: Many of www.pennparts.com schematics include changes that were either made by Penn, or errors found and corrected by our parts dept.

SBT Ver. 092207 (Based on Penn's 407-760 Rev. 1-31-07)