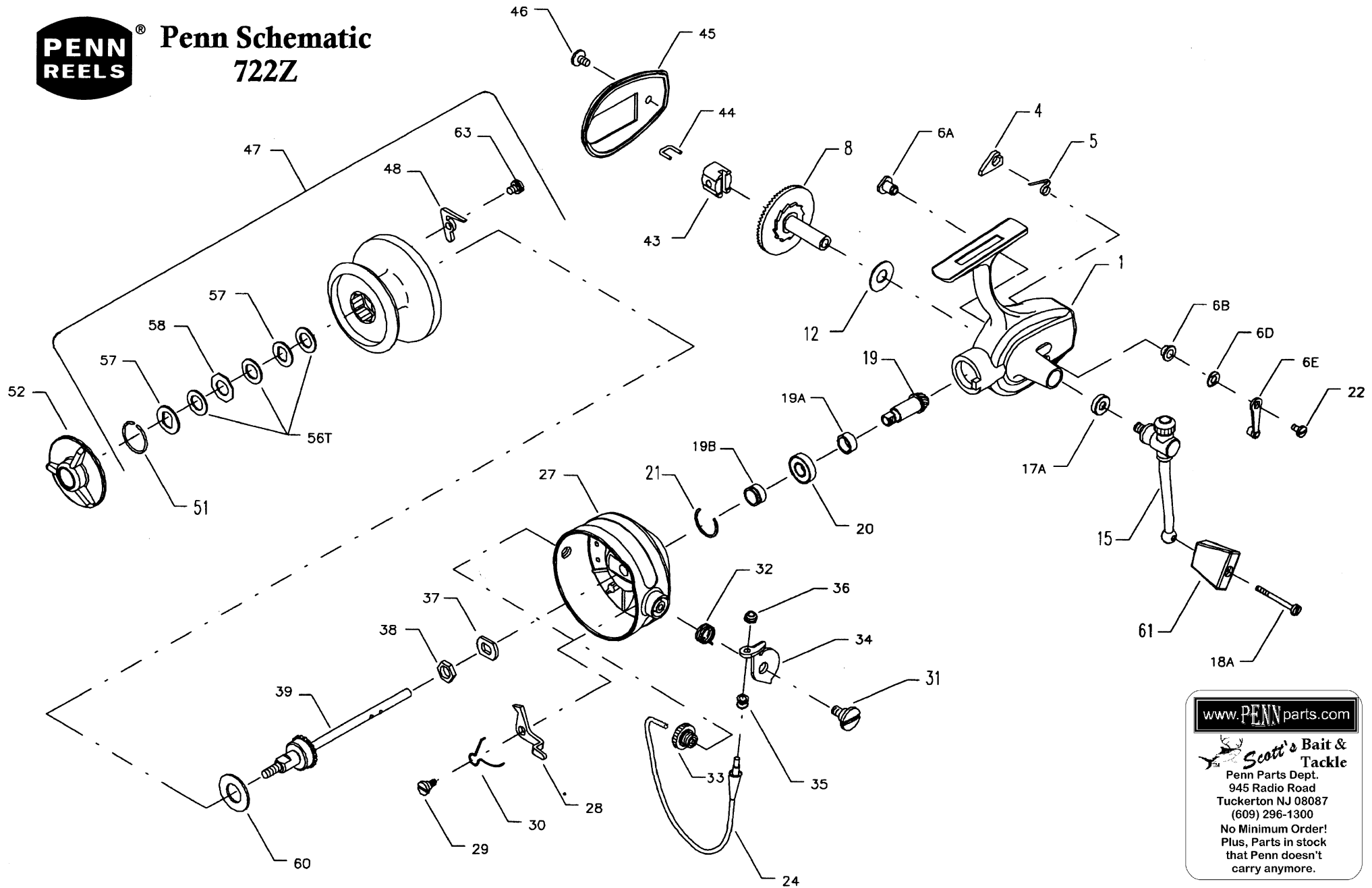




Penn Schematic 722Z



www.PENNparts.com
Scott's Bait & Tackle
Penn Parts Dept.
945 Radio Road
Tuckerton NJ 08087
(609) 296-1300
No Minimum Order!
Plus, Parts in stock
that Penn doesn't
carry anymore.

Penn Reel Parts list for Model: 722Z

KEY PART			KEY PART		
NO	NO.	DESCRIPTION	NO	NO.	DESCRIPTION
1	1-722	HOUSING W/ BUSHING	31	31-710	BAIL SCREW
4	4-720	DOG	32	32-720	BAIL SPRING
5	5-720	DOG SPRING	33	33A-722	BAIL NUT
6A	6A-720	ECCENTRIC	35	35-720	LINE ROLLER
6B	6B-720	ECCENTRIC LINER	36	36-700	BAIL LOCK NUT
6D	6D-720	ECCENTRIC SPRING	37	37-720	ROTOR CUP WASHER
6E	6E-710	ECCENTRIC LEVER	38	38-720	ROTOR CUP NUT
8	8-722	MAIN GEAR W/ RATCHET	39	39-720	SPOOL SHAFT
12	12-722	MAIN GEAR THRUST WASHER	43	43-720	CROSSWIND BLOCK
15	15-722	HANDLE ASSEMBLY (COMPLETE)	44	44-720	CROSSWIND CONNECTOR
17A	17A-720	HANDLE COVER WASHER	45	45-722	HOUSING PLATE
18A	18A-720	HANDLE SCREW	46	46-720	HOUSING PLATE SCREW
19	19-722	PINION GEAR	47	47-720	SPOOL (COMPLETE)
19A	19A-722	GEAR END SPACER	48	48-720	CLICK TONGUE
19B	19B-722	ROTOR END SPACER	51	51-710	RETAINING SPRING
20	20-722	PINION BALL BEARING	52	52-720	DRAG KNOB
21	21-722	BEARING RETAINER	56T	56T-710	DRAG WASHER (TEFLON)
22	22-109	ECCENTRIC SCREW	57	57-720	METAL SLOT WASHER
27	27-720Z	ROTOR CUP	58	58-720	METAL WASHER (OCTAGON)
28	28-720	BAIL RELEASE ARM	60	60-712	REAR DRAG WASHER
29	29-720	BAIL RELEASE SCREW	61	61-720	HANDLE KNOB
30	30-720	BAIL RELEASE SPRING	63	63-349	CLICK SCREW

NOTE: Many of www.pennparts.com schematics include changes that were either made by Penn, or errors found and corrected by our parts dept.
SBT Ver 100214

722Z is the black/gold cosmetics
722 was the older version that came in green, blue, brown or black
All parts are interchangeable

Different design on the old BLUE 720, 722

24	24-720	BAIL WIRE	was narrower originally 68mm from side to side, newer is 82mm
34	34-720	BAIL ARM	bend in the arm went in closer to the reel on the narrower wire version 62mm = 2 7/16in from side to side, newer is 82mm = 3 15/64in