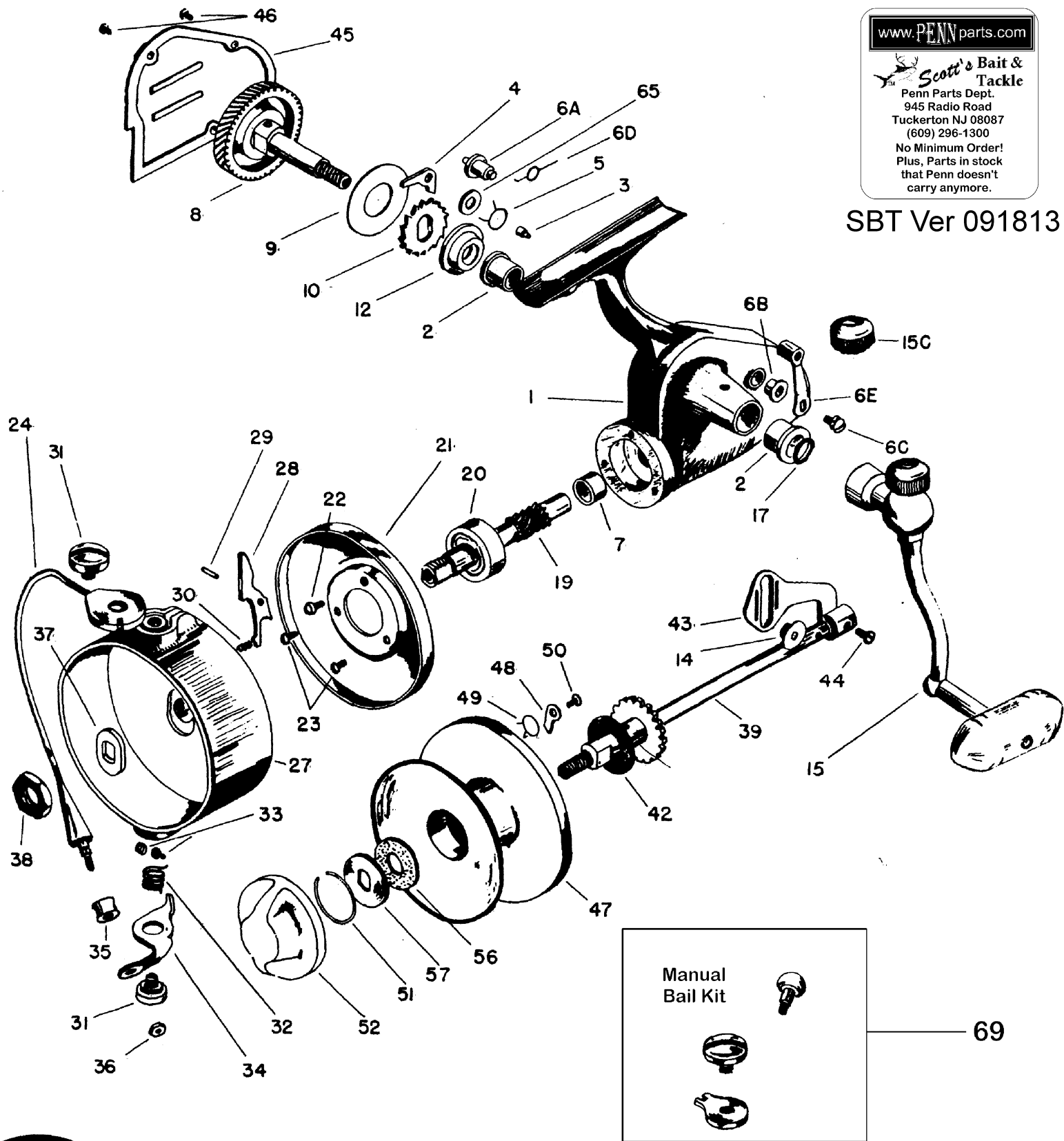


SBT Ver 091813



Penn Reel Parts list for Model: SPINFISHER 700

KEY PART			KEY PART		
NO	NO.	DESCRIPTION	NO	NO.	DESCRIPTION
1	1-700	HOUSING	29	29-700	BAIL RELEASE PIN
2	2-700	HANDLE SHAFT BUSHING	30	30-704	BAIL RELEASE SPRING
4	4-700	DOG	31	31-704	BAIL ARM SCREW (2-REQ.)
5	5-700	DOG SPRING	32	32-704	BAIL SPRING
6A	6A-700	ECCENTRIC	33	33-704	BUMPER
6B	6B-700	ECCENTRIC LINER	*	33-704SP	BUMPER WITH METAL CUP
6C	6C-700	ECCENTRIC SCREW	34	34-704	BAIL CAM
6D	6D-700	ECCENTRIC SPRING	35	35-704	LINE ROLLER
6E	6E-700	ECCENTRIC LEVER	36	36-700	BAIL LOCK NUT
7	7-700	PINION BUSHING	37	37-700	ROTOR CUP WASHER
8	8-700	MAIN GEAR AND SHAFT	38	38-700	ROTOR CUP NUT
9	9-700	RATCHET WASHER	39	39-700	SPOOL SHAFT AND RATCHET
10	10-700	RATCHET	42	42-700	REAR DRAG WASHER (TEFLON) (NEW NUMBER 60-710)
12	12-700	MAIN GEAR THRUST WASHER	43	43-704	CROSSWIND ARM
14	14-700	CROSSWIND ROLLER	44	44-704	CROSSWIND SCREW
15	15-700	HANDLE (COMPLETE)	45	45-700	HOUSING PLATE
17	17-700	HANDLE WASHER	46	46-700	HOUSING PLATE SCREW (3 REQ.)
19	19-700	PINION GEAR	47	47-700	SPOOL (COMPLETE)
19C	19C-700	PINION GEAR W/BALL BEARING	48	48-700	CLICK TONGUE
20	20-704	BALL BEARING	49	49-700	CLICK SPRING
21	21-700	BEARING COVER	50	50-704	CLICK SCREW
22	22-700	BAIL TRIP SCREW	51	51-700	RETAINING SCREW
23	23-700	BEARING COVER SCREW	52	52-700	DRAG KNOB
24	24-700	BAIL WIRE	56	56-700	DRAG WASHER (NEW NUMBER 56T-704)
27	27-700	ROTOR CUP	57	57-700	METAL DRAG WASHER (NEW NUM 57A-750)
27A	27A-700	COUNTER BALANCE	69	69-704	MANUAL BAIL PICKUP KIT
27B	27B-700	COUNTER BALANCE SCREW			
28	28-700	BAIL RELEASE ARM			

NOTE: Many of www.pennparts.com schematics include changes that were either made by Penn, or errors found and corrected by our parts dept.
SBT Ver 091813 - 704 useable parts for 700 updated.

Per Penn's 1989 schematic of the 704Z:

Note to owners of Penn Green series of Spinfishers.

All parts are interchangeable between the Green Series and the New Z series except parts 1, 15, 27, 45, 47, 52."

1, 15, 27, 45, and 52 where just differences in cosmetics - newer parts fit but are black.

Only on 47 does the difference become a problem, as the newer clicker does not seat the same. If you don't care about having the clicker, this isn't an iss