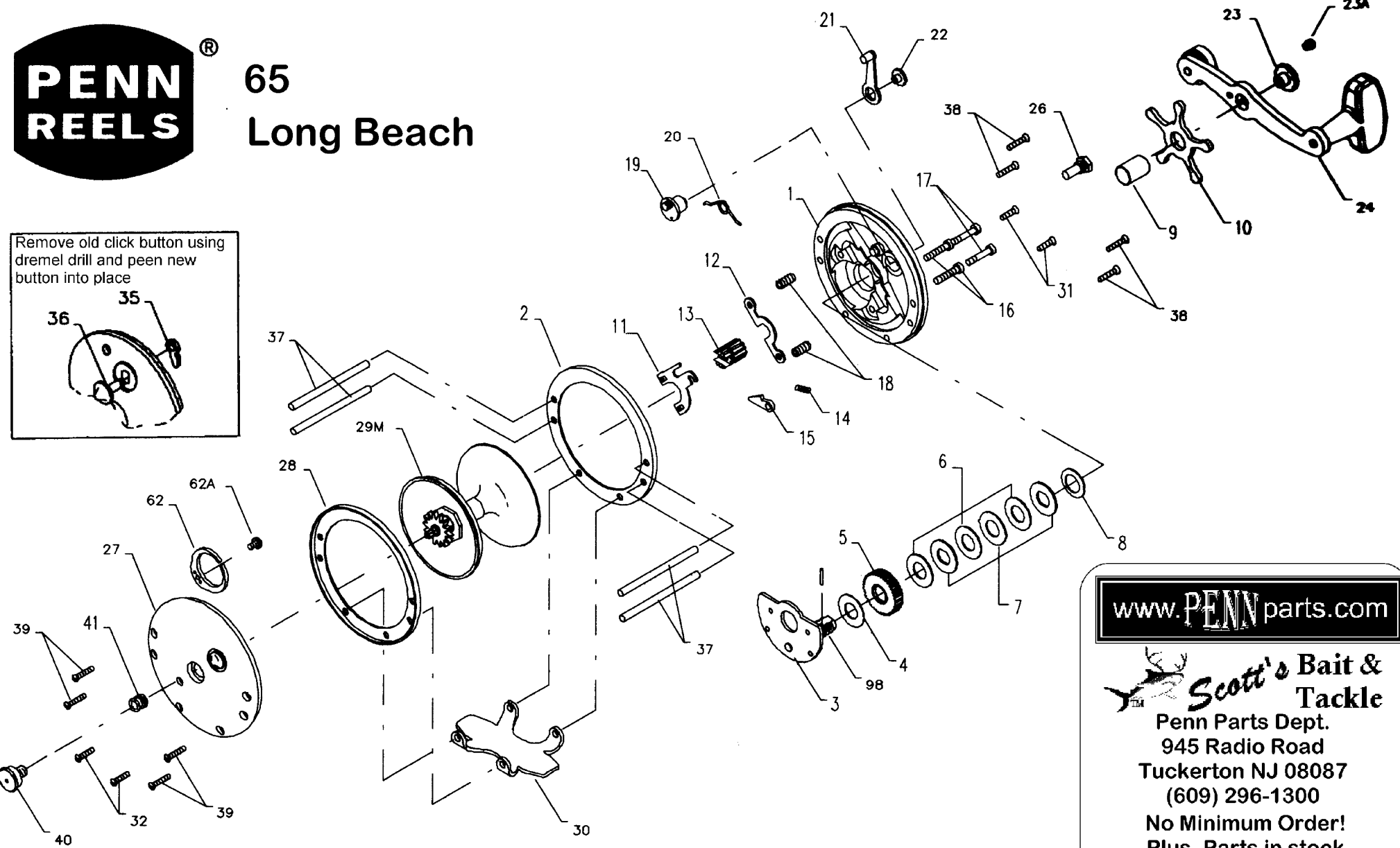
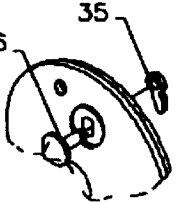


65 Long Beach

Remove old click button using dremel drill and peen new button into place



www.PENNparts.com

 **Scott's Bait & Tackle**

Penn Parts Dept.
945 Radio Road
Tuckerton NJ 08087
(609) 296-1300

No Minimum Order!
Plus, Parts in stock
that Penn doesn't
carry anymore.

Penn Reel Parts list for Model: 65 Longbeach

KEY NO.	PART NO.	DESCRIPTION	KEY NO.	PART NO.	DESCRIPTION
1	1-60	HANDLE SIDE PLATE	22	22-60CH	ECCENTRIC SCREW
2	2-60	HANDLE SIDE PLATE	23	23-60	HANDLE SCREW
3	3-66	BRIDGE W/ SLEEVE	23A	110-60	HANDLE LOCK SCREW
4	4-60	FIBER WASHER	24	24-66	HANDLE
5	5-60	MAIN GEAR	26	26-60	HANDLE SIDE BEARING
6	6-60	DRAG WASHER (3 REQ.)	27	27-65	NON-HANDLE SIDE PLATE ASSEMBLY
7	7C-60	METAL WASHER	28	28-60	NON-HANDLE SIDE RING
8	8-60	TENSION SPRING	29	29M-65	SPOOL
9	9-60	SPACING SLEEVE	30	30-65	STAND
10	10-60	STAR DRAG WHEEL	31	39-4CH	RIGHT/NON-HANDLE SIDE STAND SCREW
11	11-60	ECCENTRIC JACK	35	35-60	CLICK TONGUE
12	12-60	PINION YOKE	36	36-209	CLICK BUTTON
13	13-85	PINION	37	37-65	FRAME POST
14	14-99	DOG SPRING	38	39-5	RIGHT/NON-HANDLE SIDE POST SCREW
15	15-99	DOG	40	40-60	NON-HANDLE SIDE BEARING
16	16-60CH	LOWER BRIDGE SCREW (2 REQ.)	41	41-60	NON-HANDLE SIDE BEARING SPRING
17	17-60CH	UPPER BRIDGE SCRW (2 REQ.)	62	62-309	CLICK SPRING
18	18-60	CLUTCH SPRING (2 REQ.)	62A	63-209	CLICK SPRING SCREW
19	19-60	ECCENTRIC	98	98-60	GEAR SLEEVE
20	20-60L	ECCENTRIC SPRING			
21	21-285	ECCENTRIC LEVER			

NOTE: Many of www.pennparts.com schematics include changes that were either made by Penn, or errors found and corrected by our parts dept.
SBT Ver. 070415

Change: Older reels prior to 1953 used the 14-60 bent copper dog spring.
After 1953, this changed to the current 14-99 coiled dog spring.

CLICKER RELATED NOTES/PART CHANGE INFO

INSTALLATION:

To replace the click tongue on models where it is peened into place, use a dremel drill with a fine tip to remove the old click tongue and click button. Then peen the new 36-209 into place.

OPTIONAL:

Any reel that uses the 36-209 button can use:

36N-209 button and a 69B-600 removable c clip

This newer style is held by the clip instead of being peened in place.